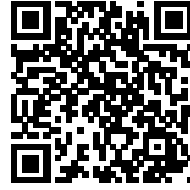
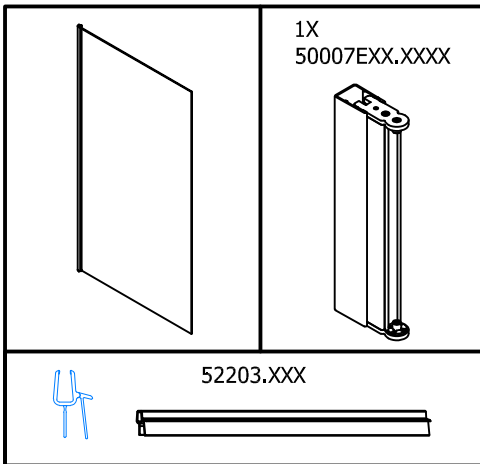
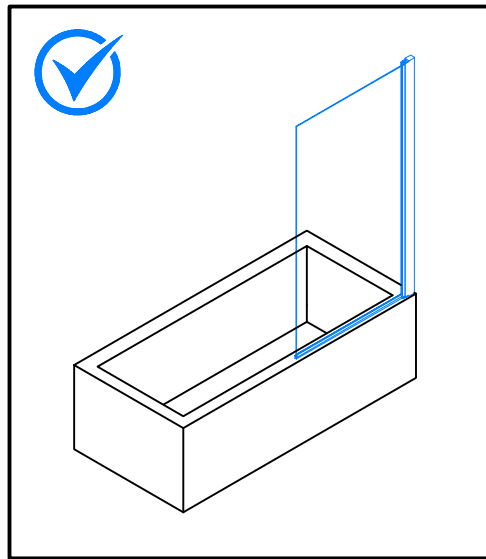
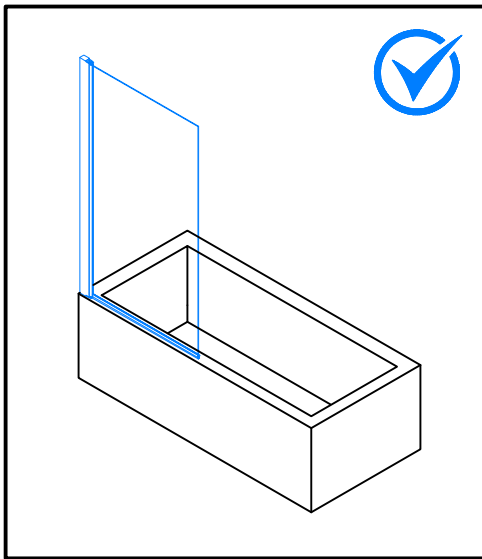



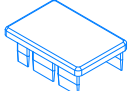






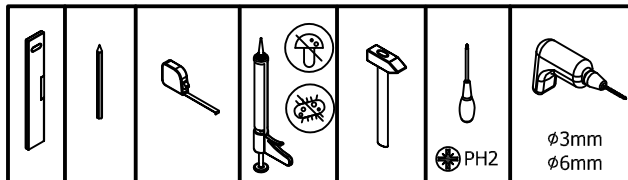
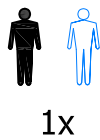
# 19812



D20B1

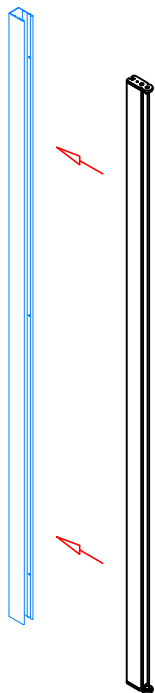


	 3 x 81254.XX	 3 x 81253	 1 x 51339.XX
	 3 x 14003 3.5x9.5mm	 3 x 14139 4.2x50mm	 3 x 16000 ø 6mm
	 1 x 11221		



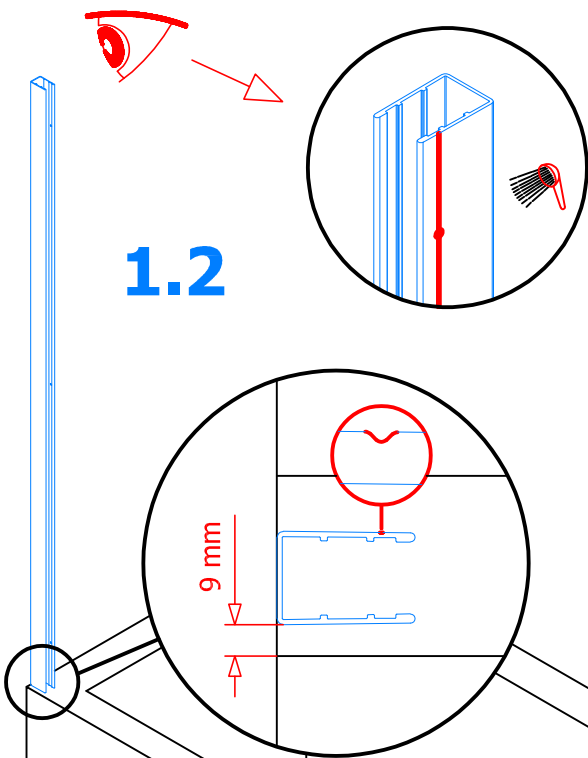
# 1.1

50012



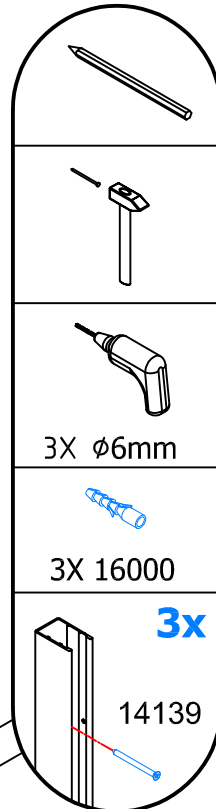
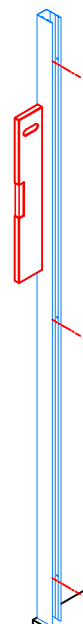
# 1.1 → 1.3

# 1.2



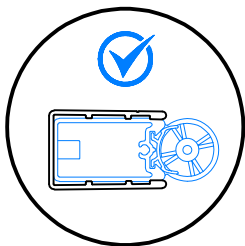
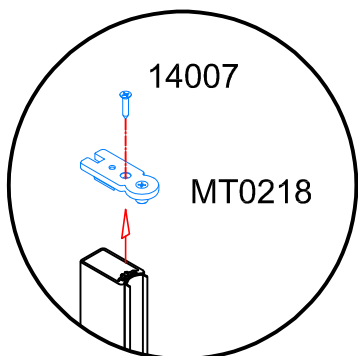
# 1.3

3X

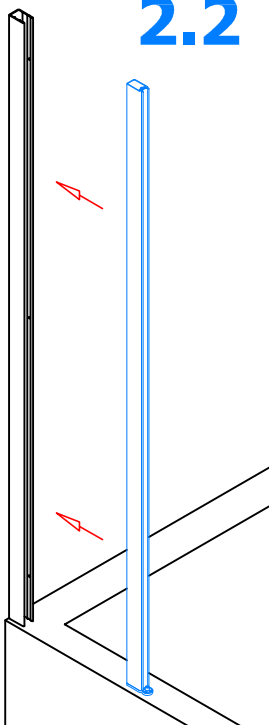


# 2.1 → 2.2

# 2.1

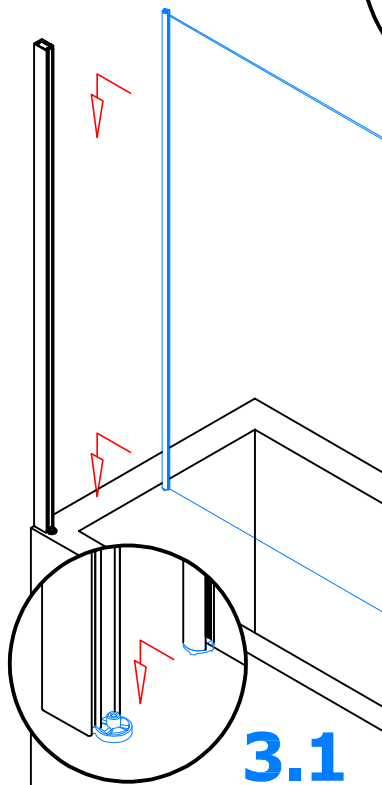


# 2.2



# 3.1 → 3.2

# 3.1



# 3.2

