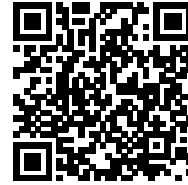
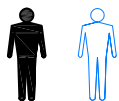
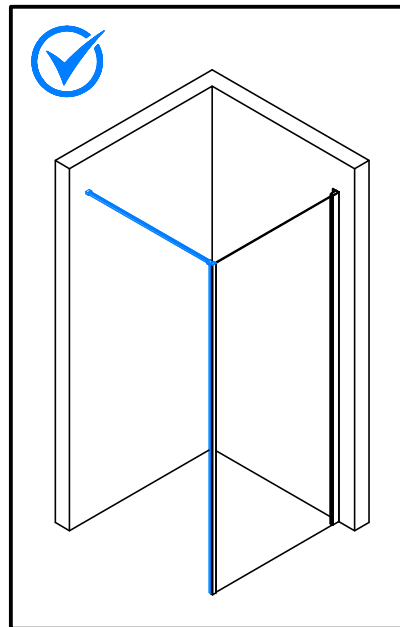
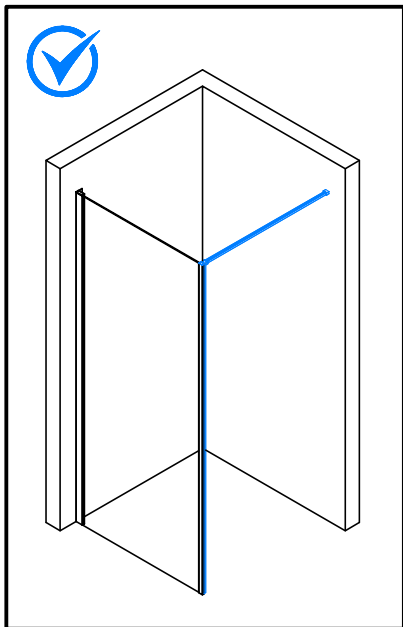


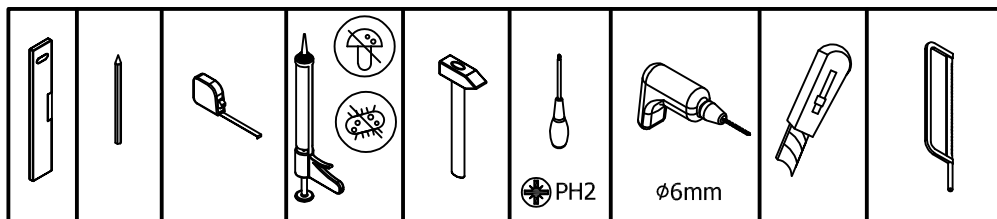
19829


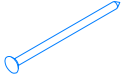

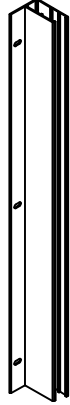







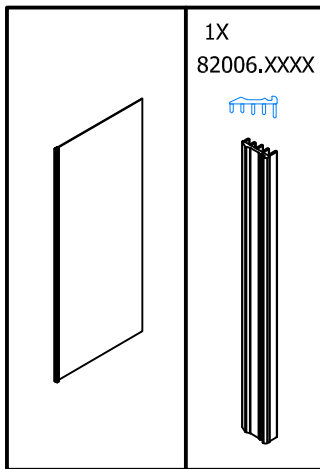
D20BTK1H + D20F1


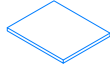
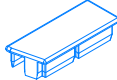
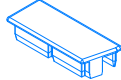


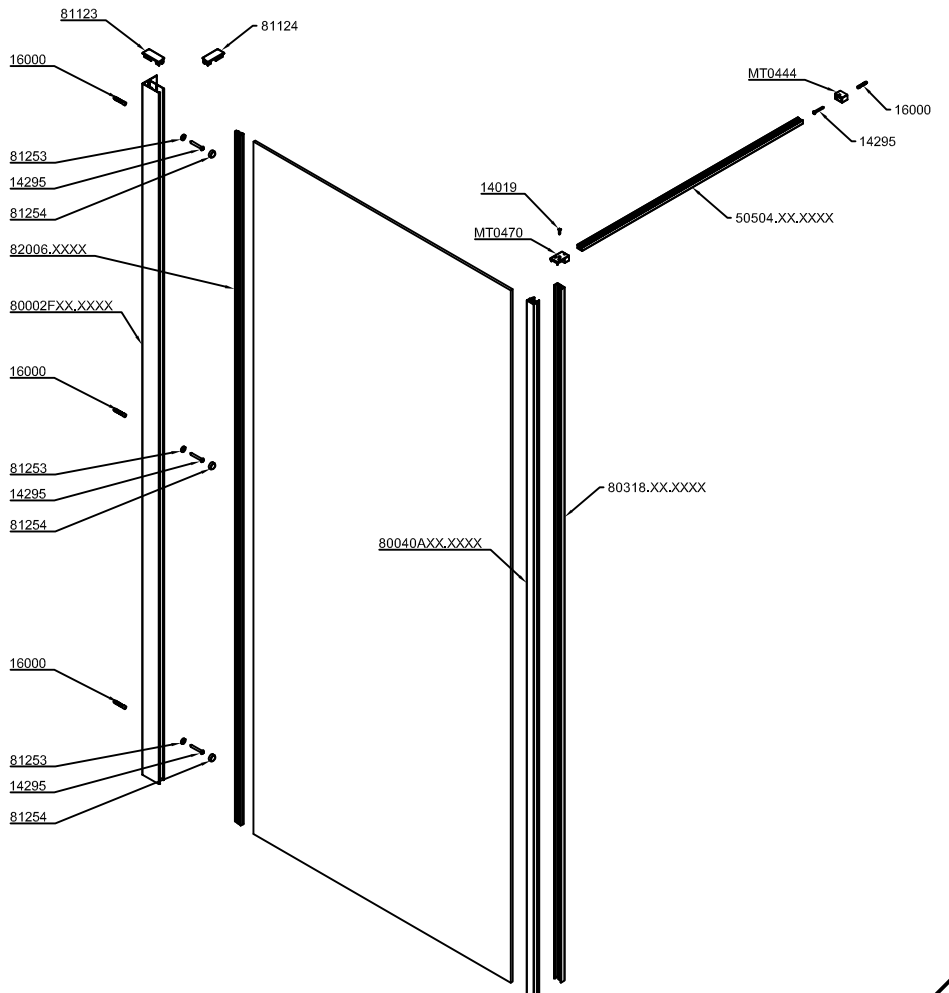
1x



	 1 x 11221	 4 x 14295 4.2X32mm	80002FXX.XXXX 	80318.XX.XXXX 	50504E6XX.XXXX 	
	 2mm - 17158	 4 x 16000 ø 6mm				
	 1 x 14019					

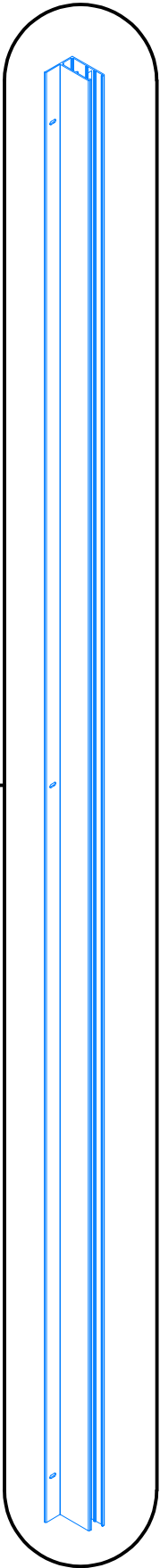
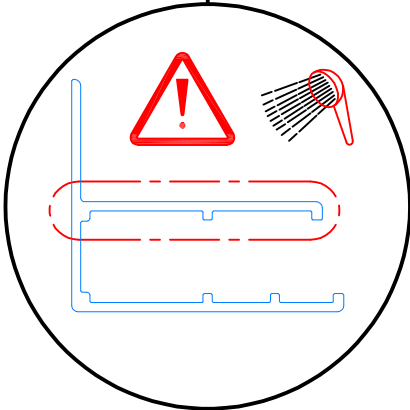
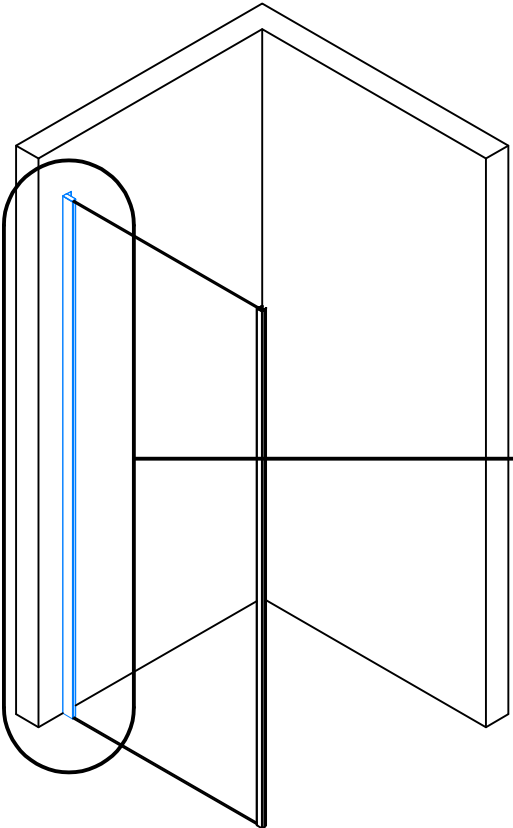
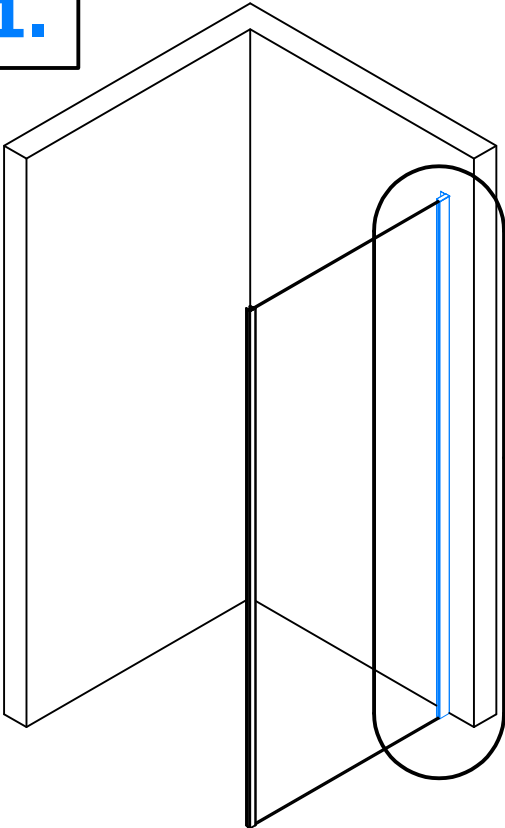


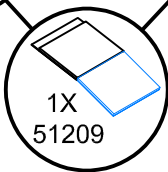
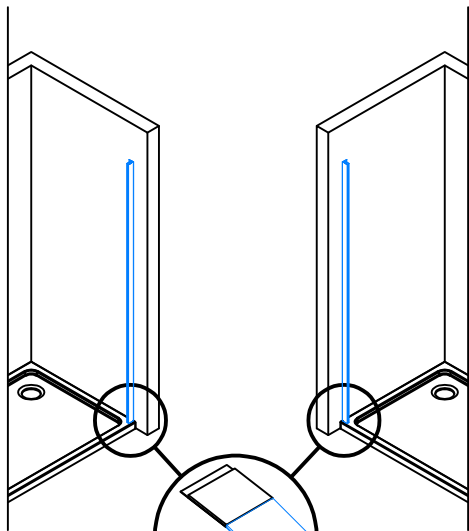
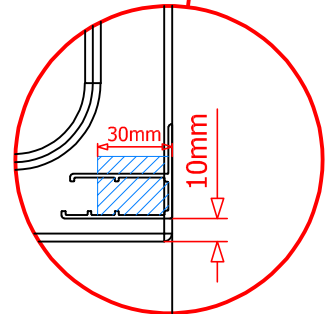
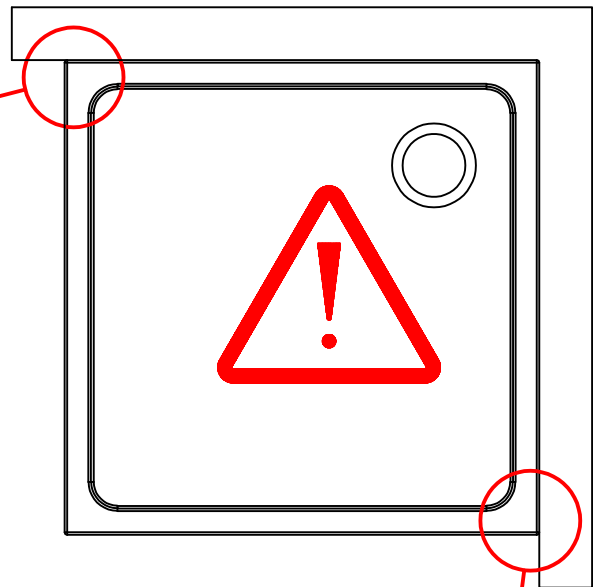
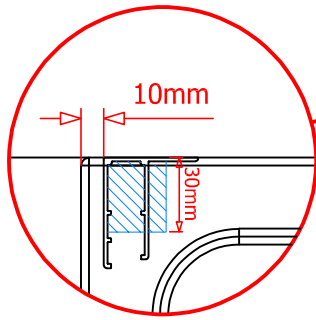
 1 x 81122.XX	 51209
 1 x 81123.XX	 1 x 81124.XX



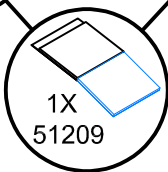
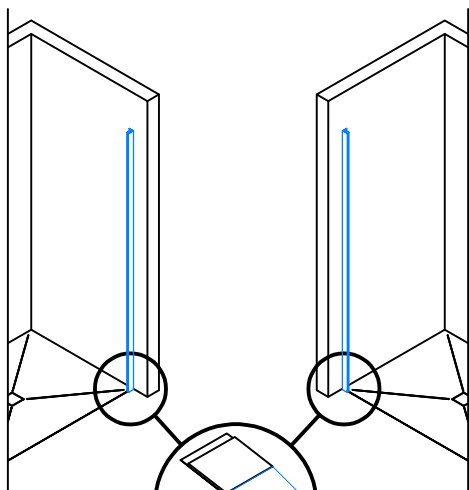
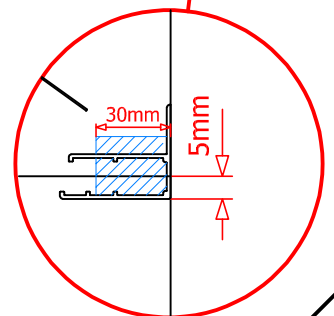
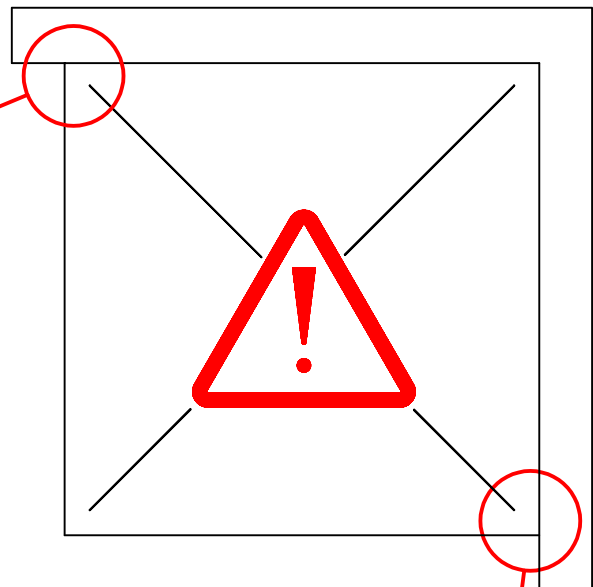
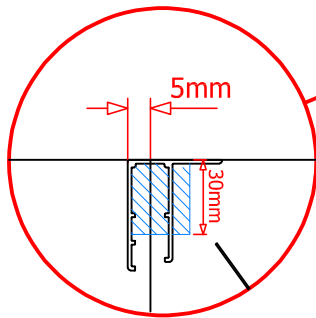
1.

80002FXX.XXXX

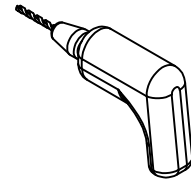
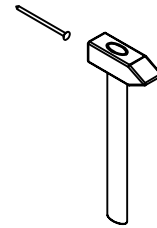
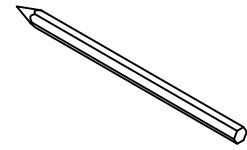
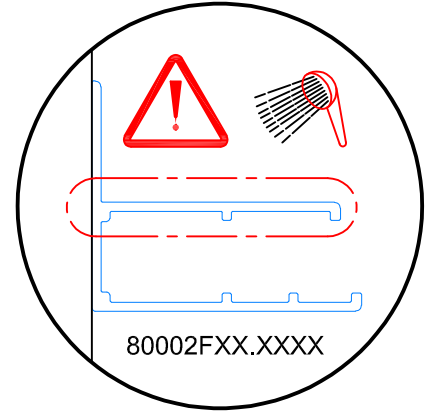
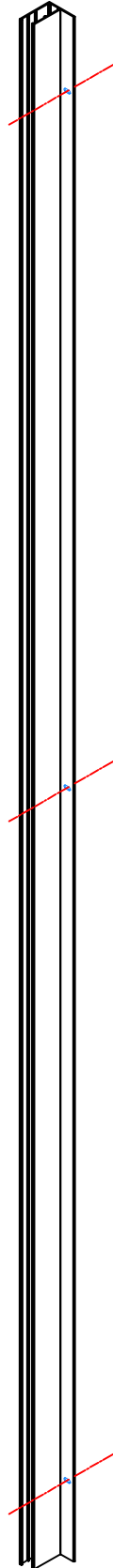
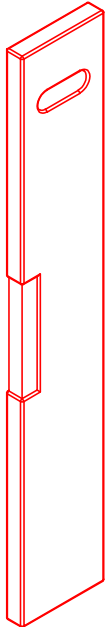




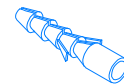
2.



3.

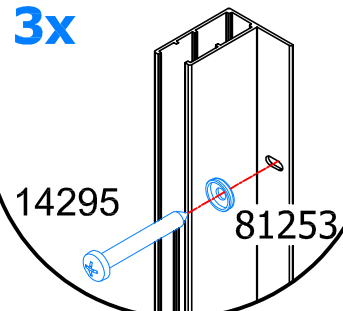


3X ϕ 6mm

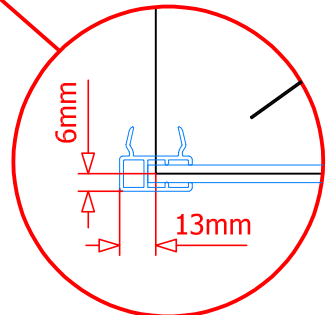
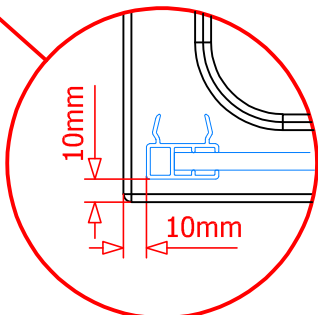
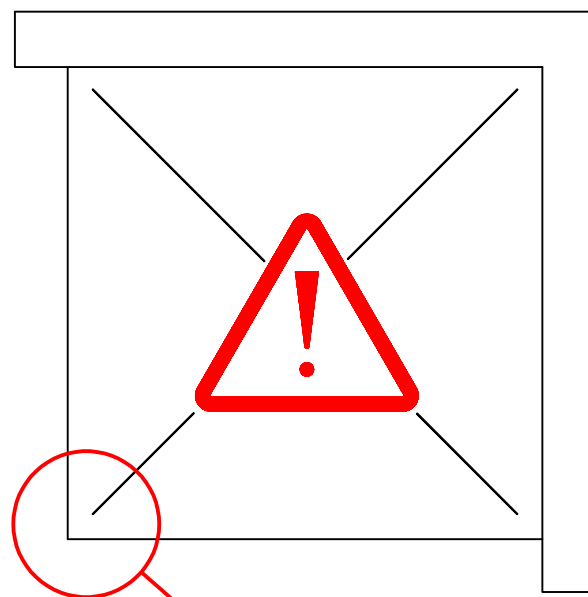
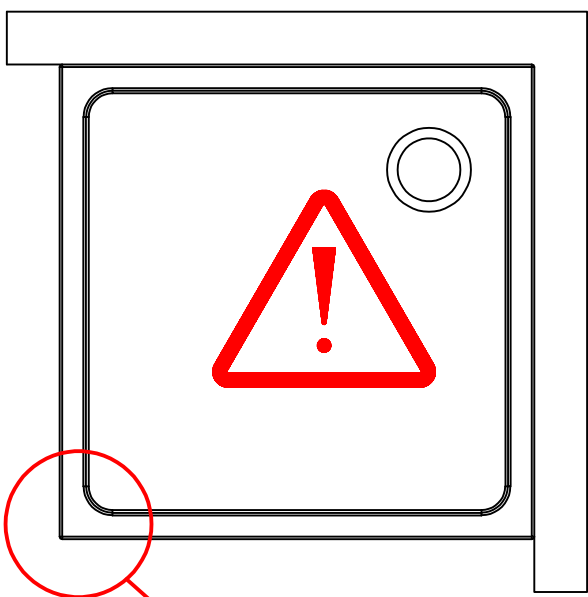


3 x 16000

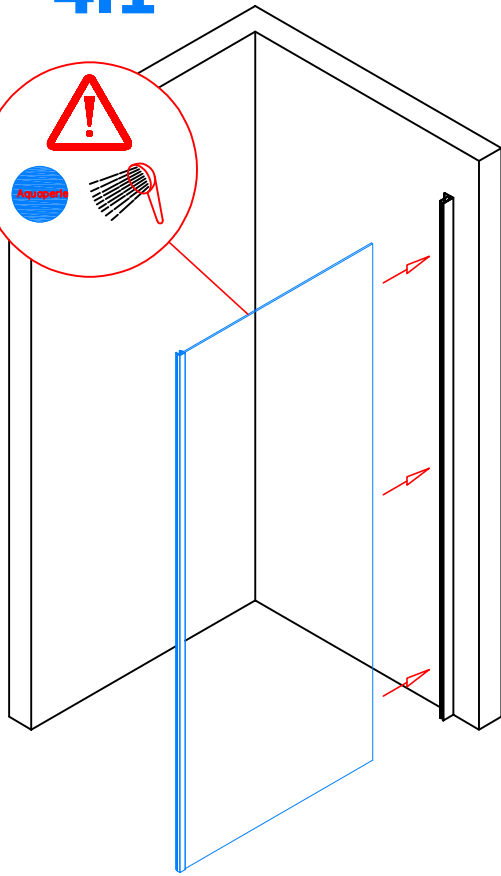
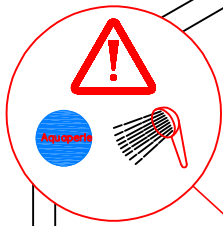
3x



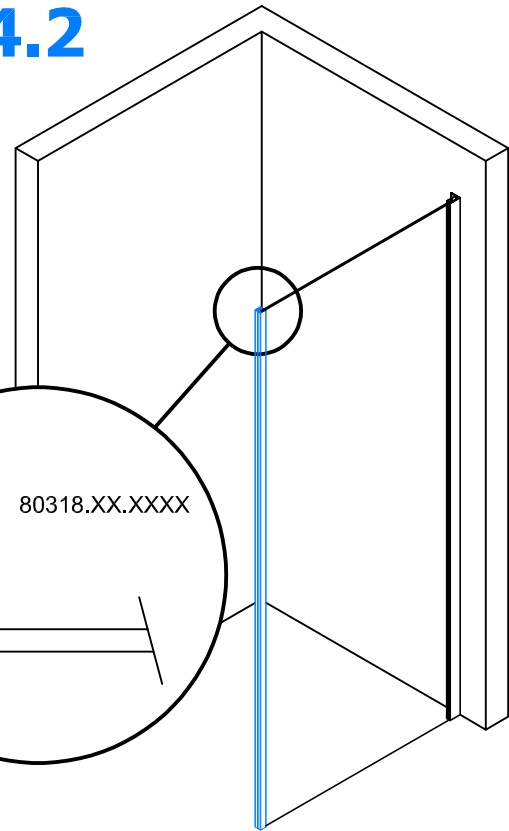
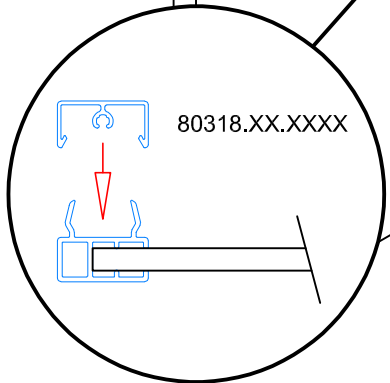
4.1 → 4.2



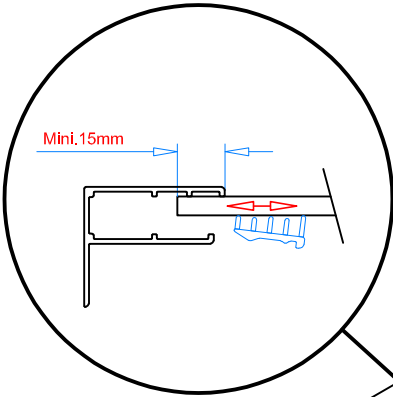
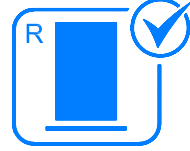
4.1



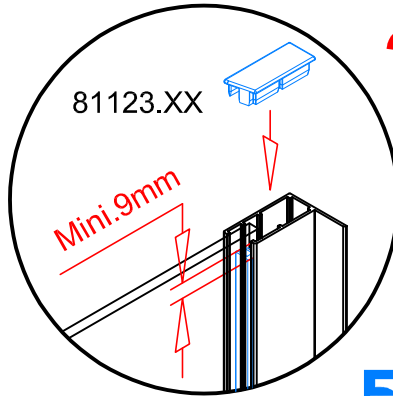
4.2



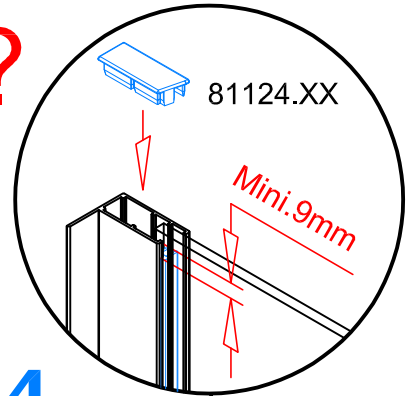
5.1 → 5.4



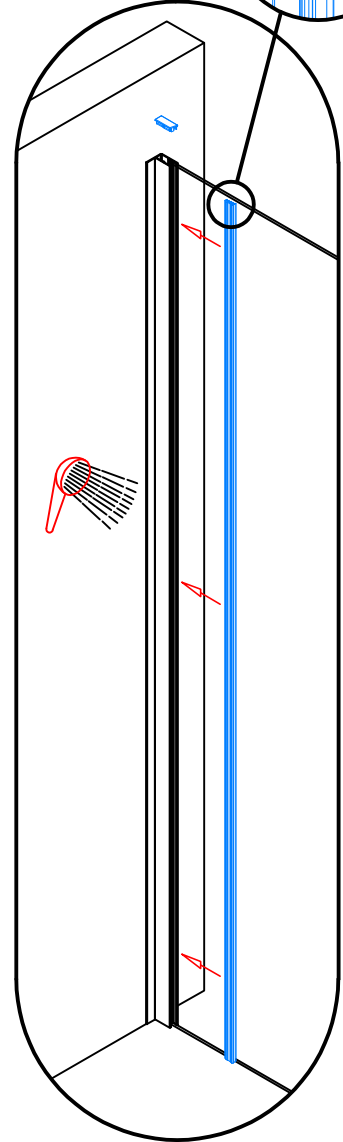
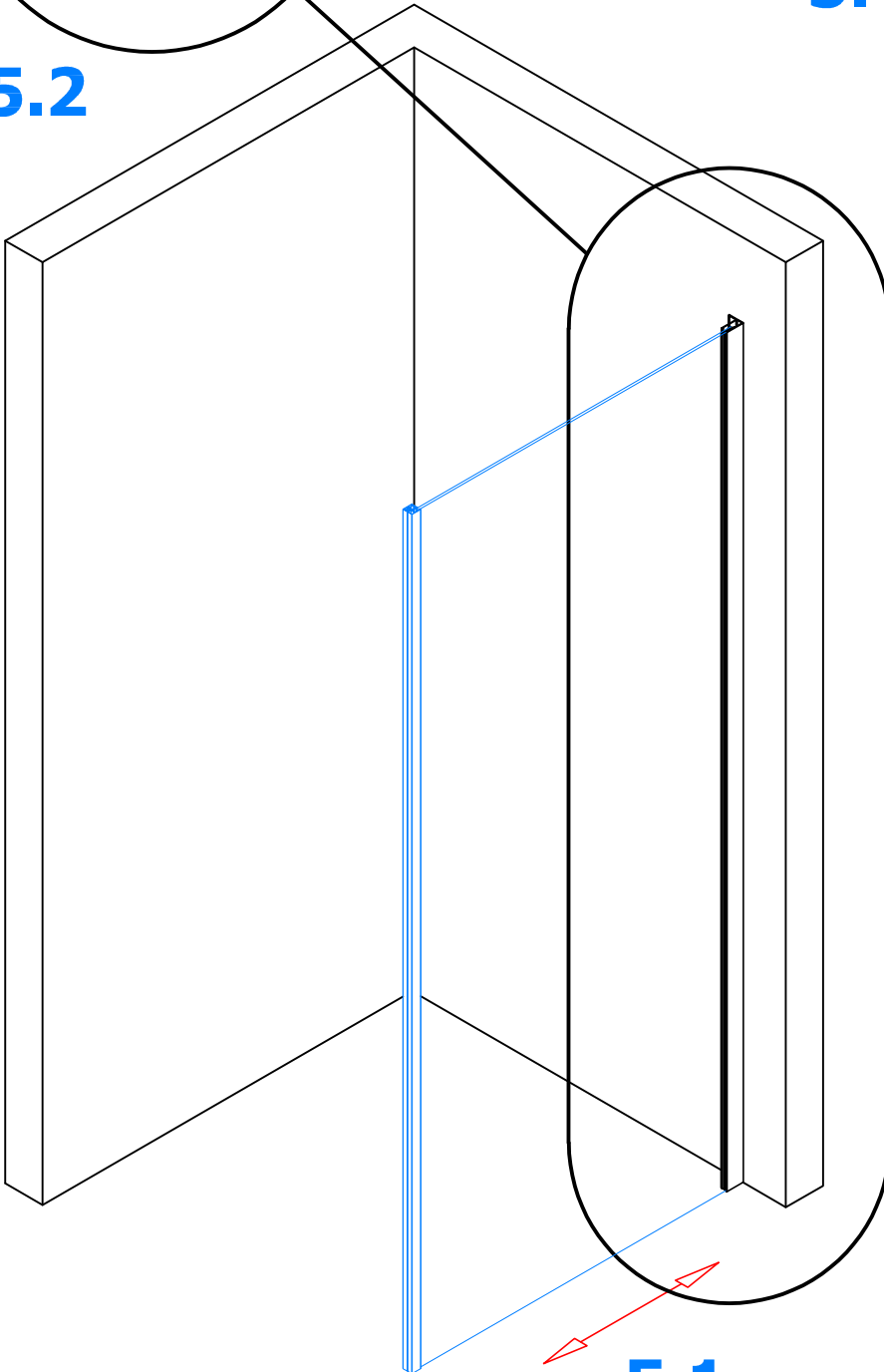
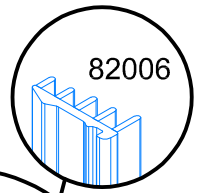
5.2



?



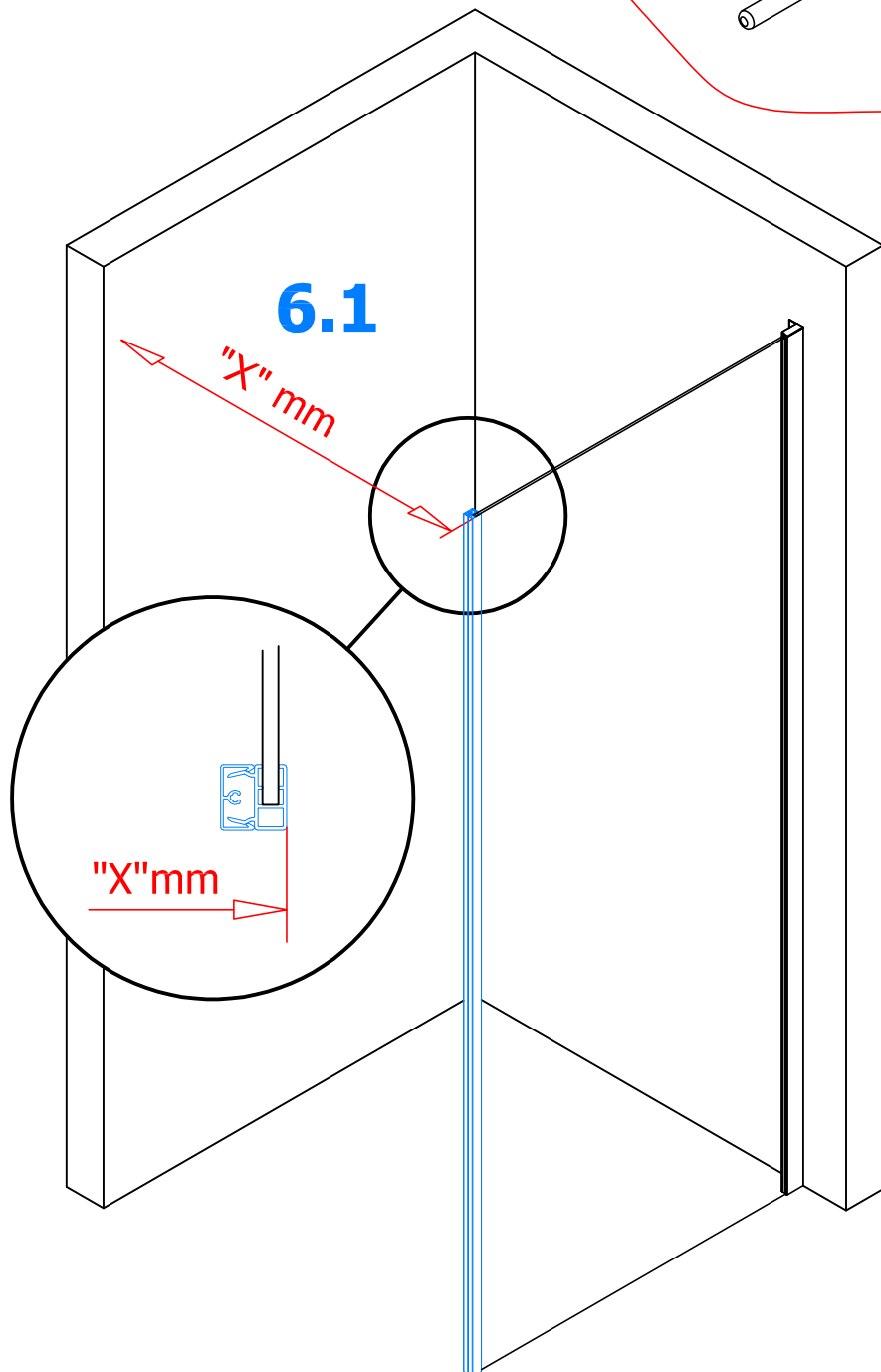
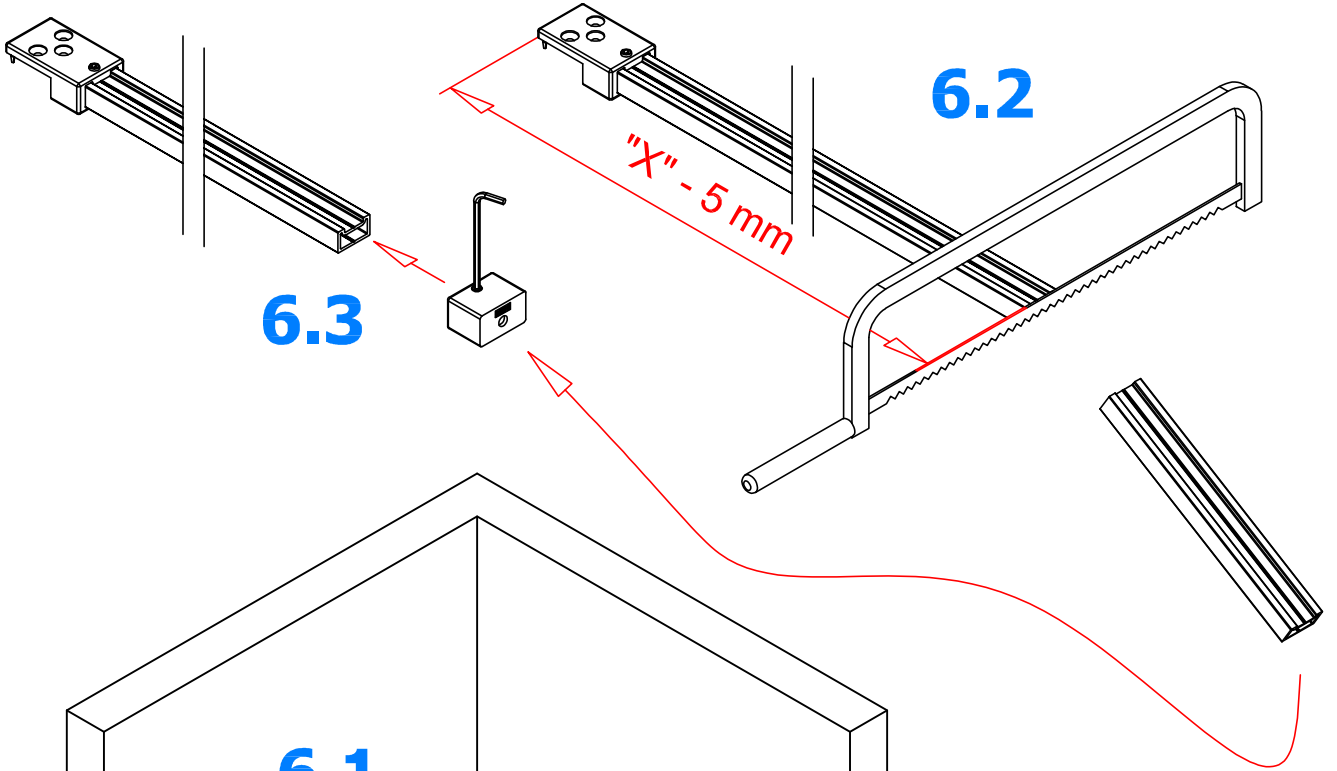
5.4



5.1

5.3

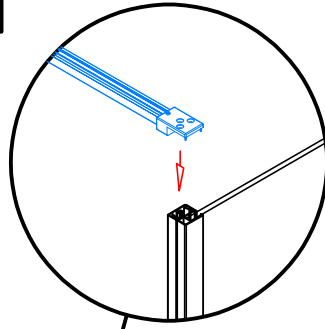
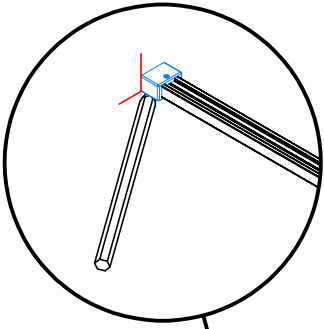
6.1 → 6.3



7.3

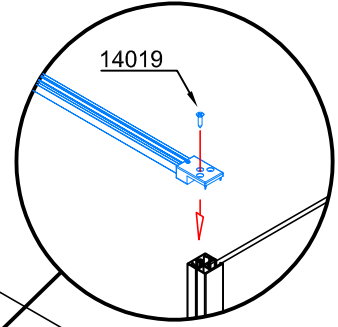
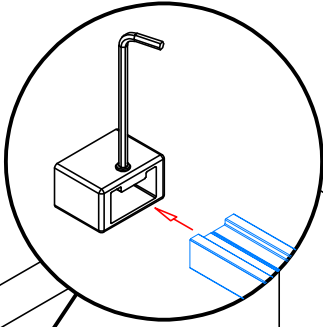
7.1 → 7.6

7.1

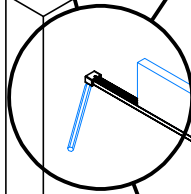


7.5

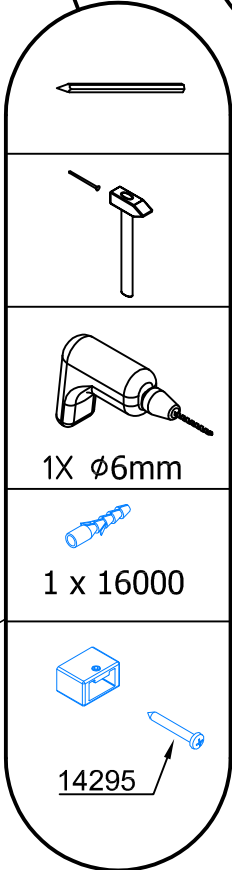
7.6



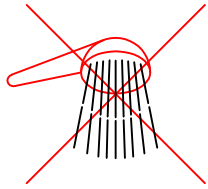
7.2



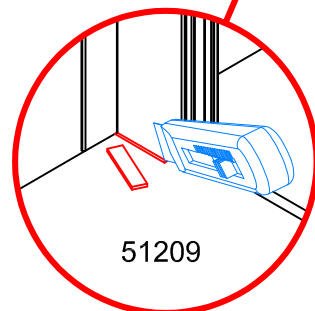
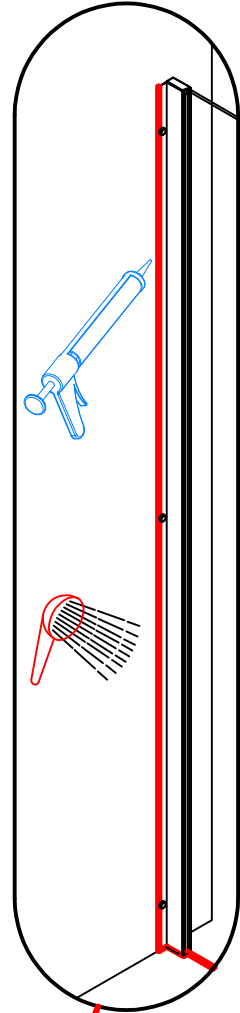
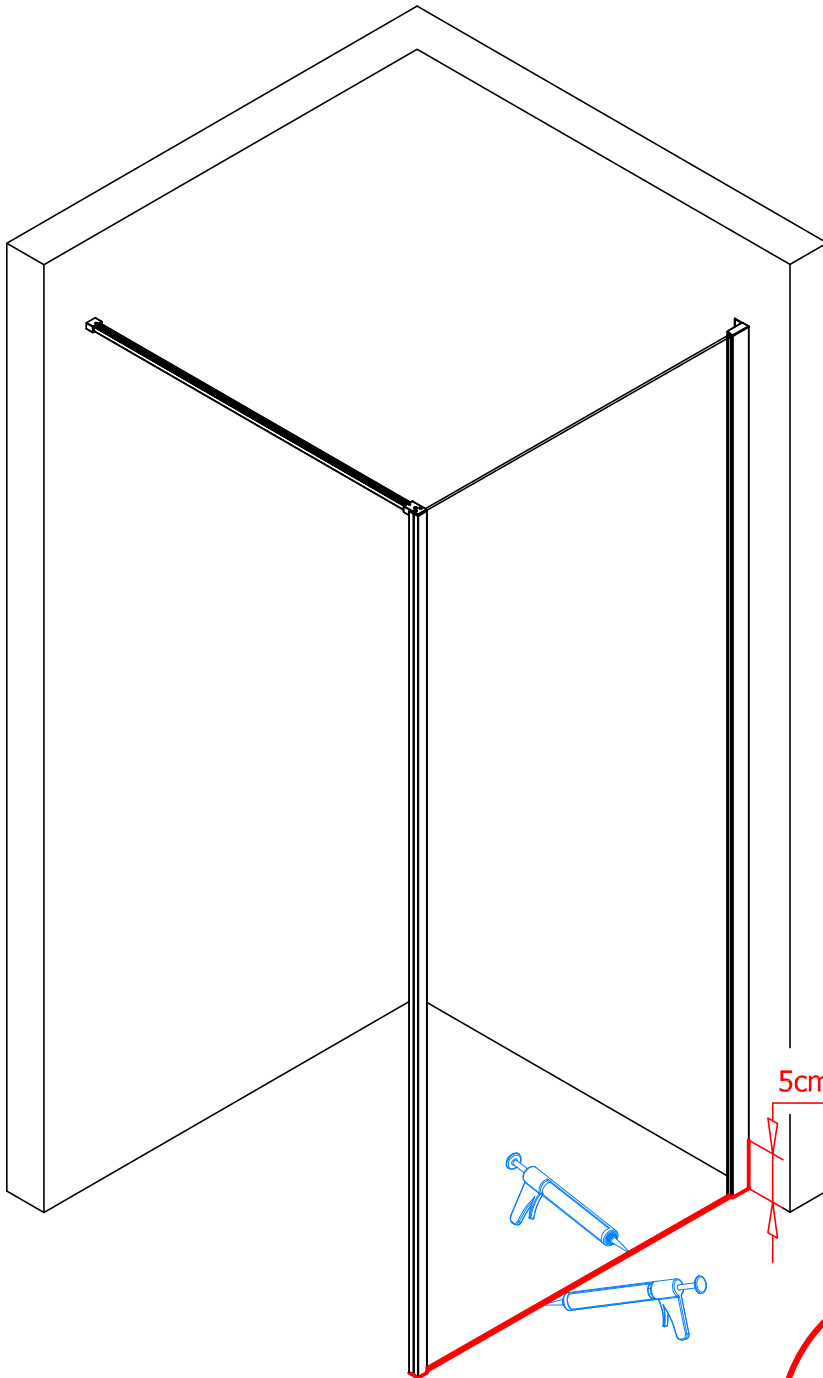
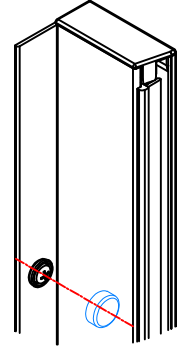
7.4



8.



3 x 81254.XX



51209