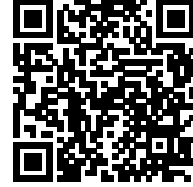
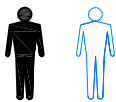
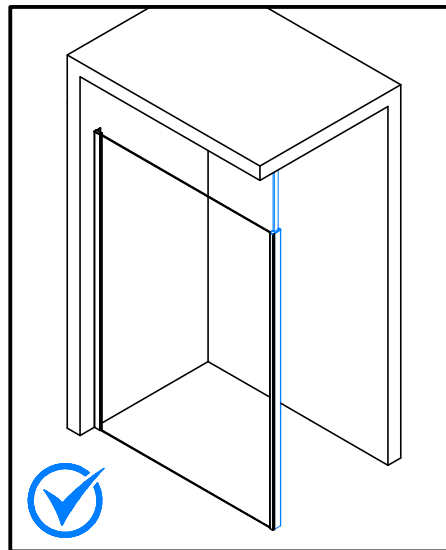


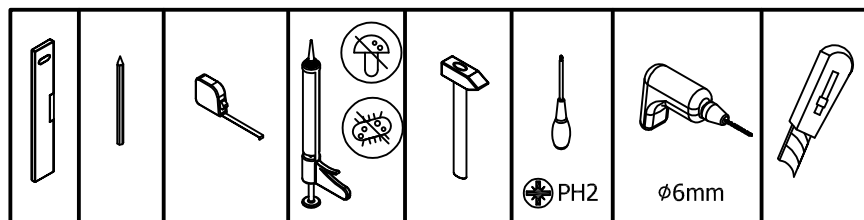
19830



D20BTK1V



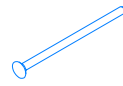
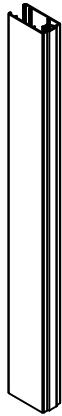
1x



80002FXX.XXXX

80003AXX.XXXX

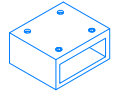
50314E2XX.XXXX



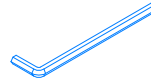
1 x 11221



4 x 14295
4.2X32mm



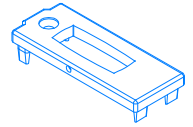
MT0332.XX



2mm - 17158



4 x 16000
Ø 6mm



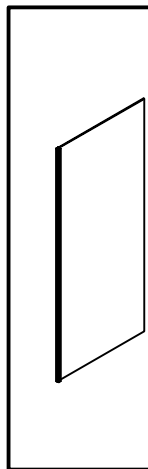
MT0451.XX



1.5mm - 17157



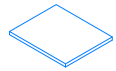
1 x 14019



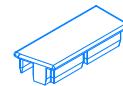
1X
82006.XXXX



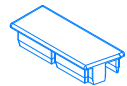
1 x 81122.XX



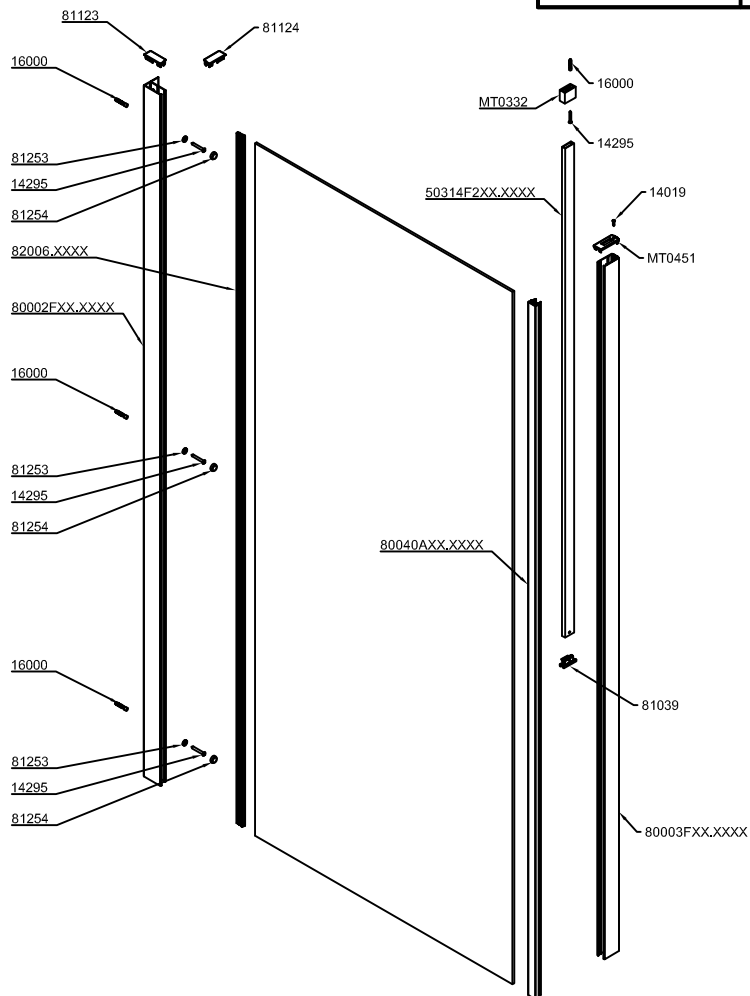
51209



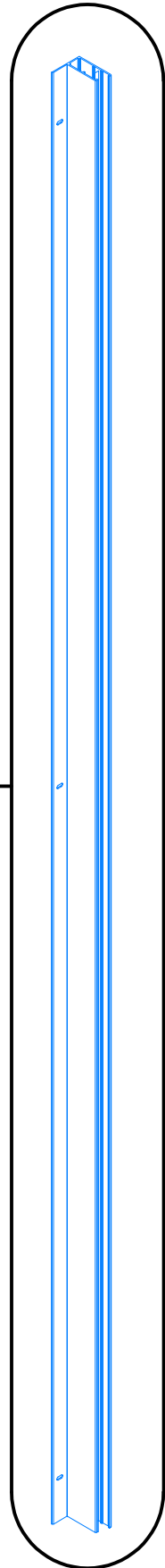
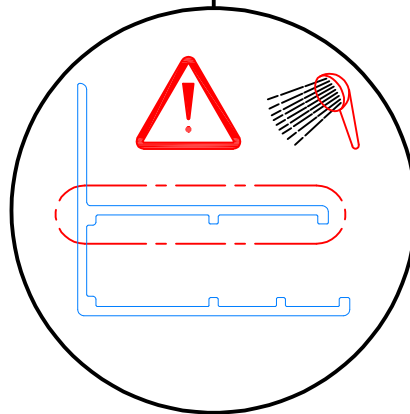
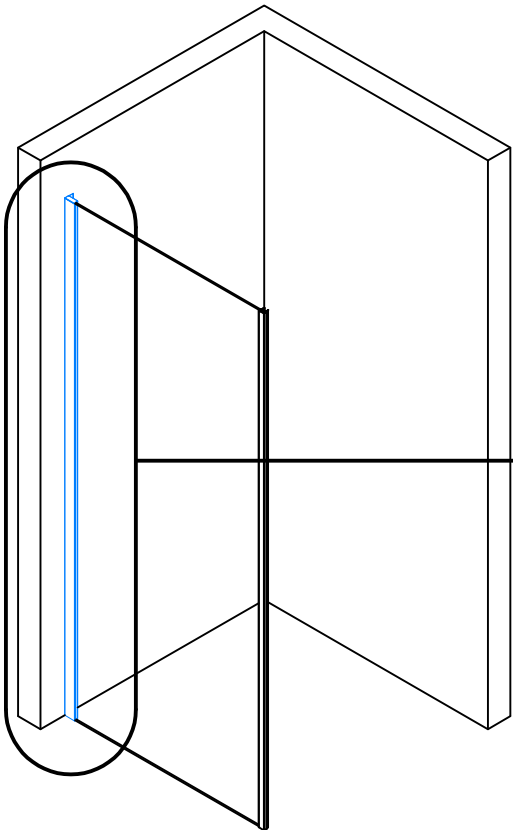
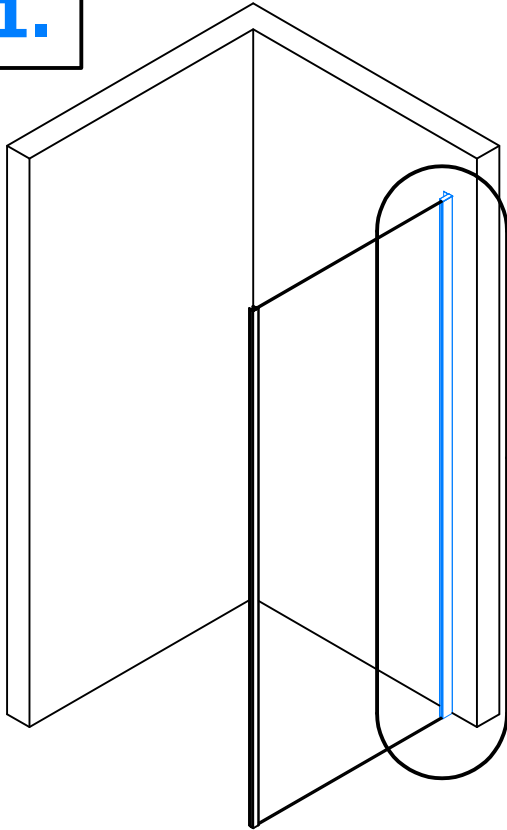
1 x 81123.XX

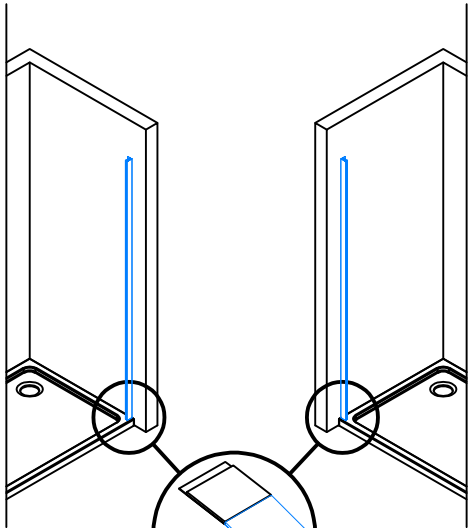
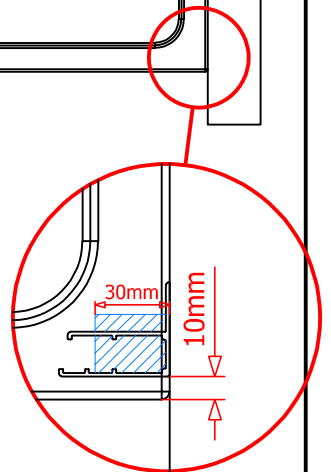
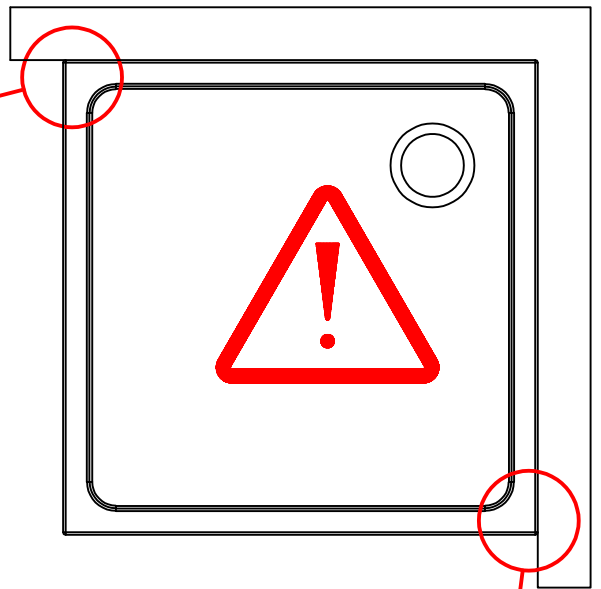
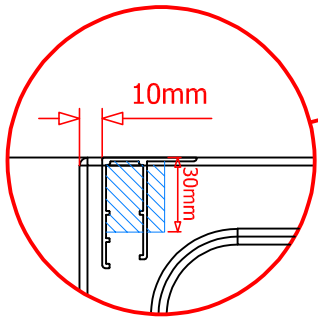


1 x 81124.XX

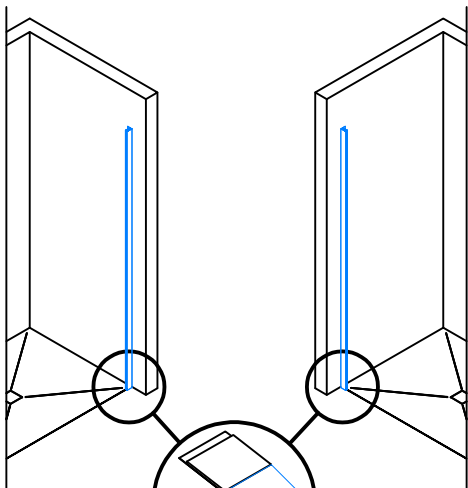
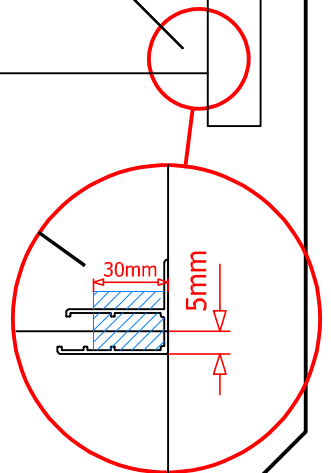
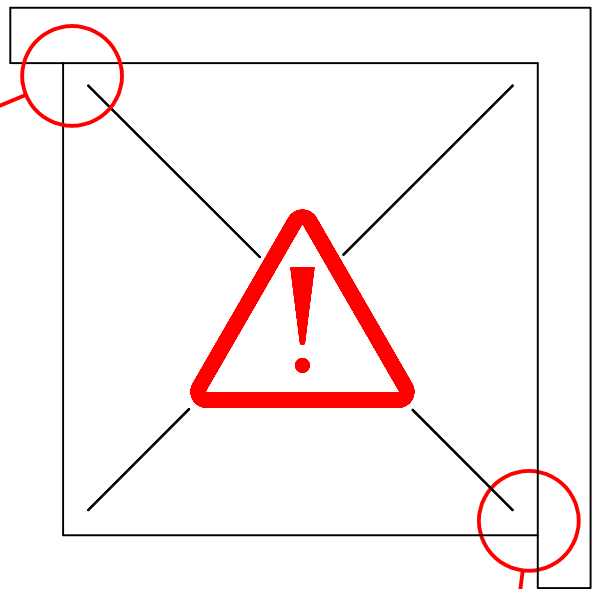
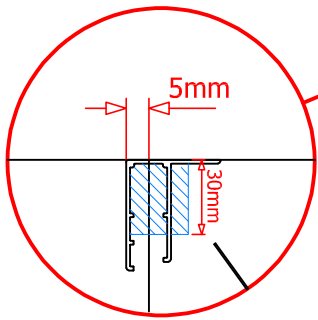


1.

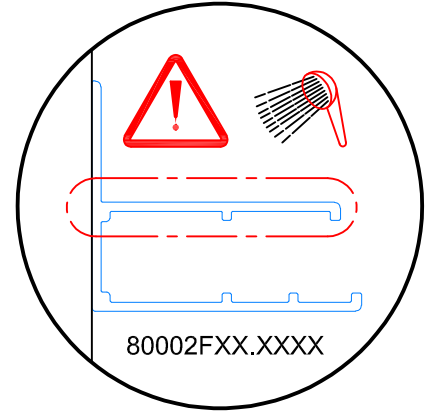
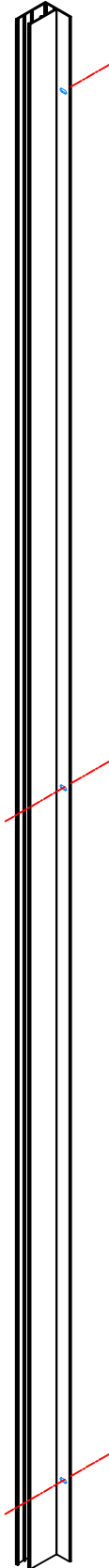
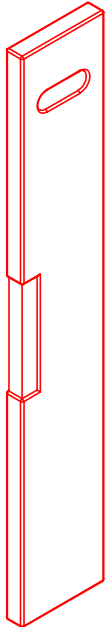




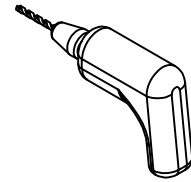
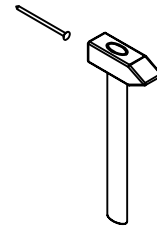
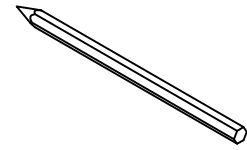
2.



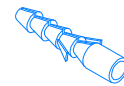
3.



80002FXX.XXXX

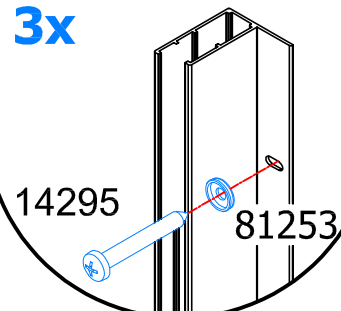


3X ϕ 6mm



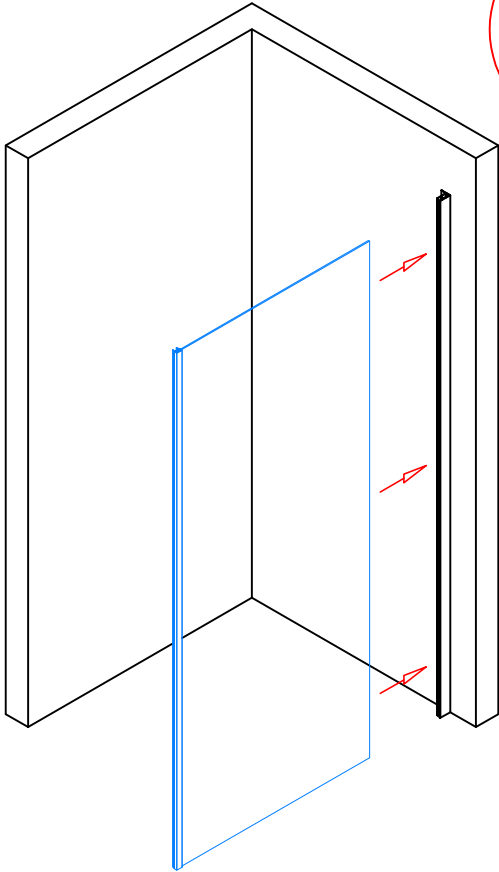
3 x 16000

3x

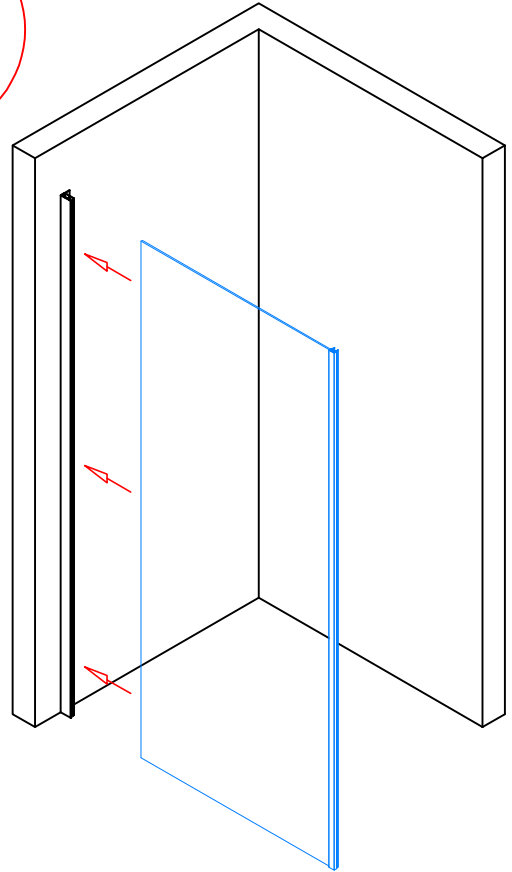


14295

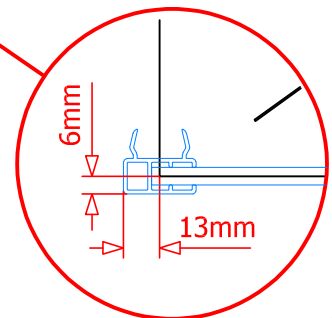
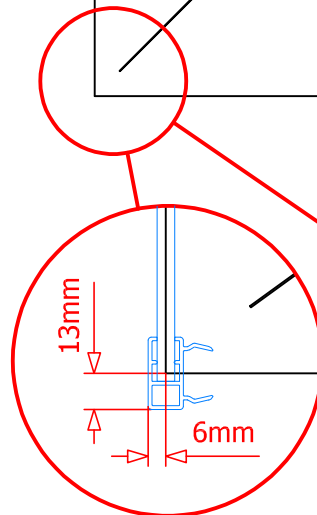
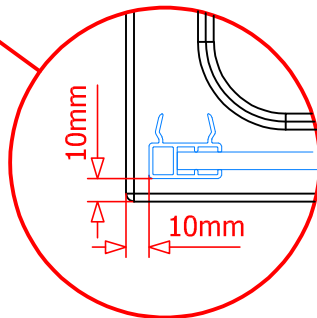
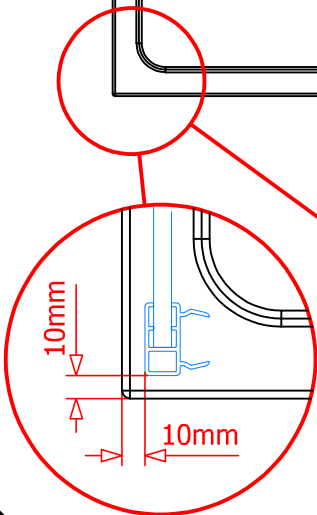
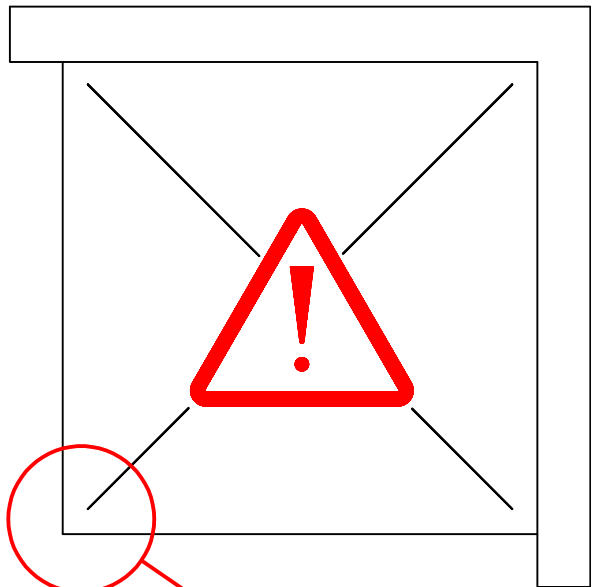
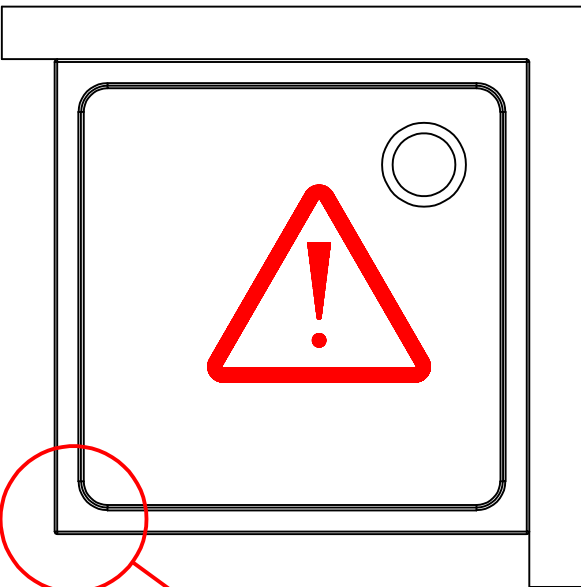
81253



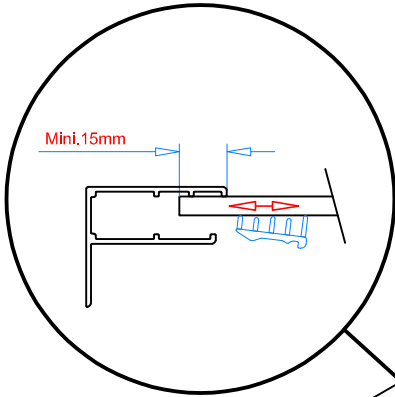
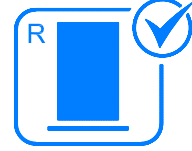
?



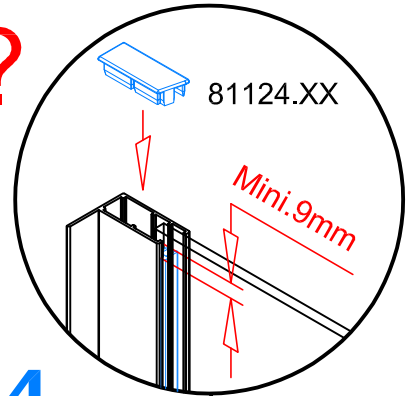
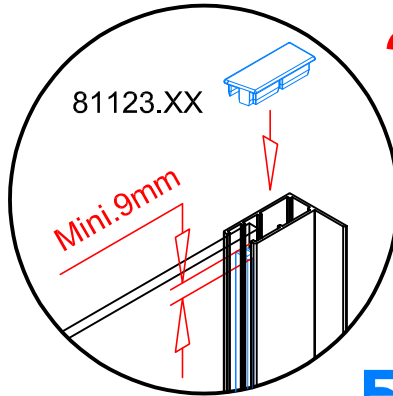
4.



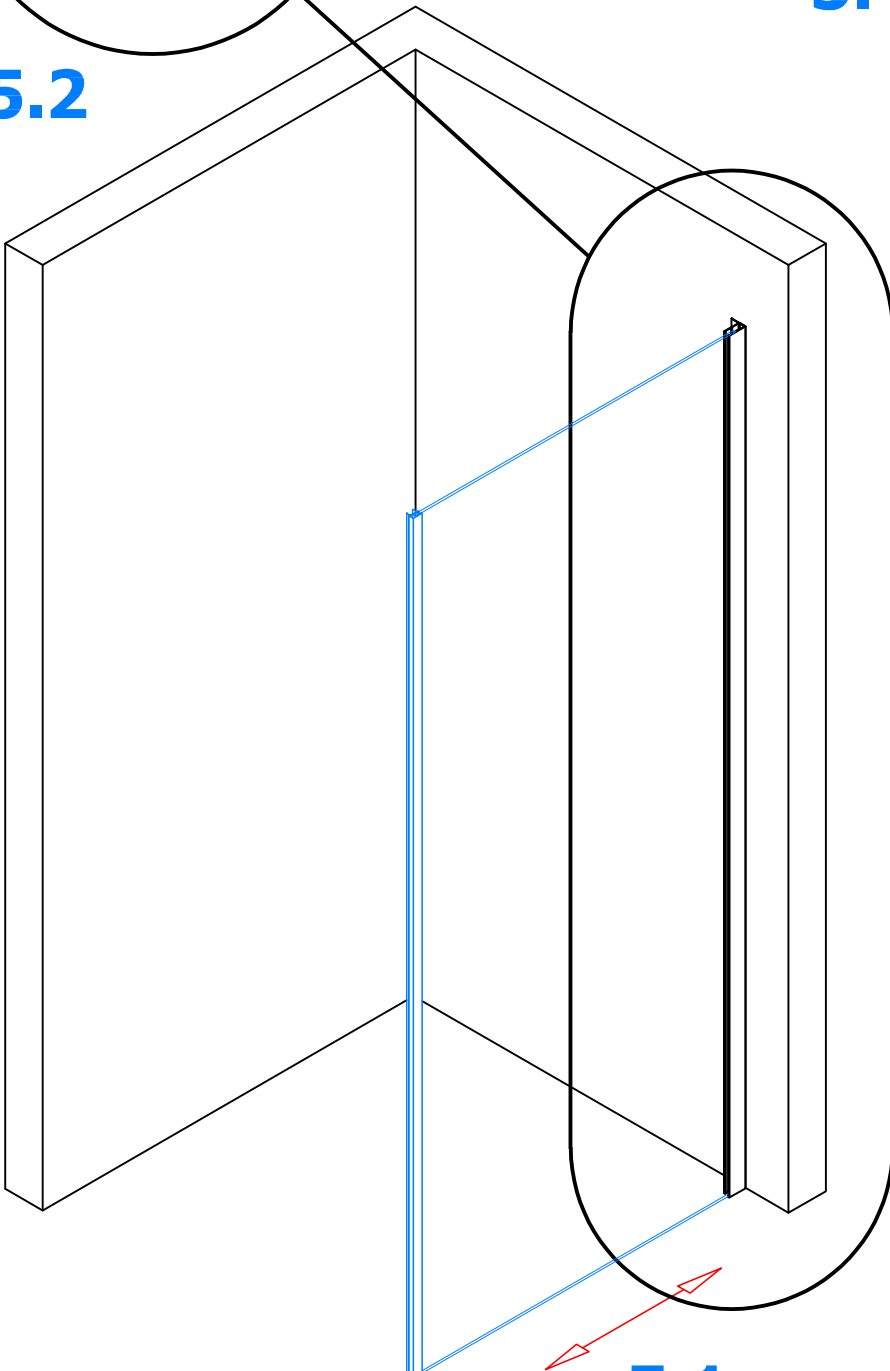
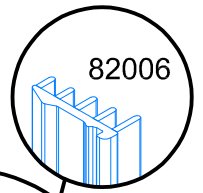
5.1 → 5.4



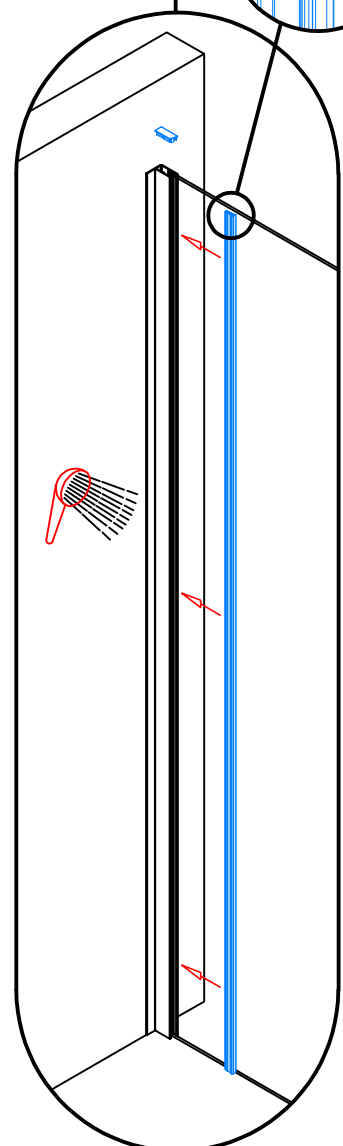
5.2



5.4



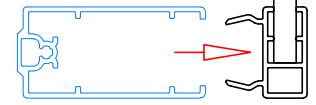
5.1



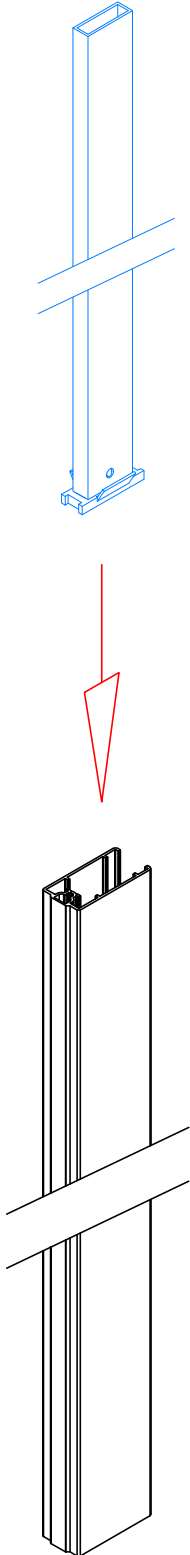
5.3

6.1 → 6.4

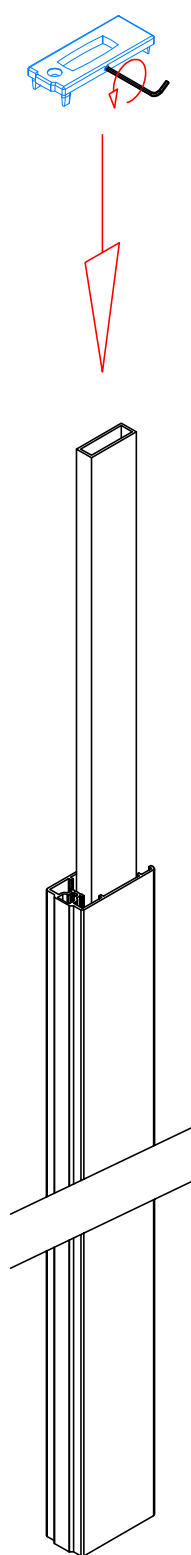
80003AXX.XXXX



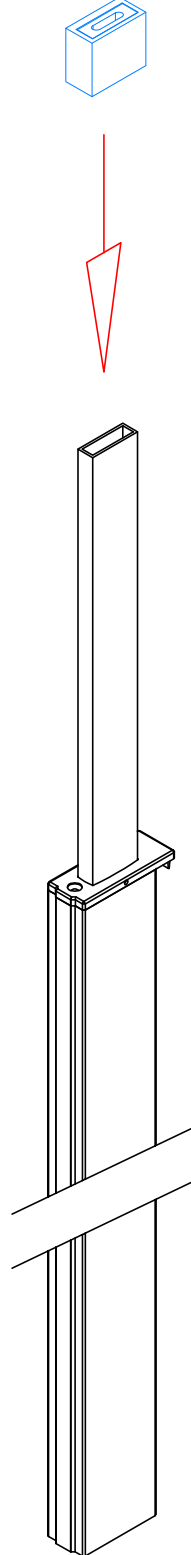
6.1



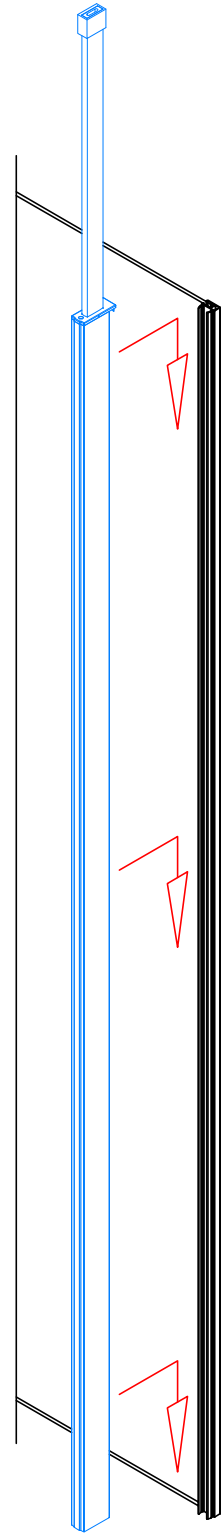
6.2



6.3

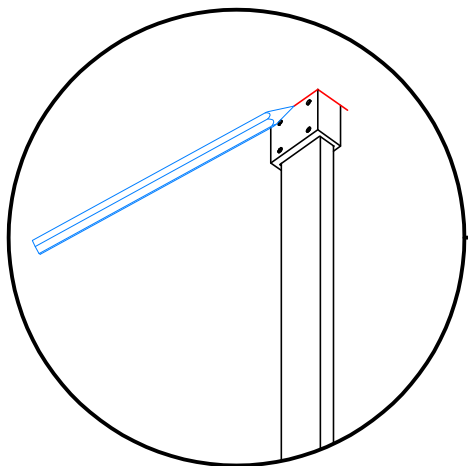


6.4

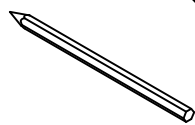


7.1 → 7.5

7.2



7.3



1X $\phi 6\text{mm}$

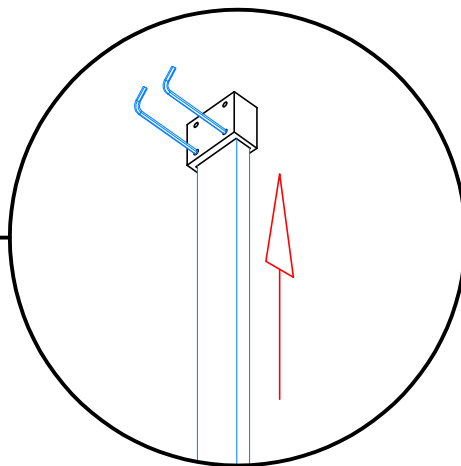
16000



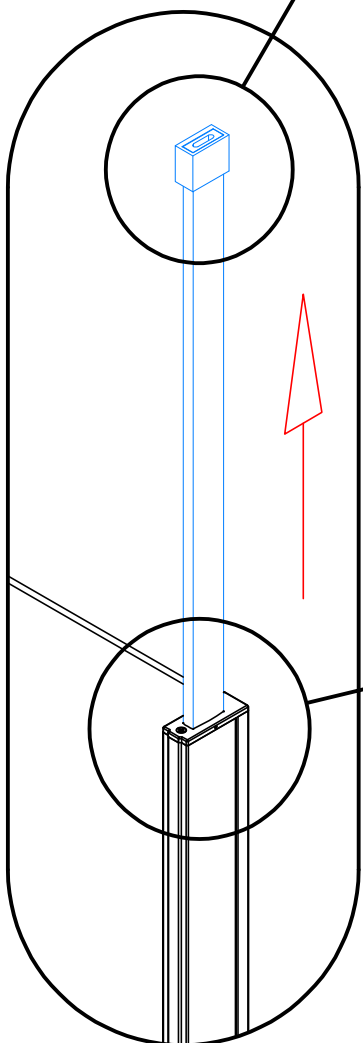
14295



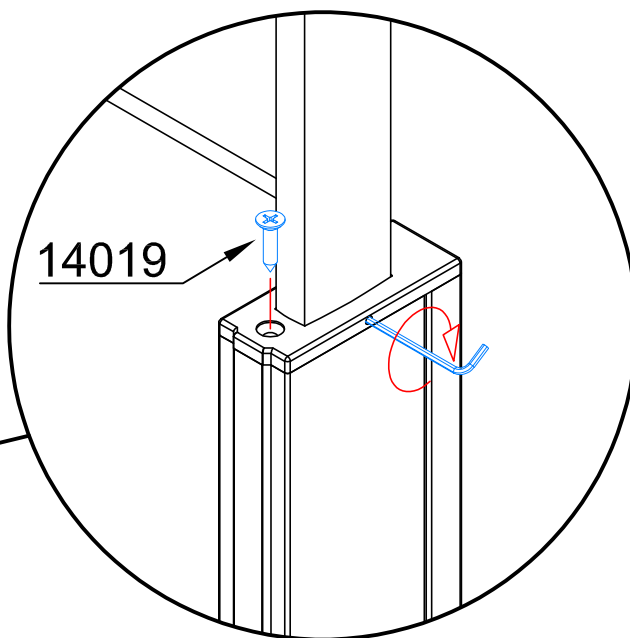
7.4



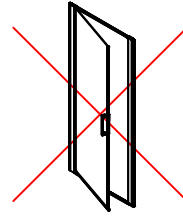
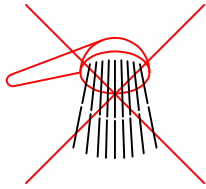
7.1



7.5



8.



3 x 81254.XX

