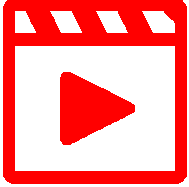
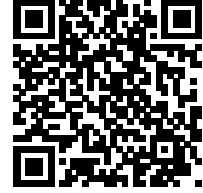


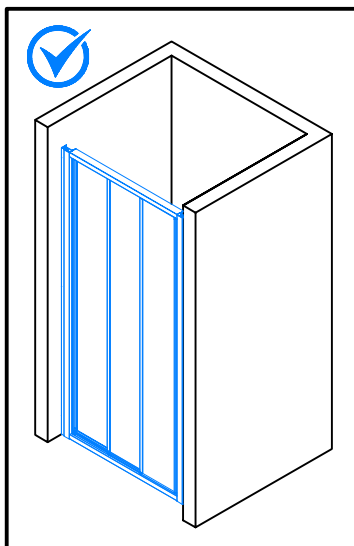
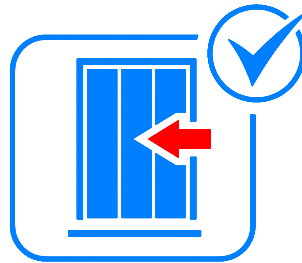
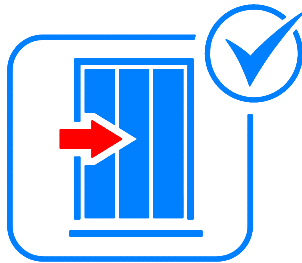
19795



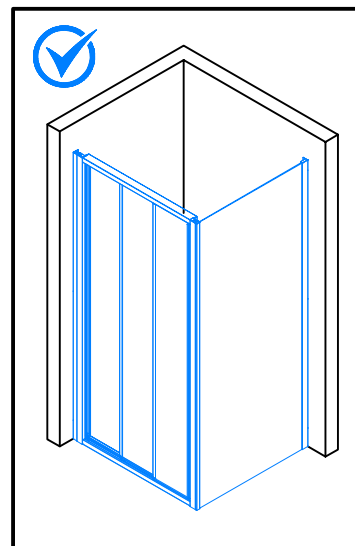
D20S3



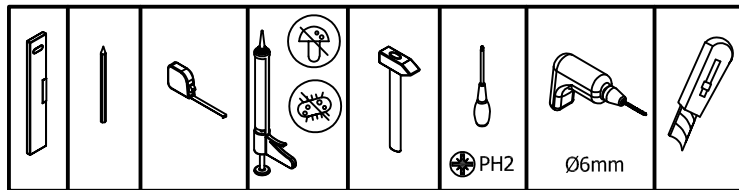
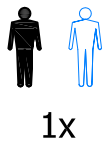
D20S3 + D20F1



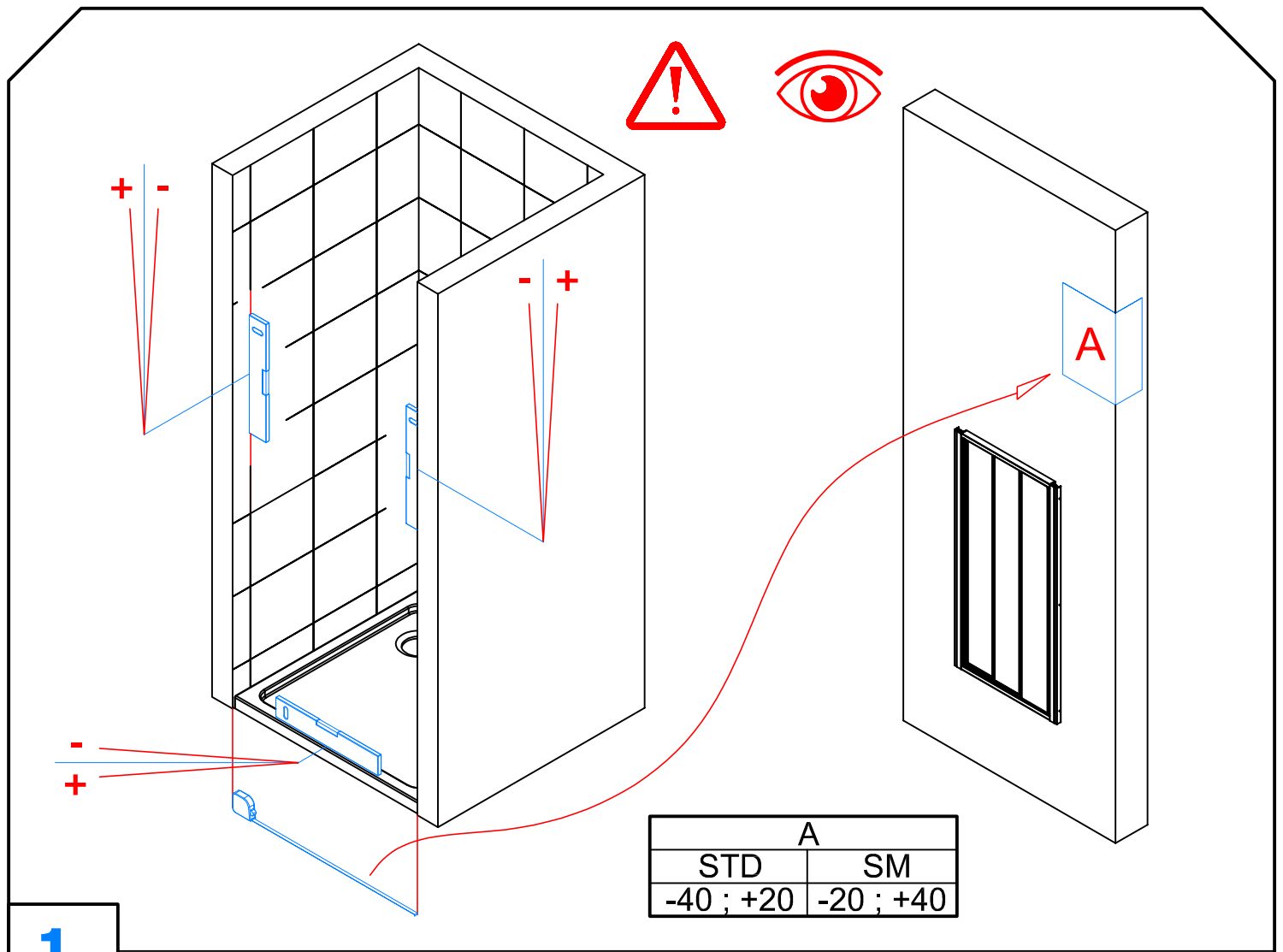
P1. → P9.



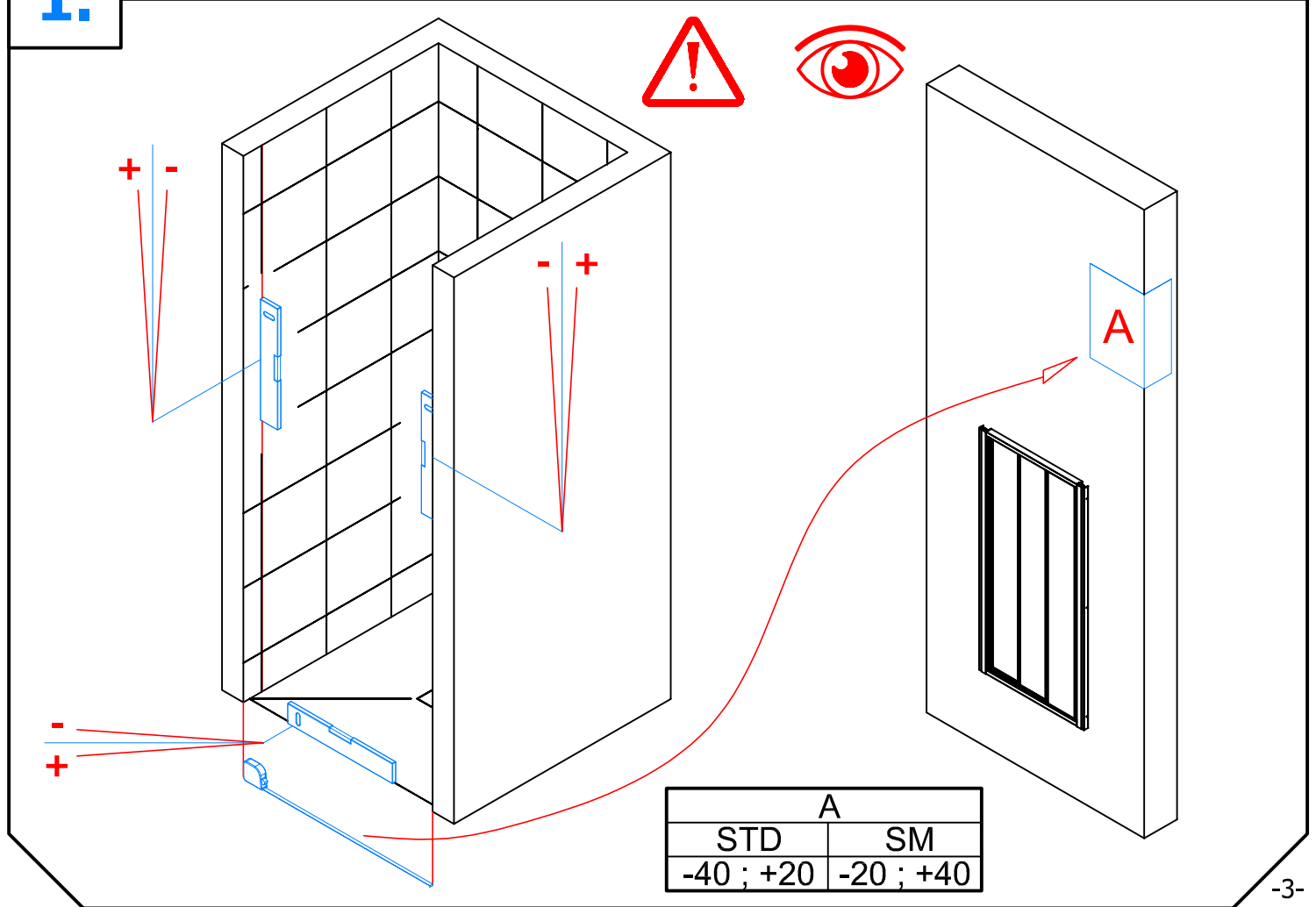
P10. → P21.

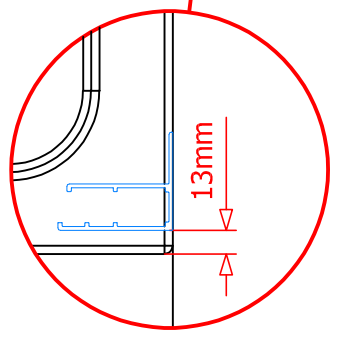
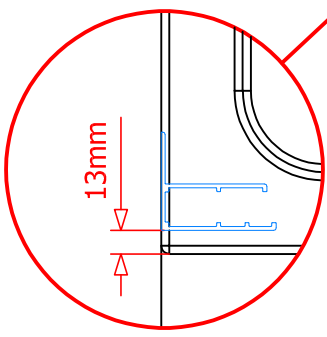
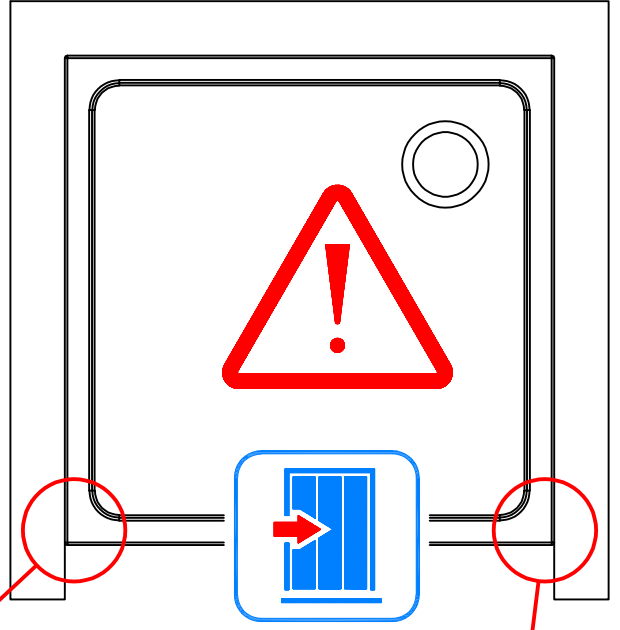
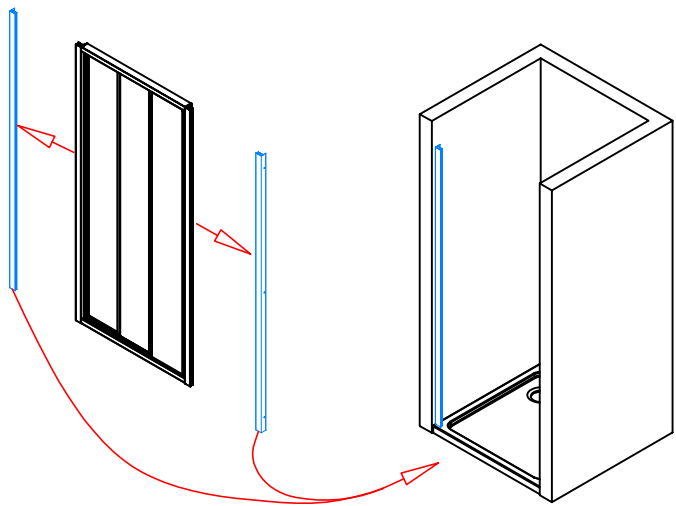


 	 1 x 11221	 2 x 14196	 6 x 14295 4.2x32mm	 6 x 16000 Ø 6mm
	 2 x 81125.XX	 2 x 81121.XX	 41399.XX	
	 6 x 81254.XX	 6 x 81253	 1 x 32102	

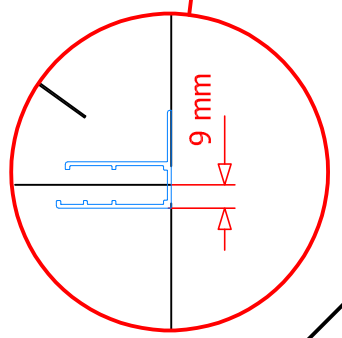
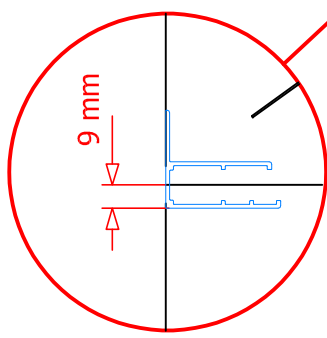
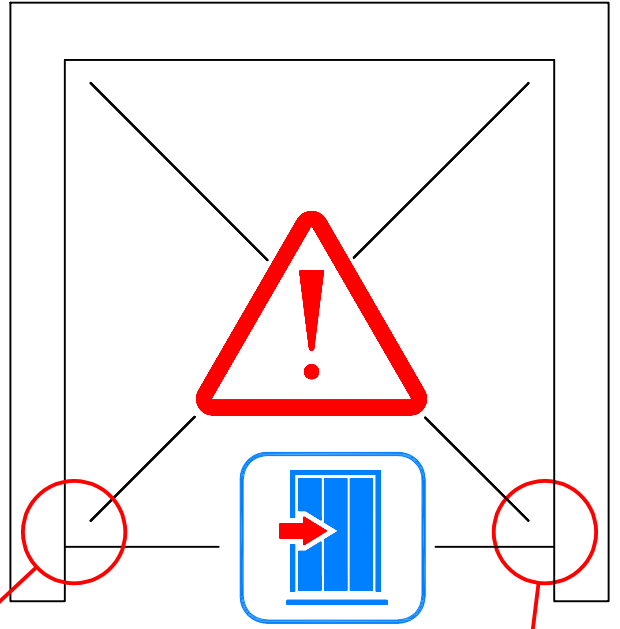
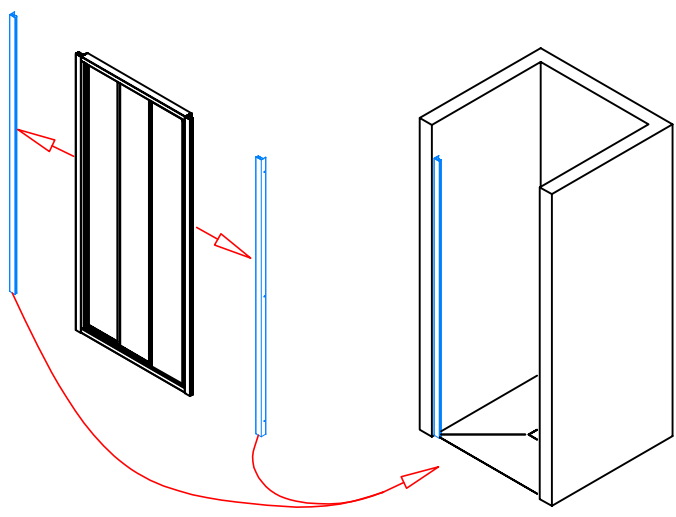


1.

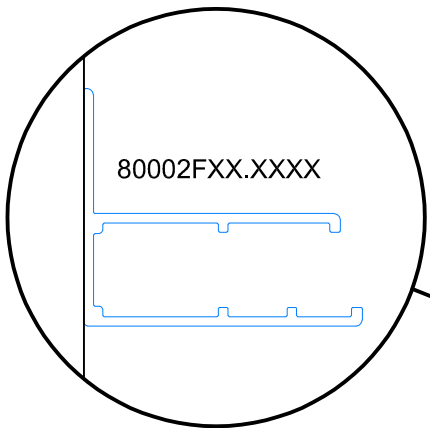




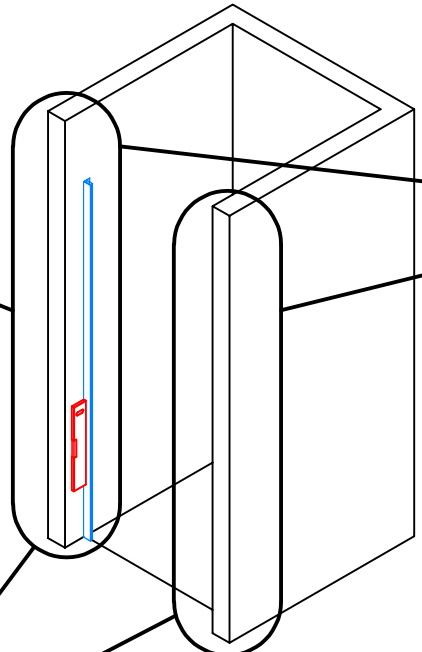
2.



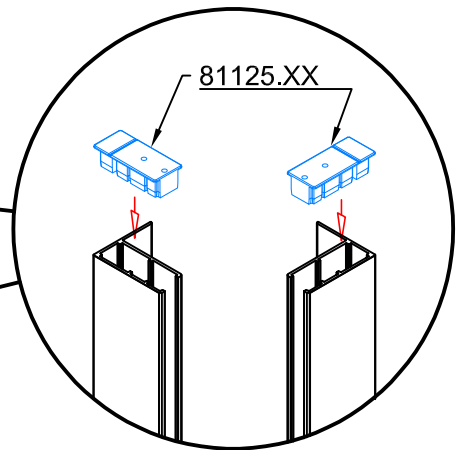
3.1 → 3.4



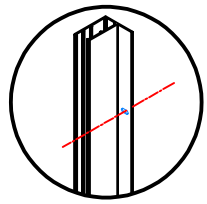
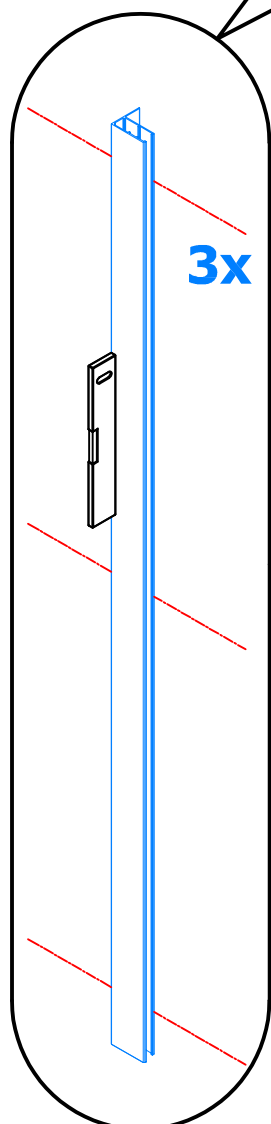
3.1



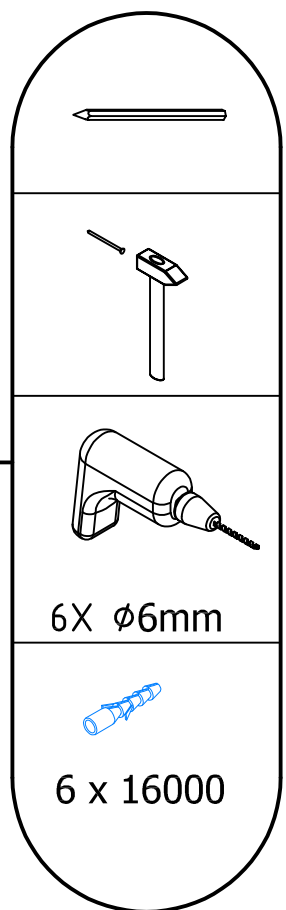
3.2



3.4

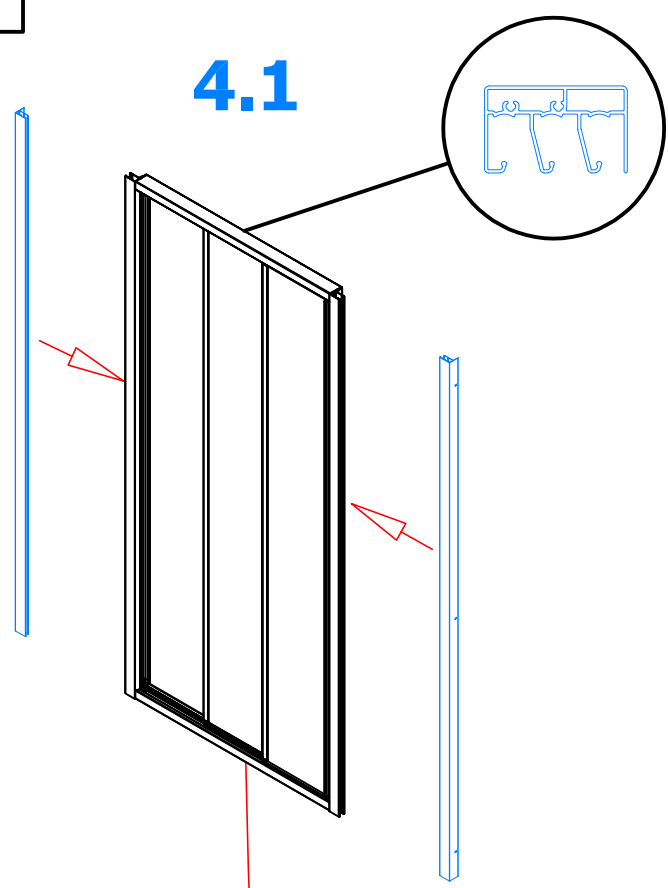


3.3

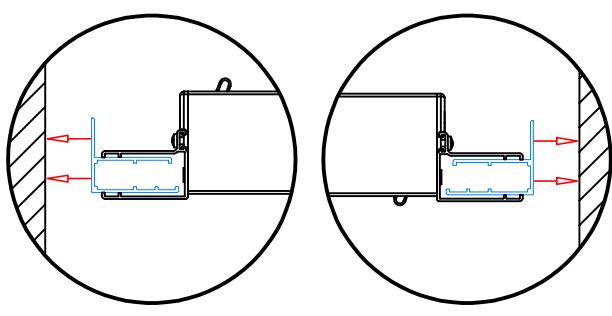


4.1 → 4.3

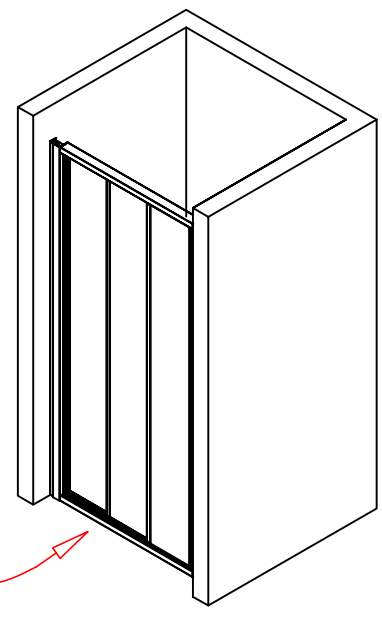
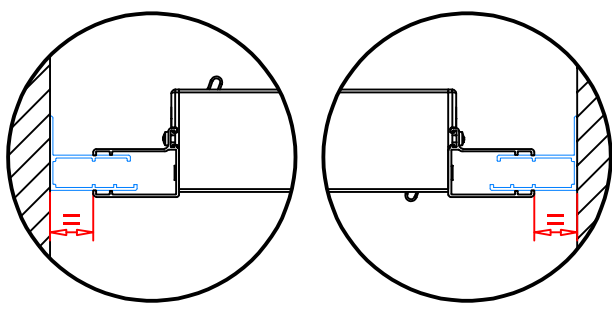
4.1



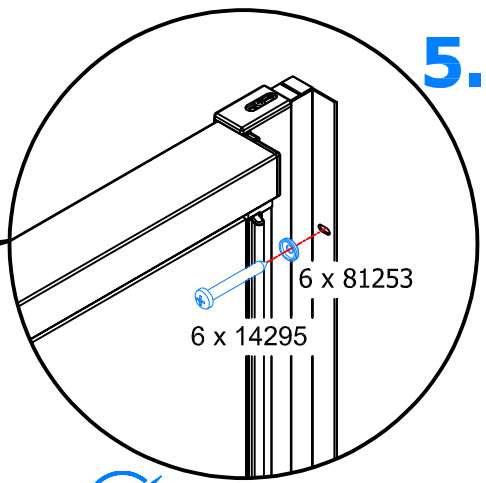
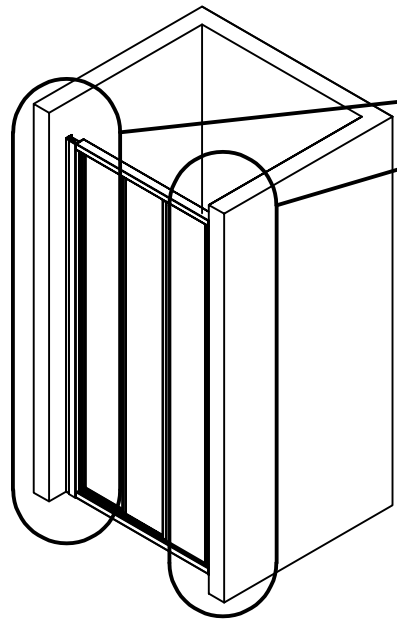
4.2



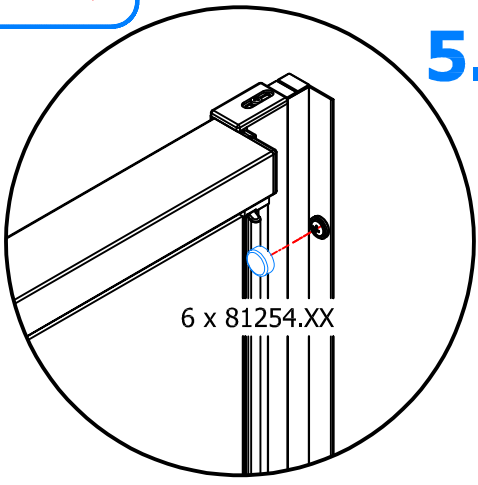
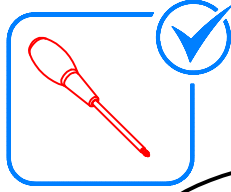
4.3



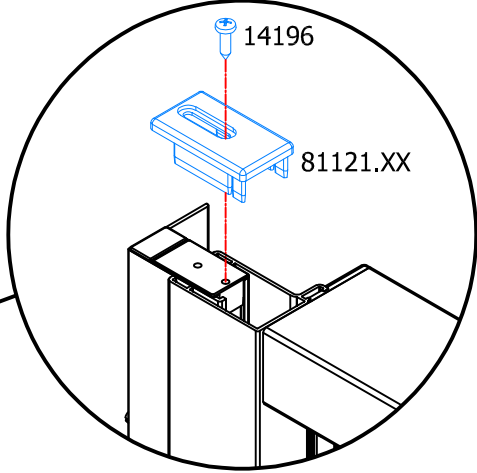
5.1 → 5.4



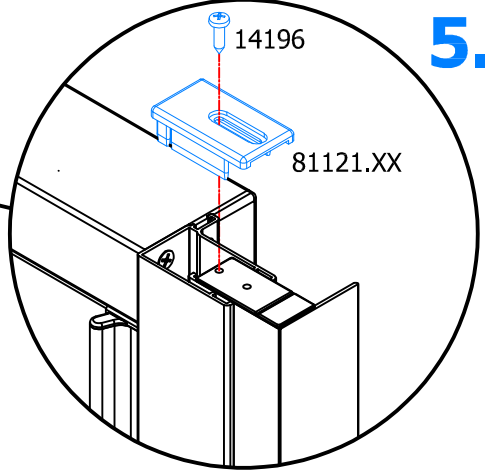
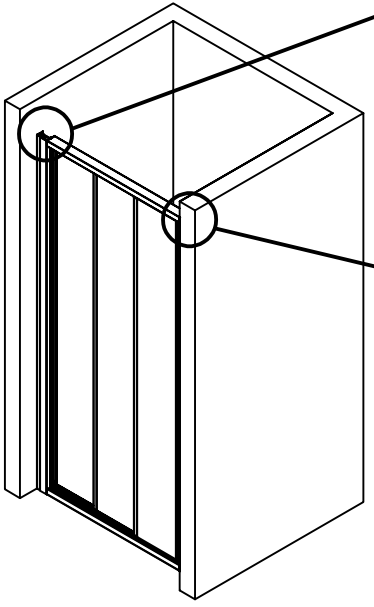
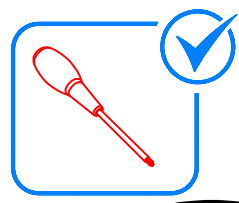
5.1



5.2

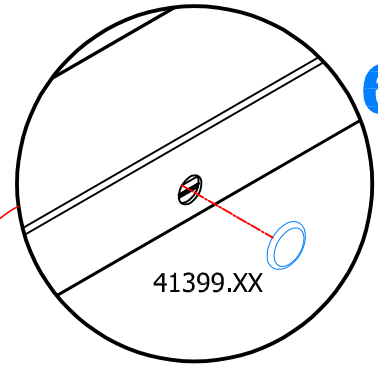
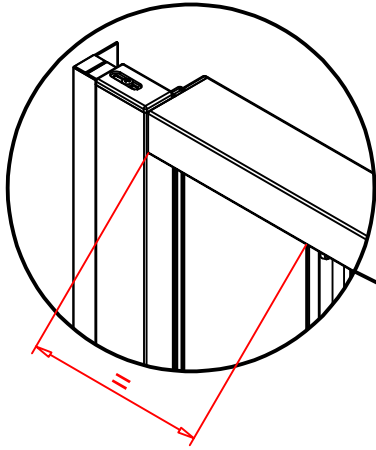


5.3



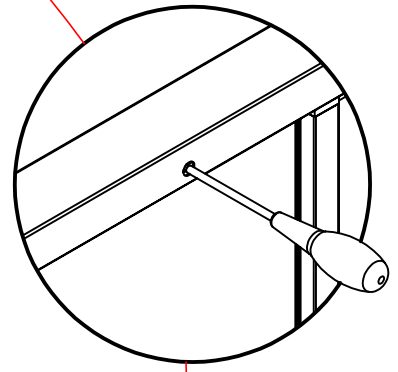
5.4

6.1 → 6.4

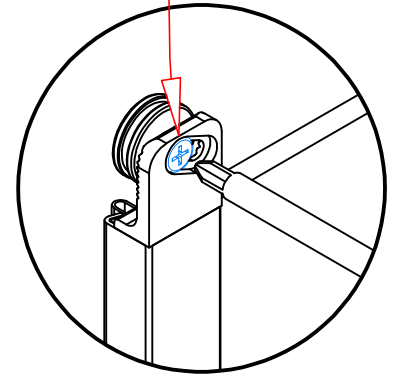


6.3

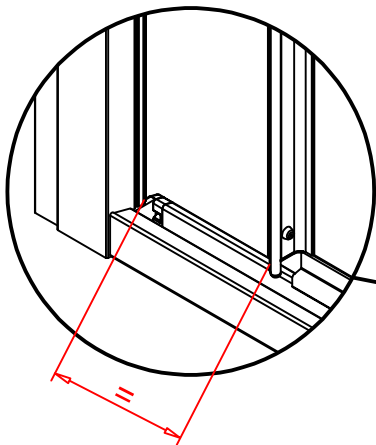
41399.XX



6.2



6.1

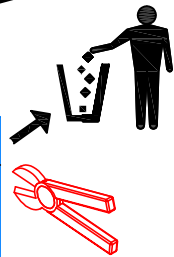


6.4

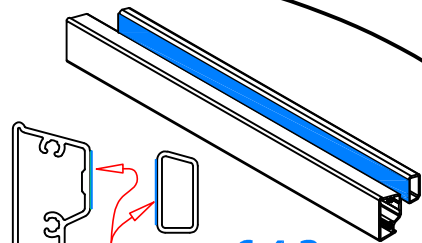
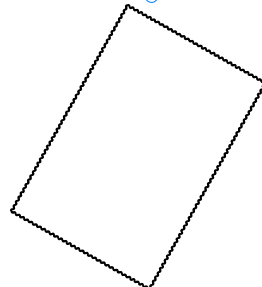
32102



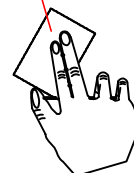
6.4.1



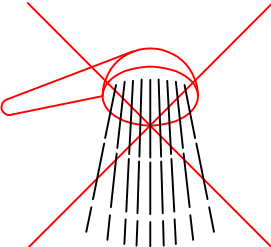
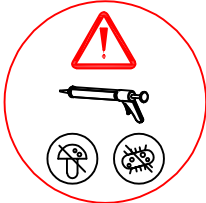
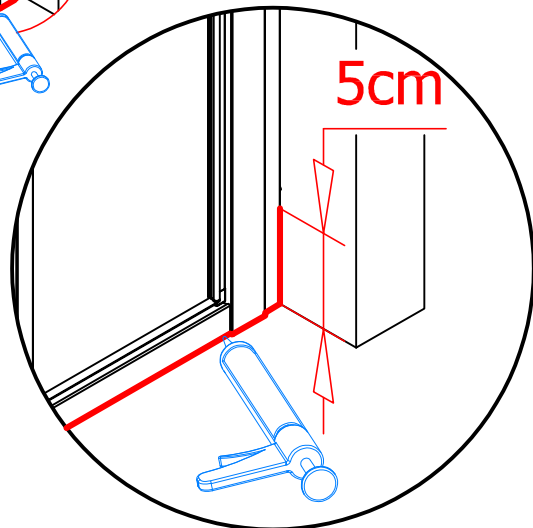
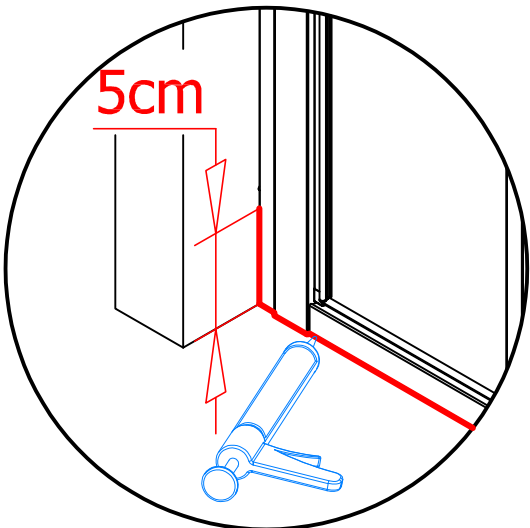
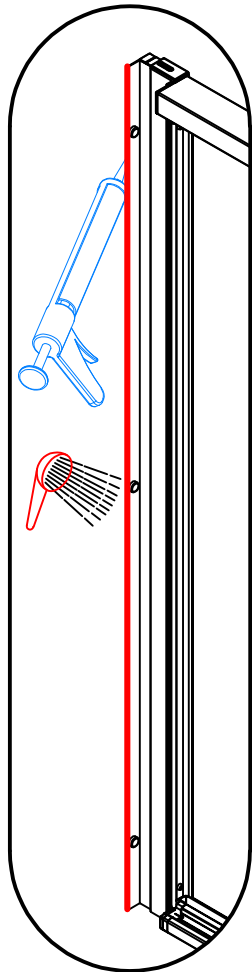
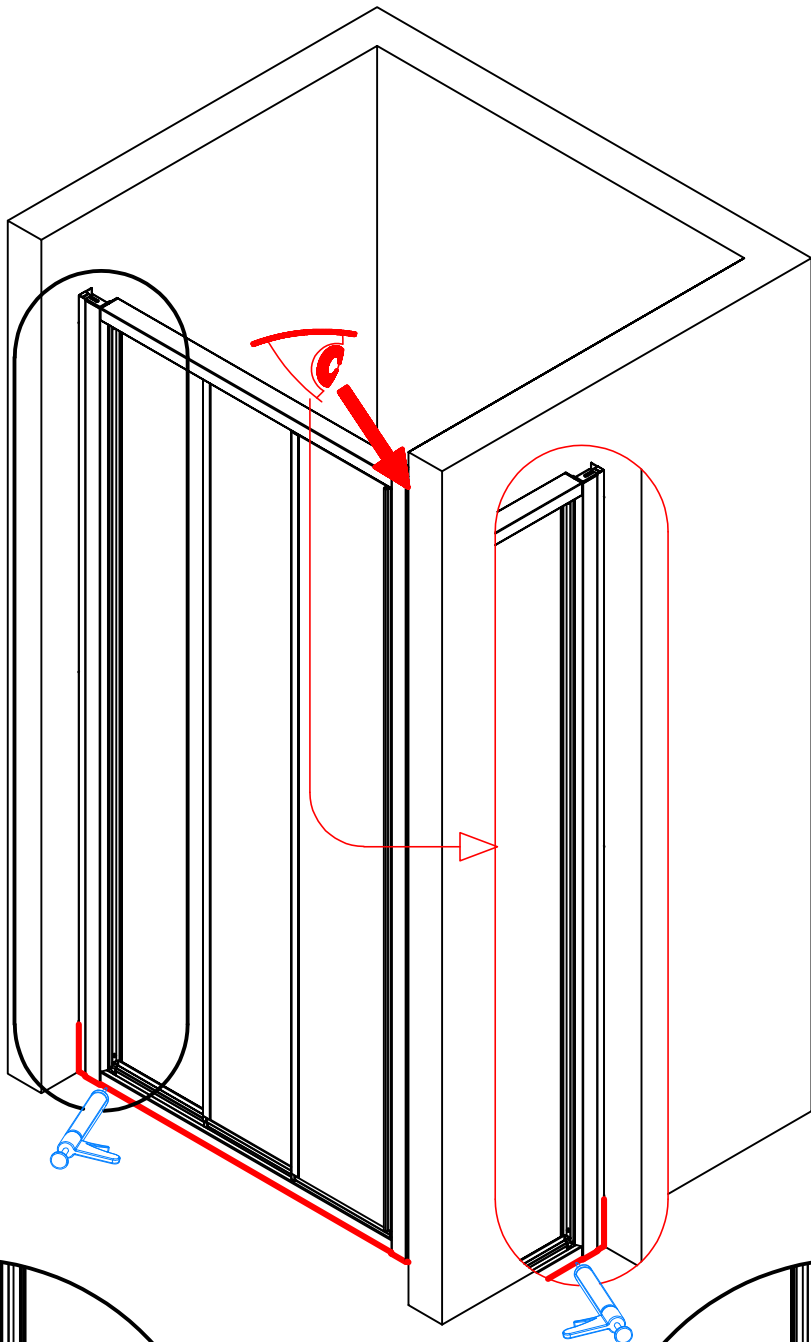
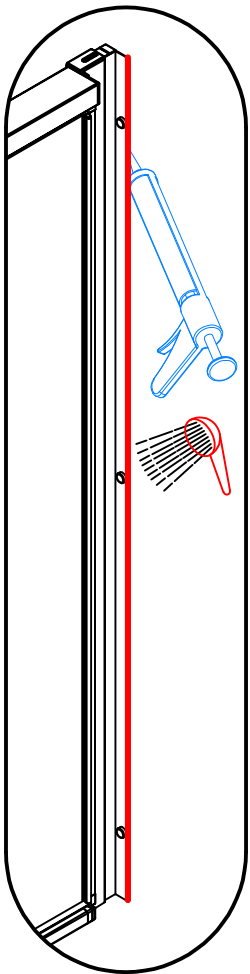
6.4.2



6.4.3

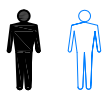
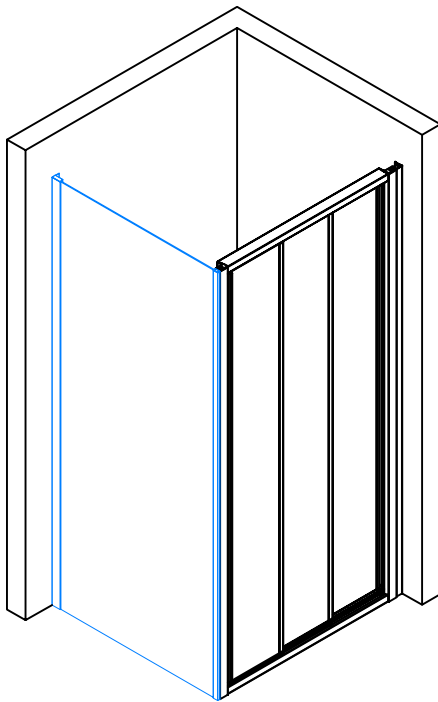
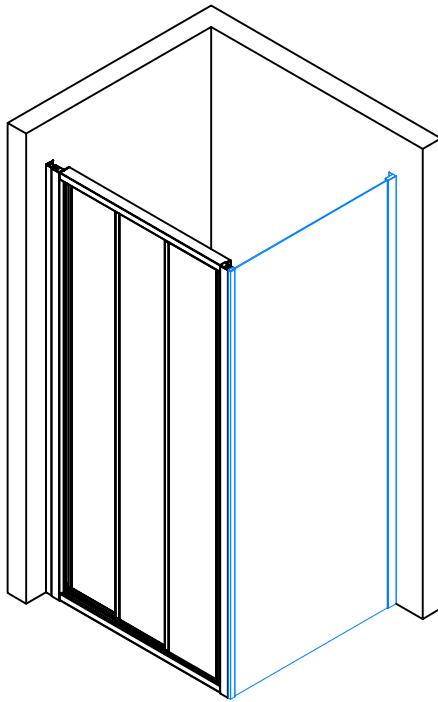


7.

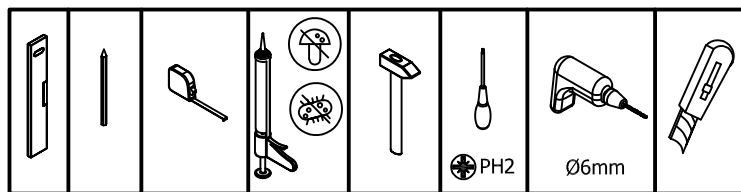


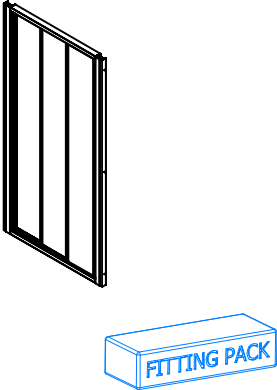
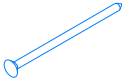



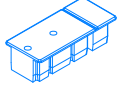
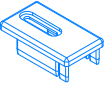









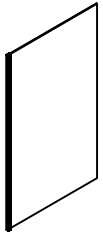
P10. → P21.



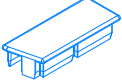
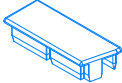


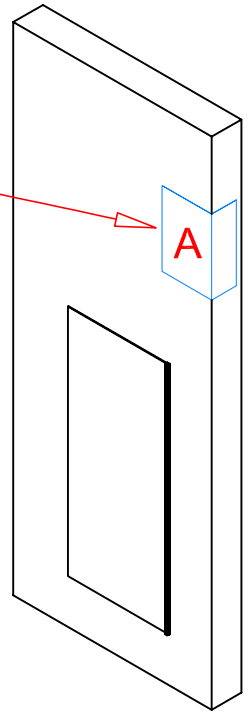
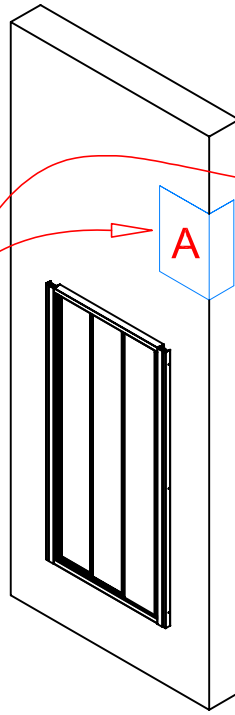
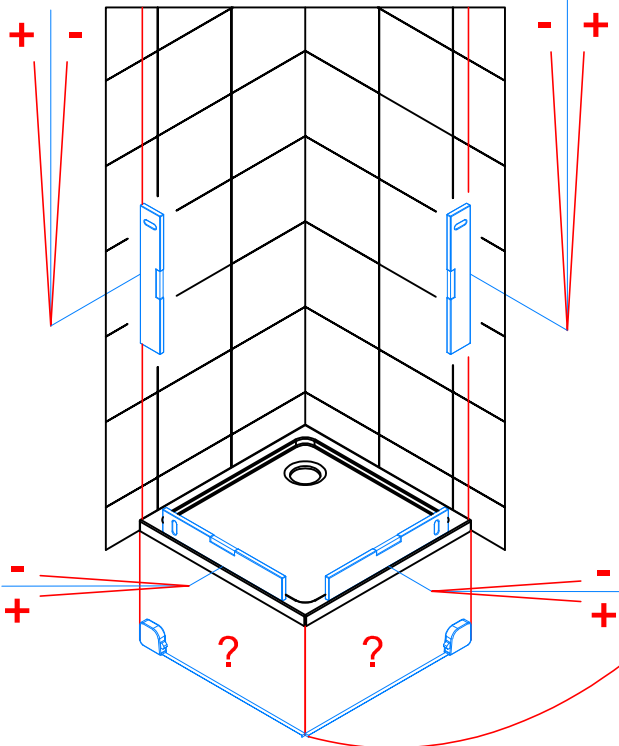
1x



	 1 x 11221	 2 x 14196	 6 x 14295 4.2x32mm	 6 x 16000 ϕ 6mm
	 2 x 81125.XX	 2 x 81121.XX	 41399.XX	
	 6 x 81254.XX	 6 x 81253	 1 x 32102	

1X 82006.XXXX  	
	

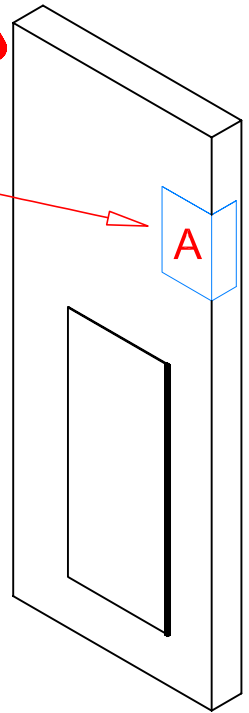
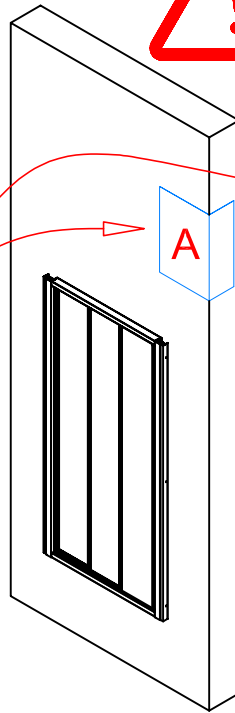
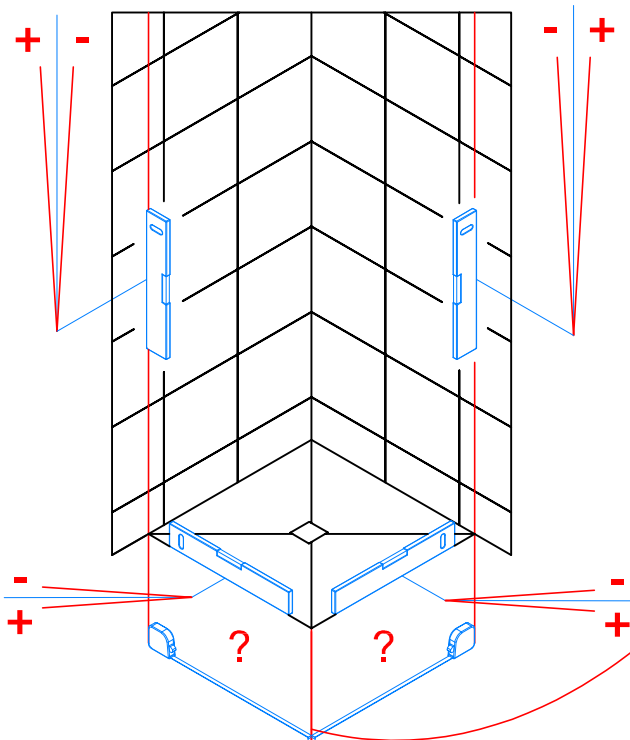
 1 x 81122.XX	 1 x 51209
 1 x 81123.XX	 1 x 81124.XX



A	
STD	SM
-20 ; +10	-10 ; +20

A	
STD	SM
-20 ; +5	-10 ; +15

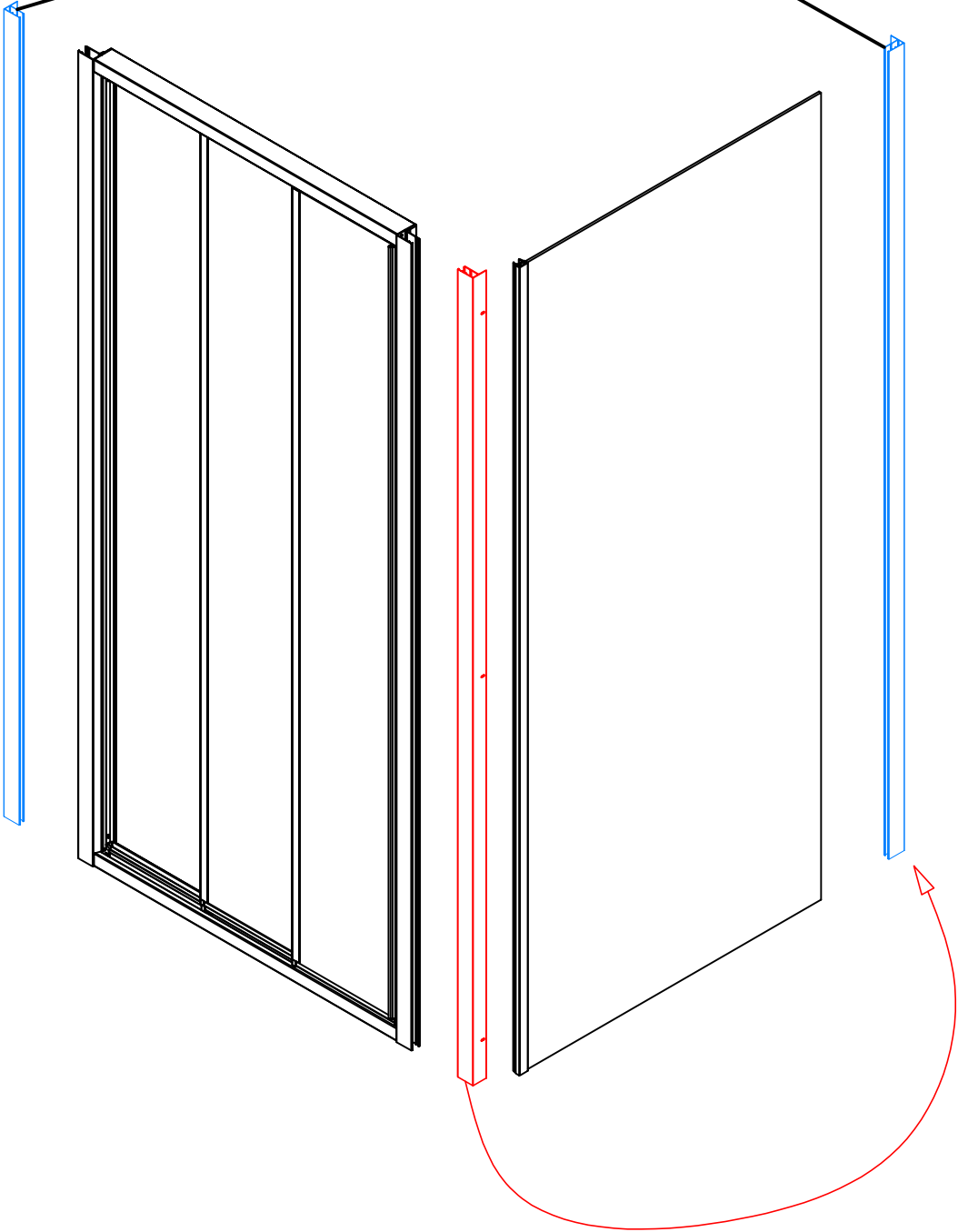
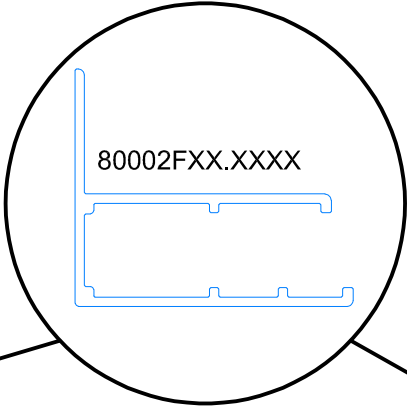
8.

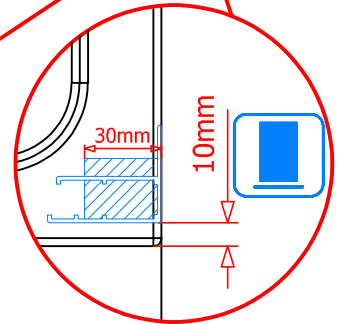
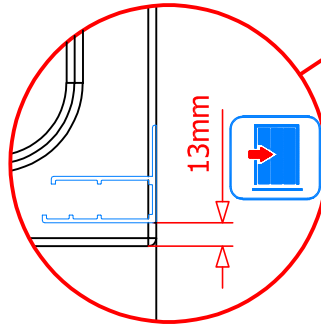
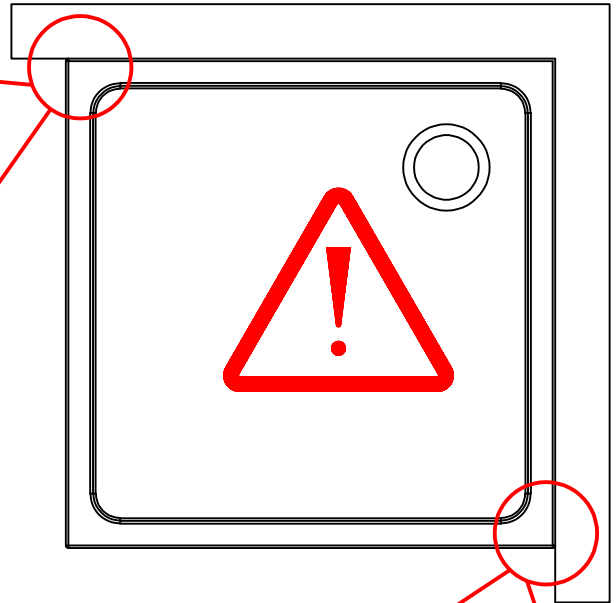
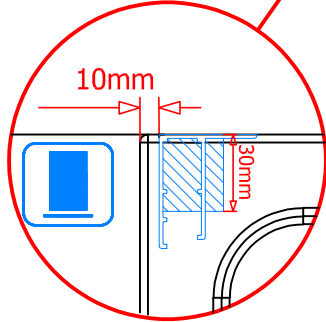
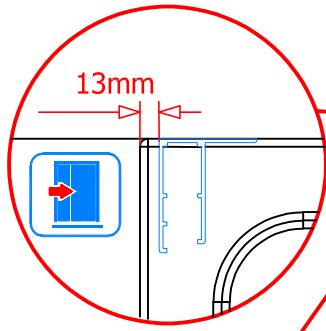
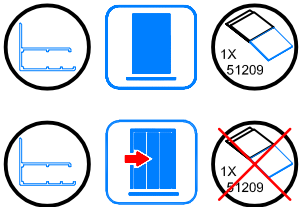
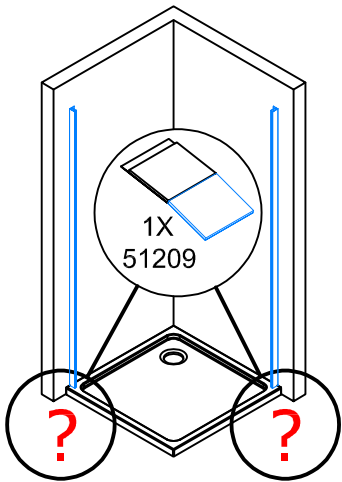


A	
STD	SM
-36 ; -6	-10 ; +20

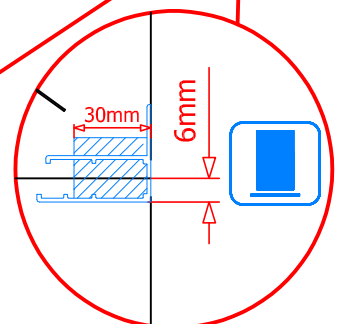
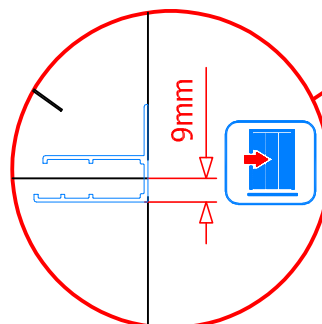
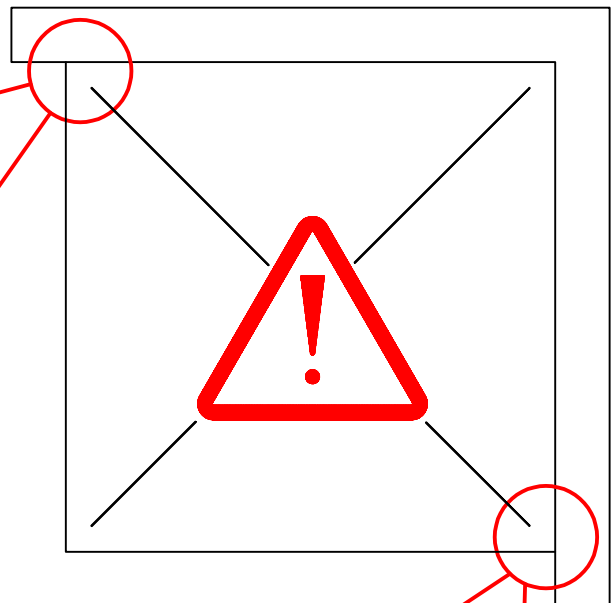
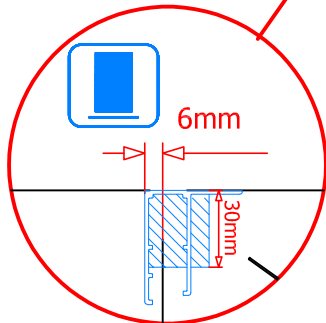
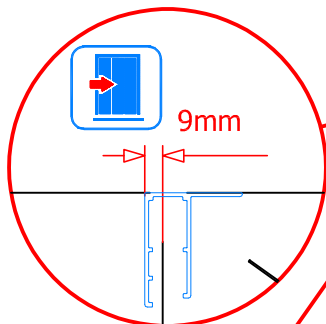
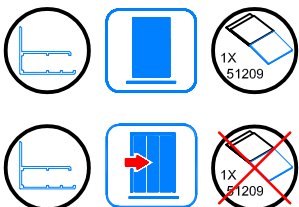
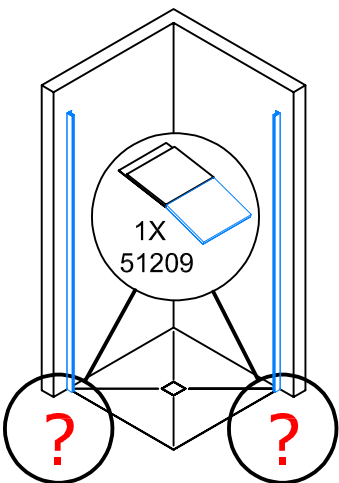
A	
STD	SM
-42 ; -17	-10 ; +15

9.



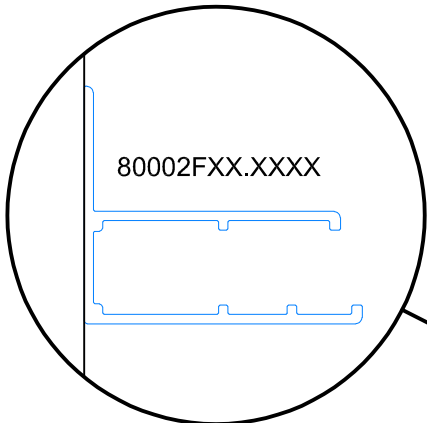


10.



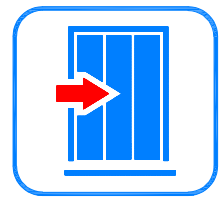
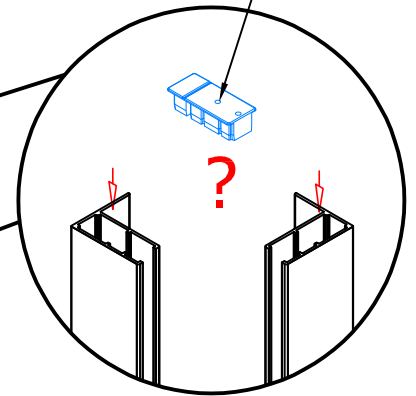
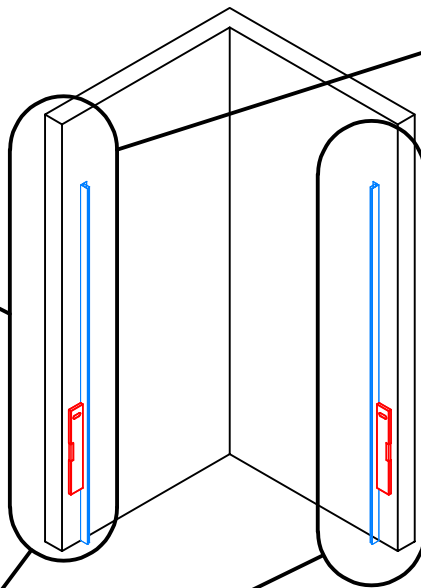
11.1 → 11.5

11.5

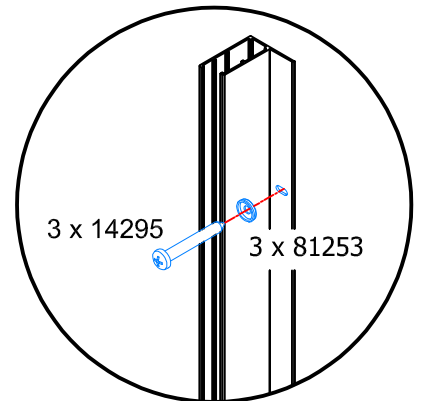
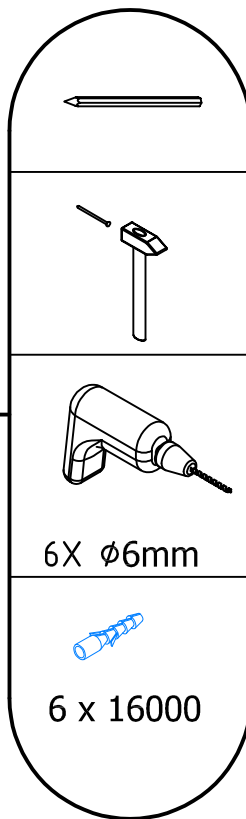
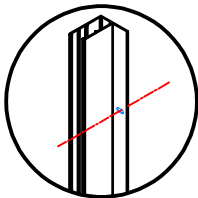
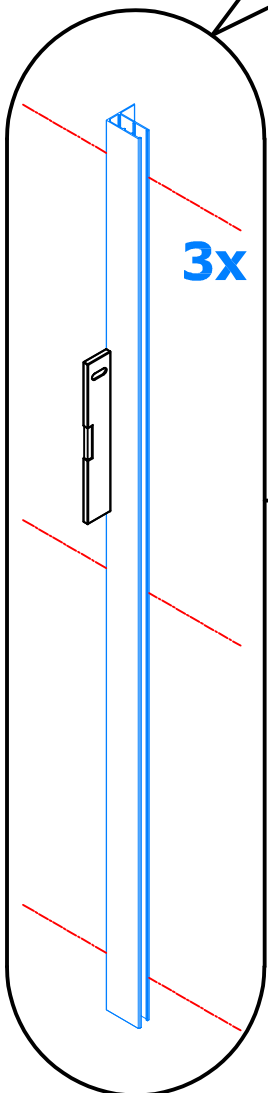


11.1

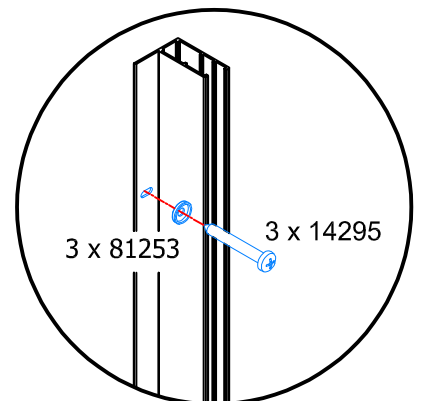
11.2



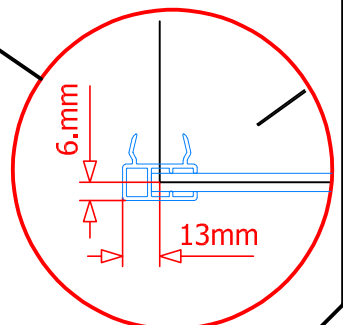
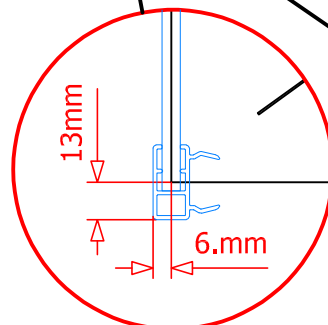
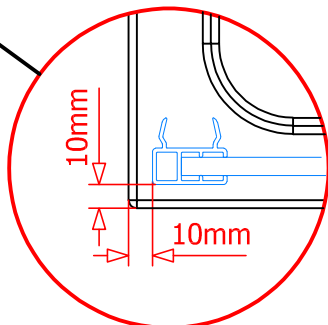
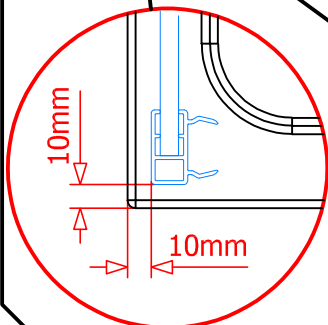
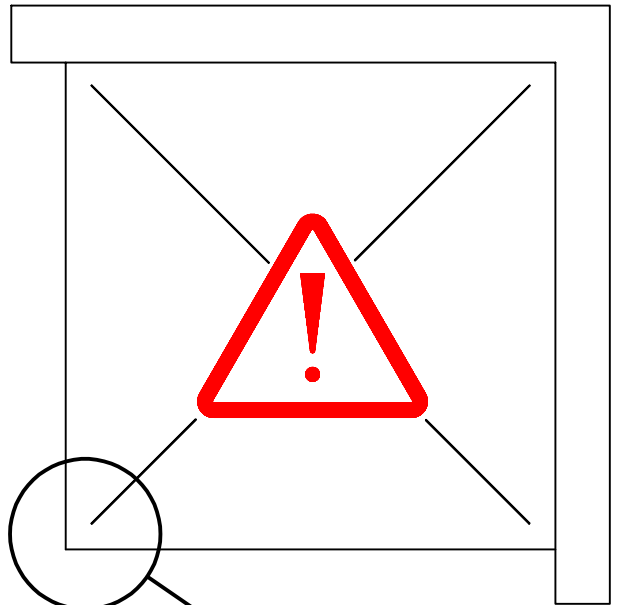
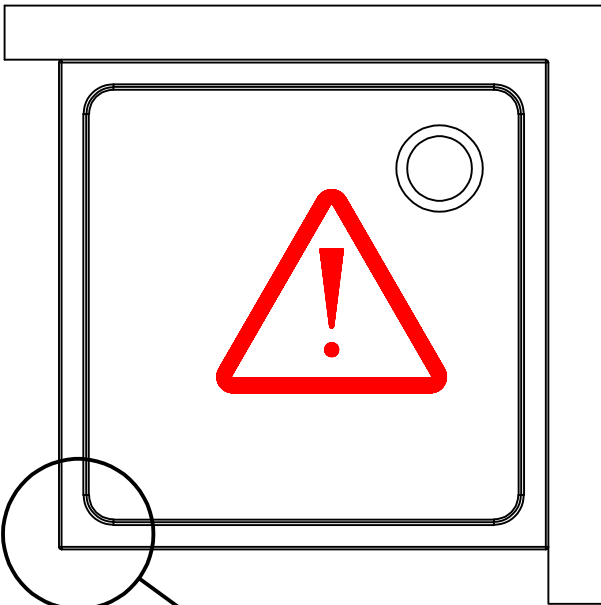
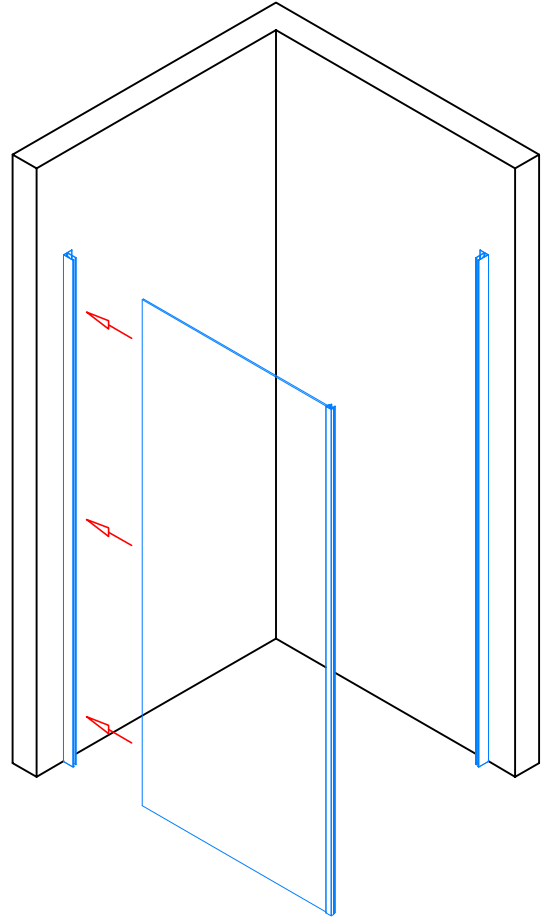
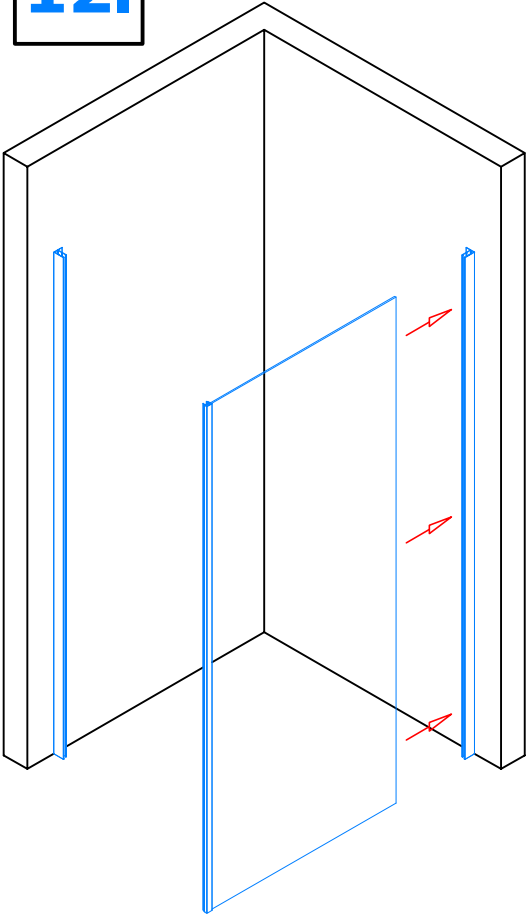
11.3



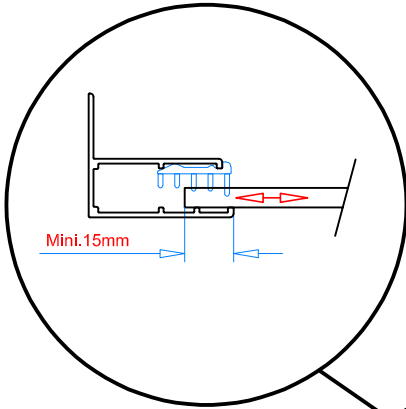
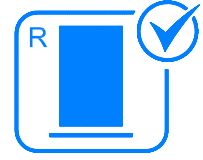
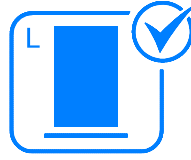
11.4



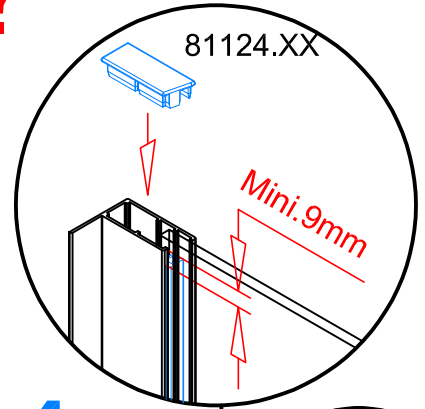
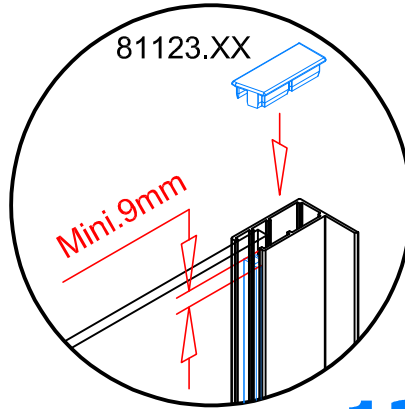
12.



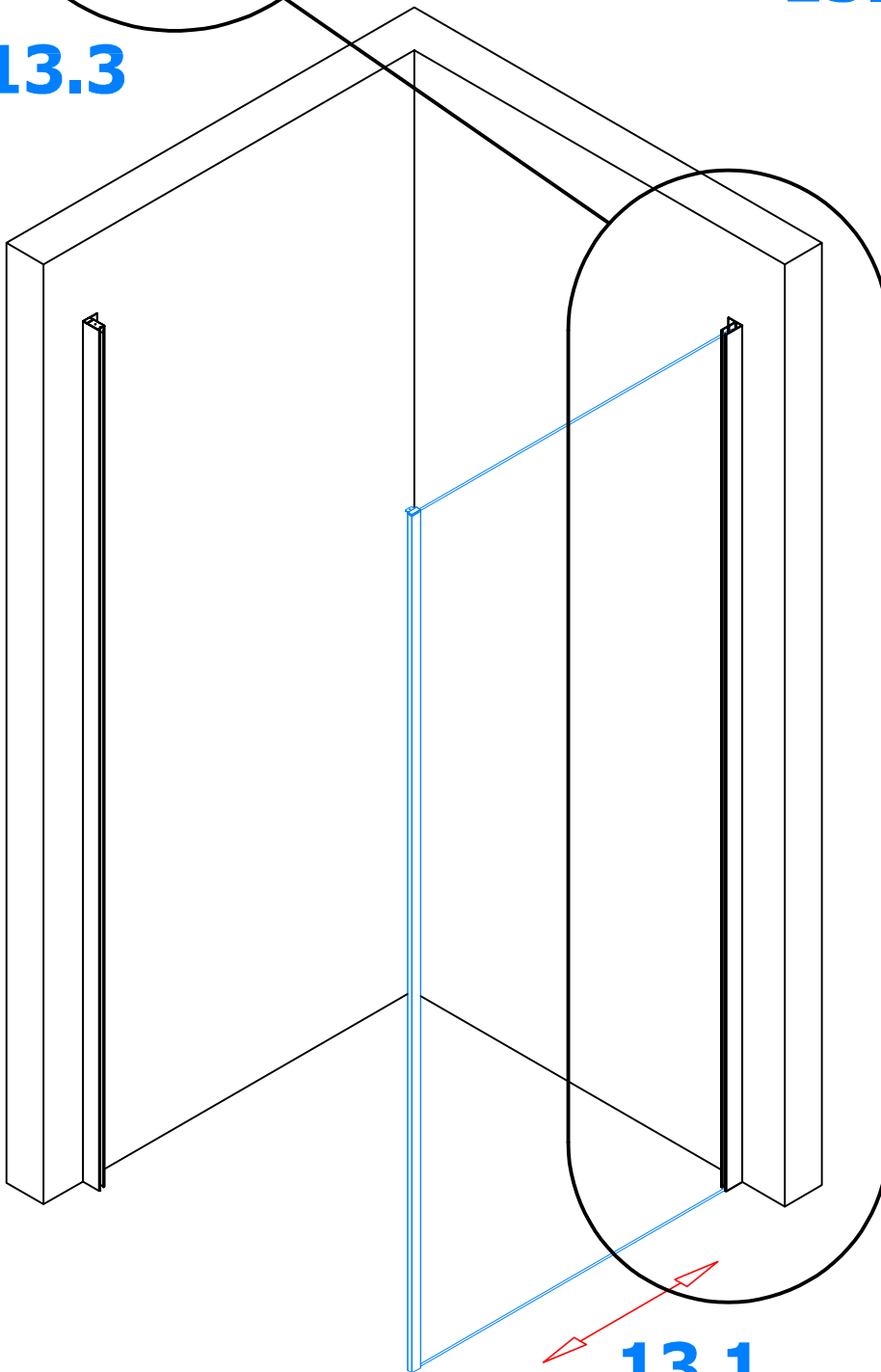
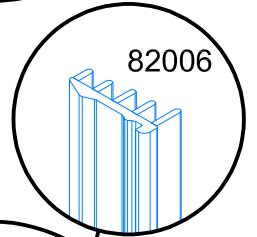
13.1 → 13.4



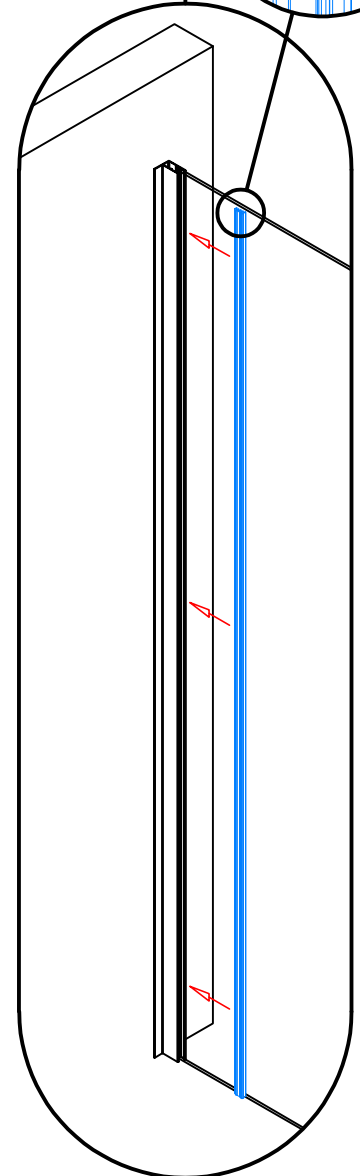
13.3



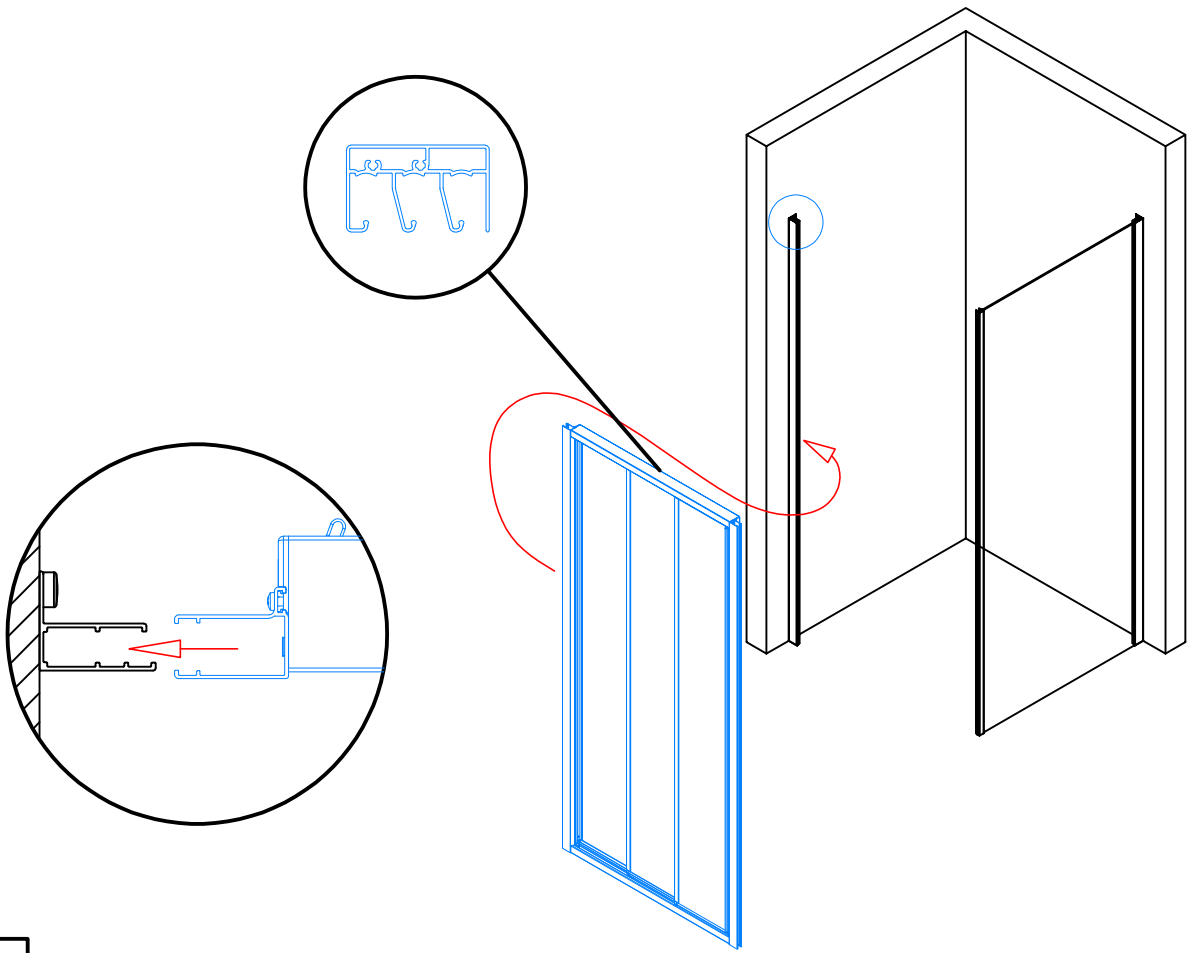
13.4



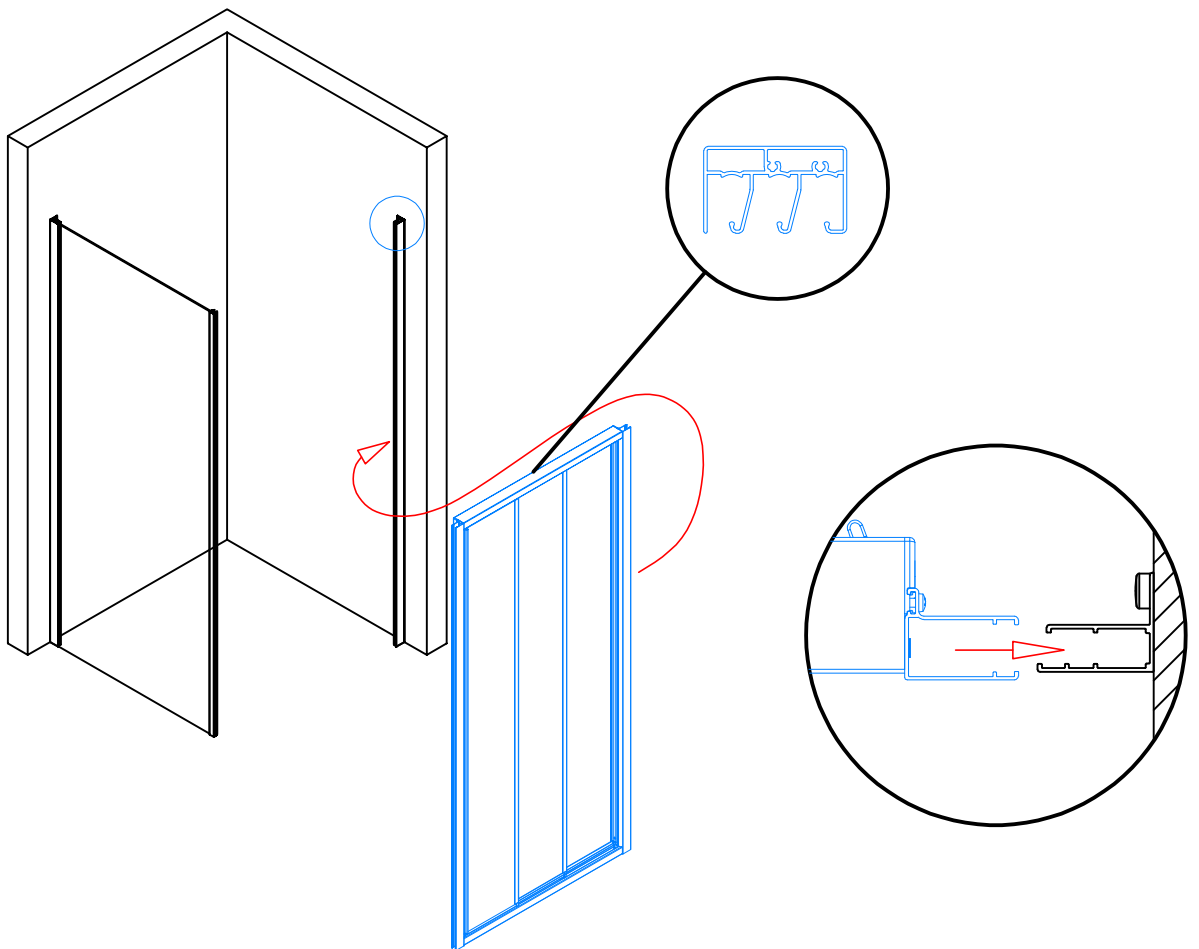
13.1



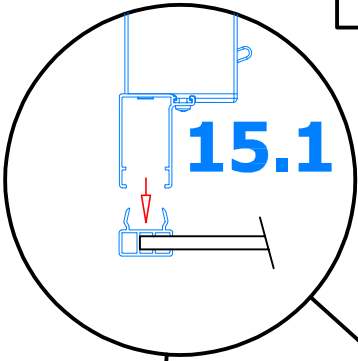
13.2



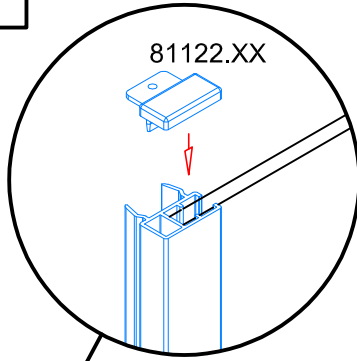
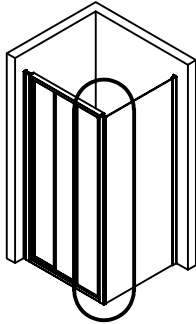
14.



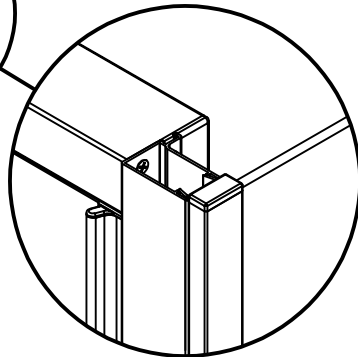
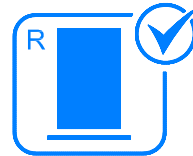
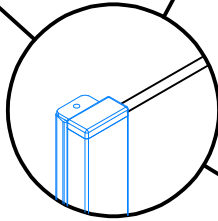
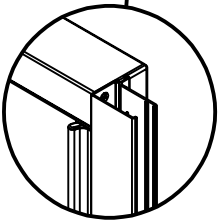
15.1 → 15.3



15.1



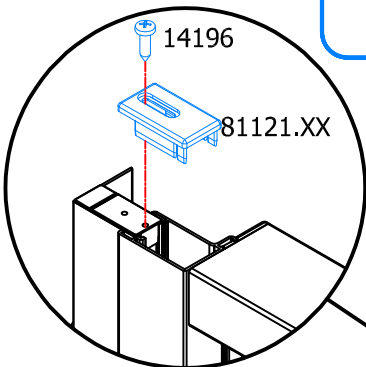
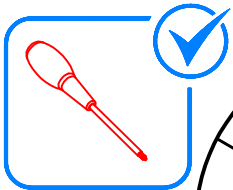
15.2



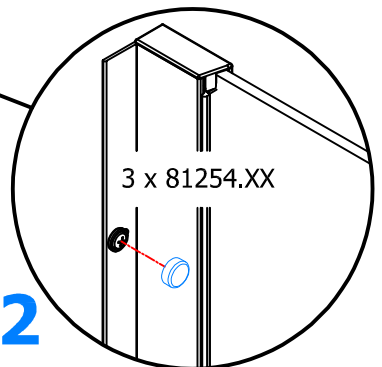
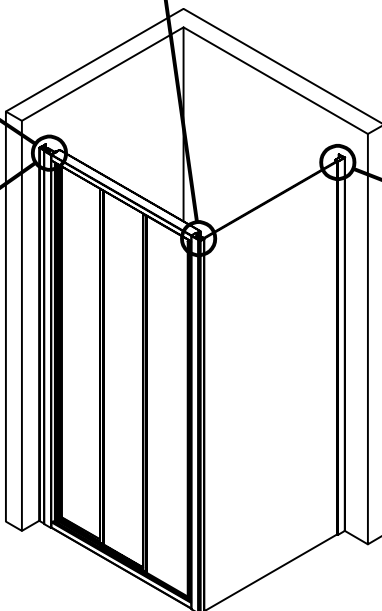
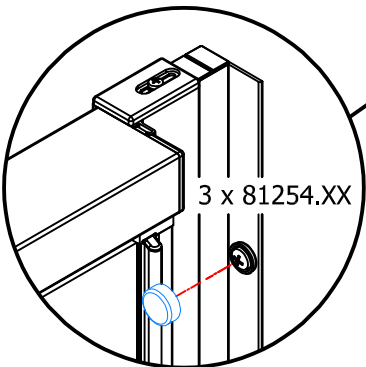
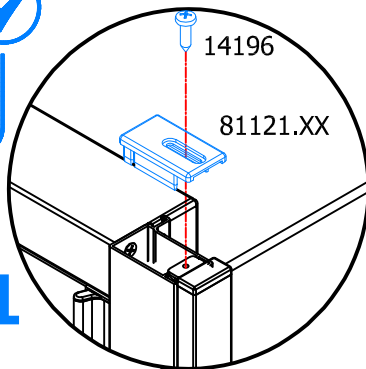
15.3



16.1 → 16.2



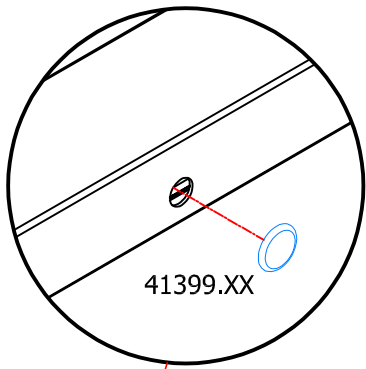
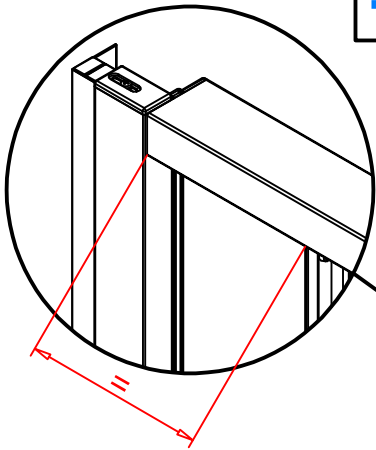
16.1



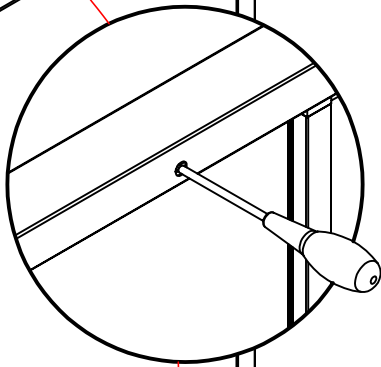
16.2

17.1 → 17.4

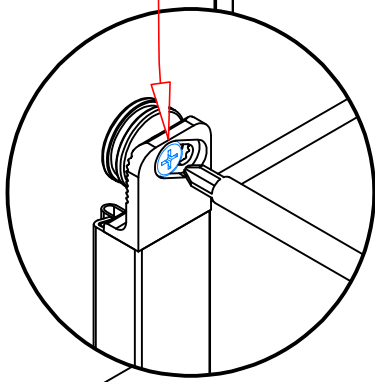
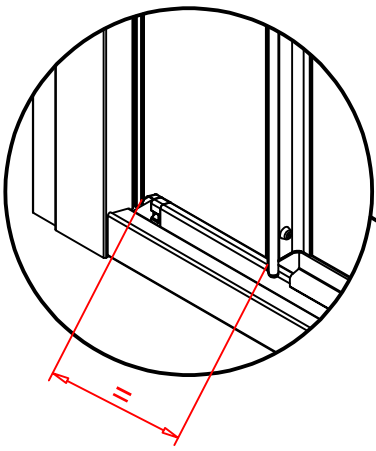
17.3



17.1



17.2

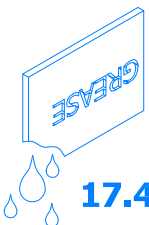


17.4

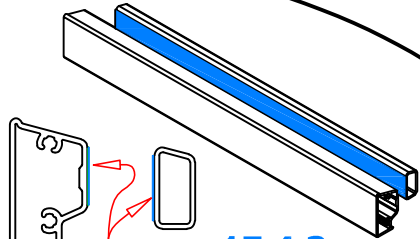
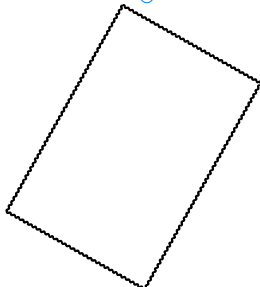
32102



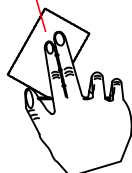
17.4.1



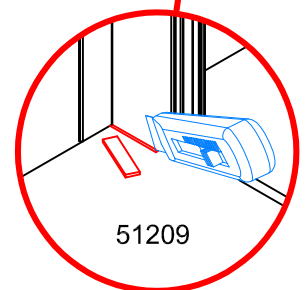
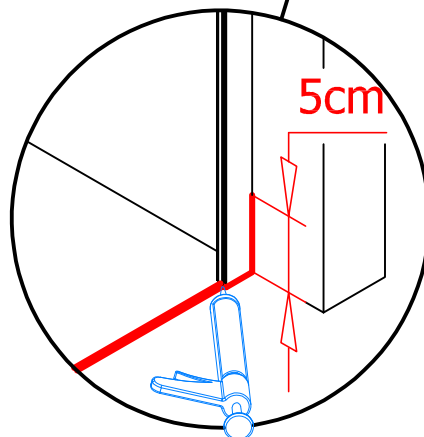
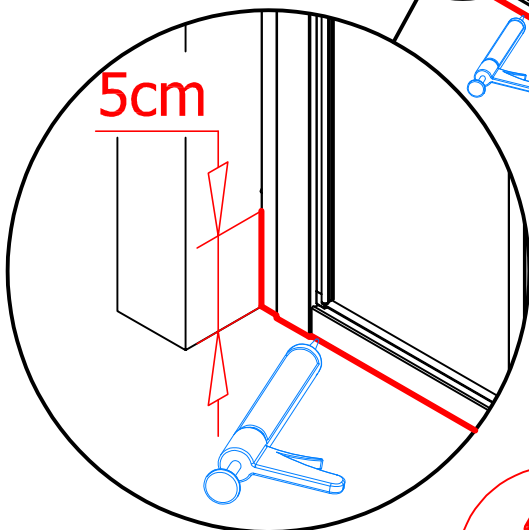
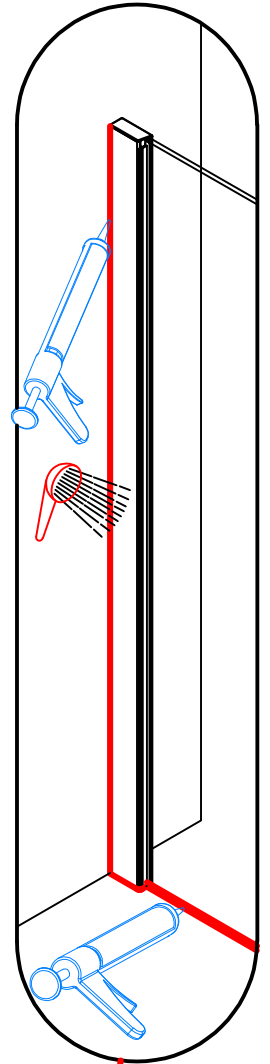
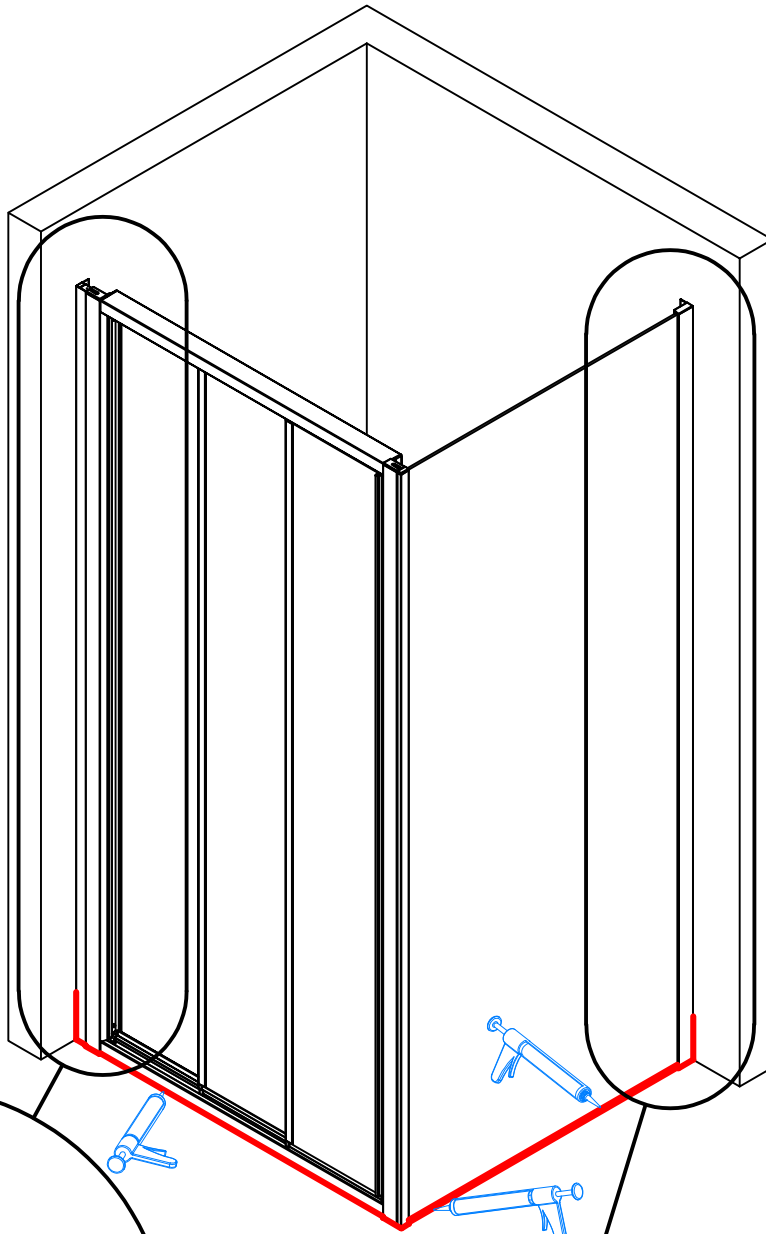
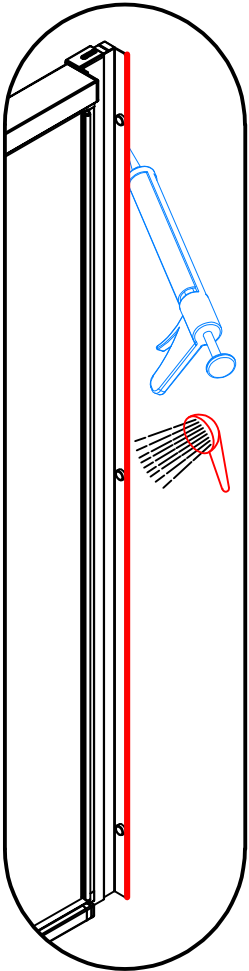
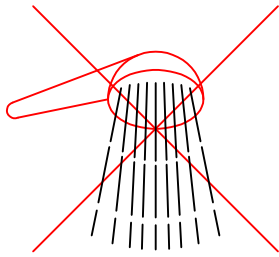
17.4.2



17.4.3



18



D20S3 + D20F1

