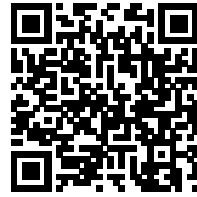
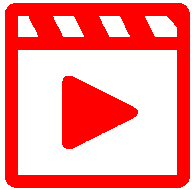
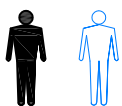
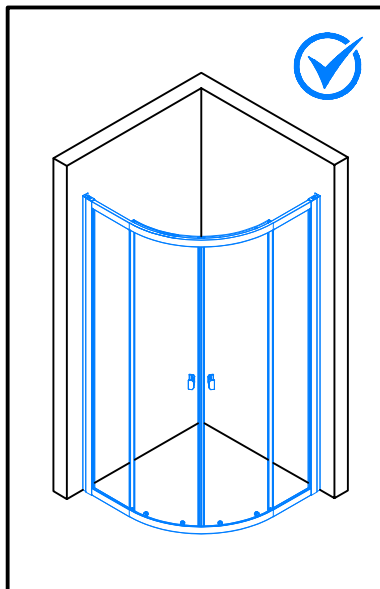


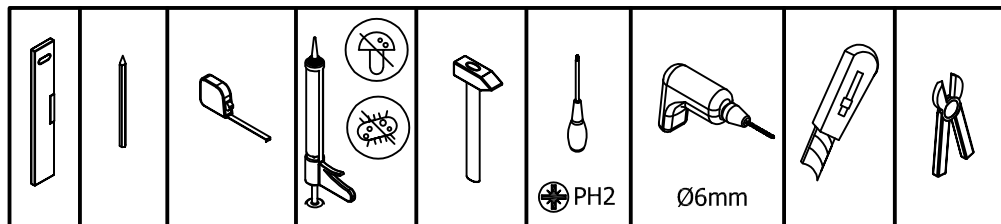
# 19804

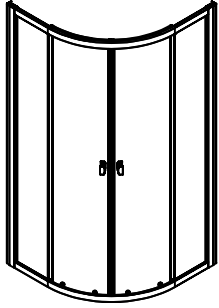







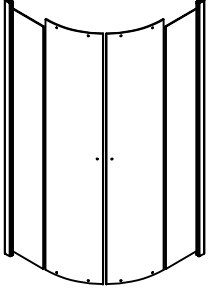
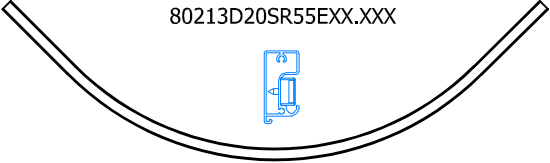






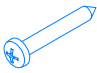


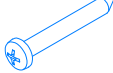

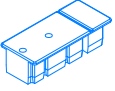
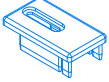













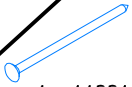
D20SR

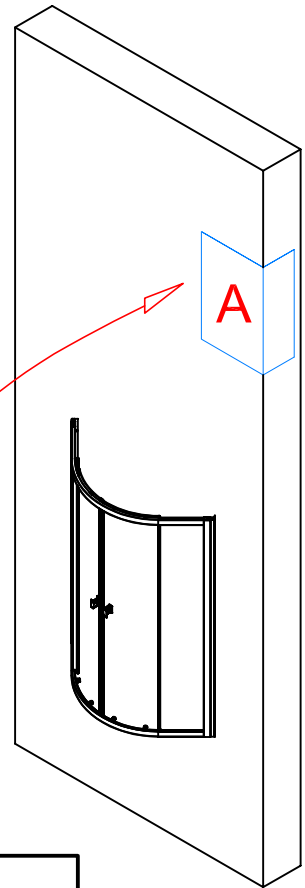
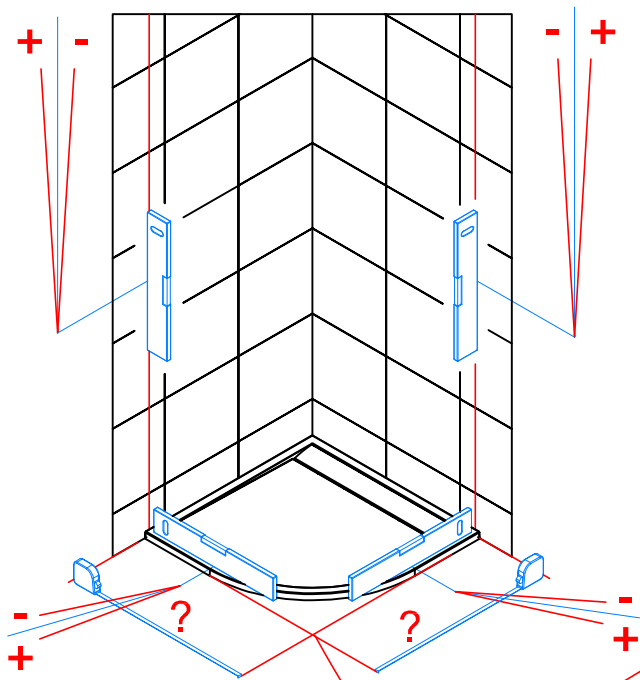


1x



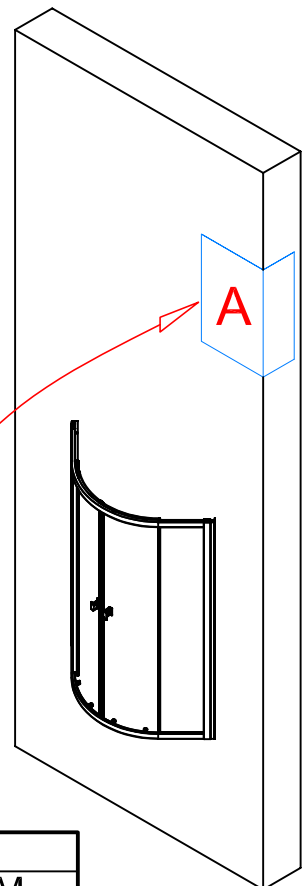
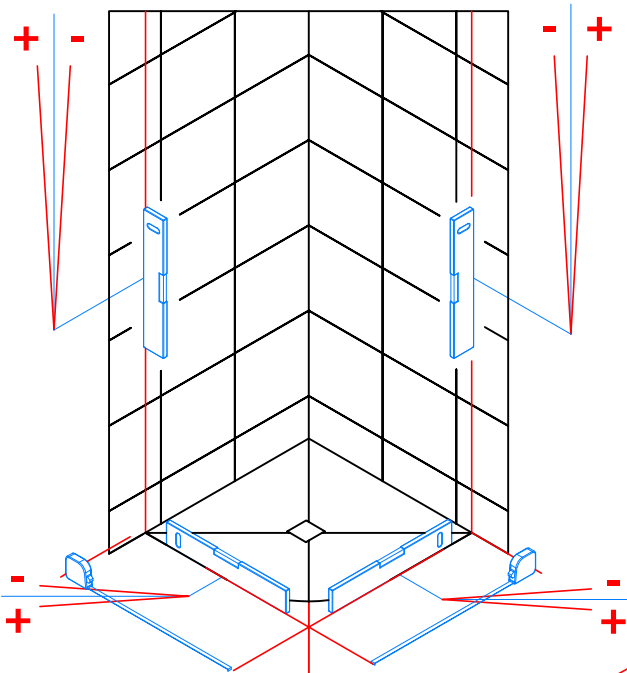
	<p>2X 80002FXX.XXXX</p>  	<p>2X 82014.XXXX</p>  	<p>2X 82025FXXXX 2X 82025.XXXX</p>   	
<p>2X 80213D20SR55EXX.XXX</p>  		<p>2X 82212.XXXX</p>  		

	 <p>8 x 14016 3.5 X 25mm</p>	<p>4 x 14003 3.5 x 9.5mm</p>   <p>2 x 14196 3.5 x 13mm</p>	 <p>6 x 14295 4.2x32mm</p>	 <p>6 x 16000 Ø 6mm</p>
	 <p>2 x 81125.XX</p>	 <p>2 x 81121.XX</p>	 <p>4 x MT8004.XX</p>	 <p>4 x MT8002.XX</p>
	 <p>8 x 81393.XX</p>	 <p>2 x MT0471.XX</p>	<p>2 x 81065</p>   <p>2 x 81064</p>	<p>4 x 81164.XX</p>   <p>4 x 81163.XX</p>
	<p>6 x 81253</p>   <p>6 x 81254.XX</p>	<p>2 x 81238</p>   <p>2 x 81185</p>	<p>1 x 17156 5 mm</p>   <p>1 x 11221</p>	

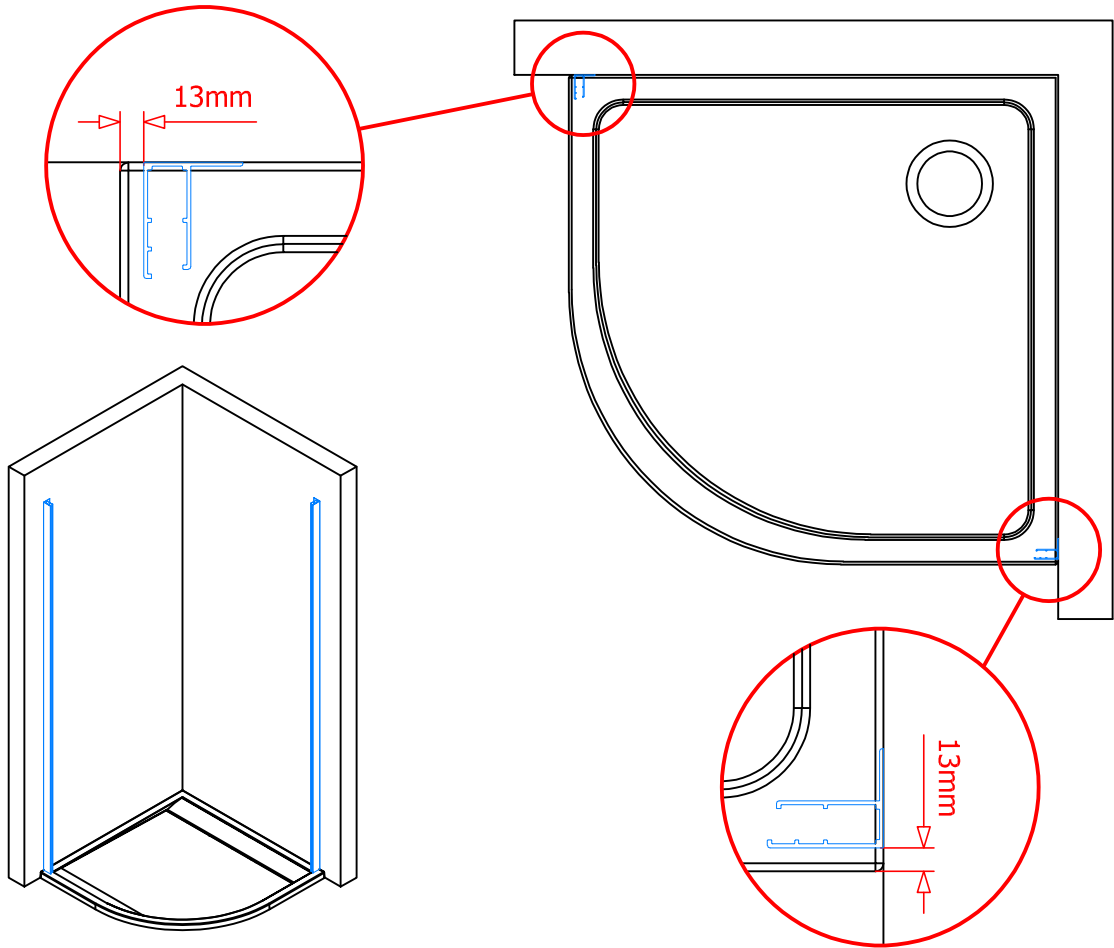


A	
STD	SM
-23 ; +7	-10 ; +20

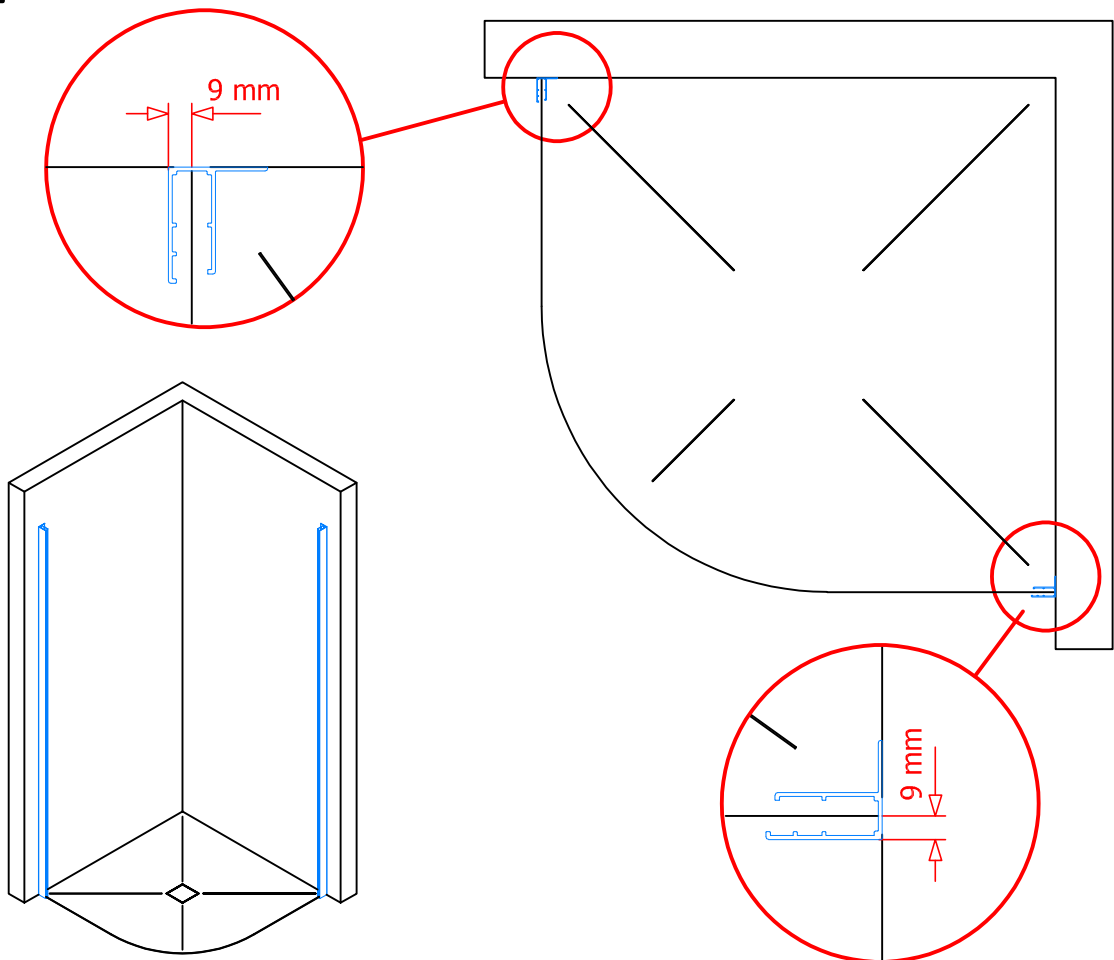
1.



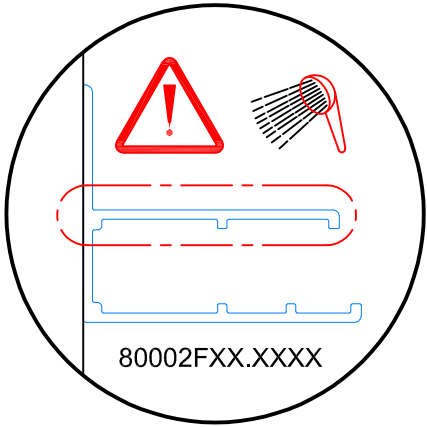
A	
STD	SM
-45 ; -15	-10 ; +20



2.

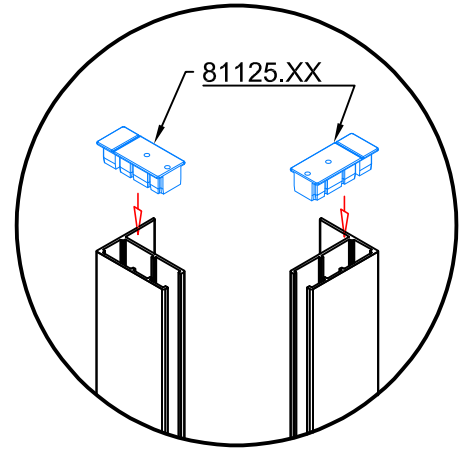
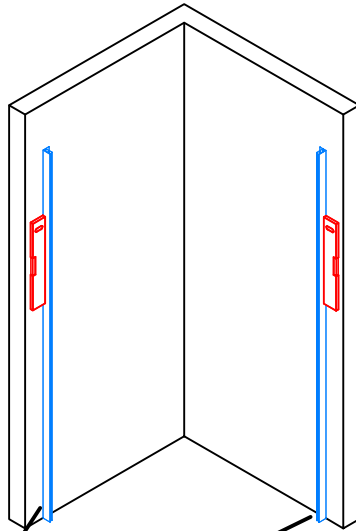


**3.1 → 3.4**

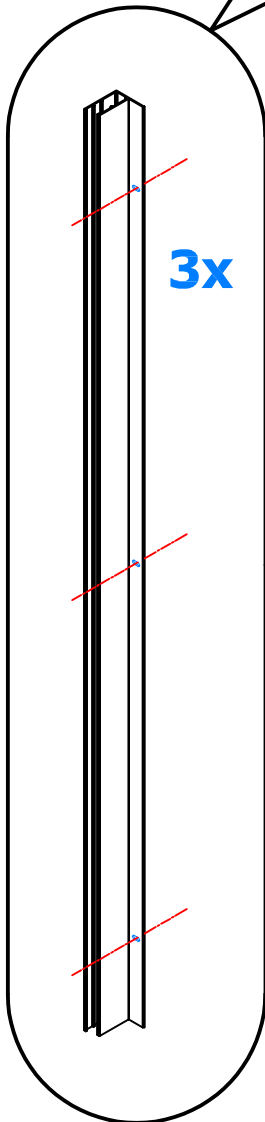


**3.1**

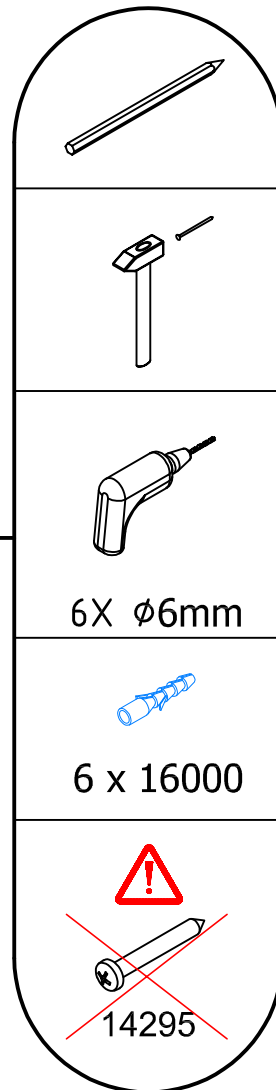
**3.2**



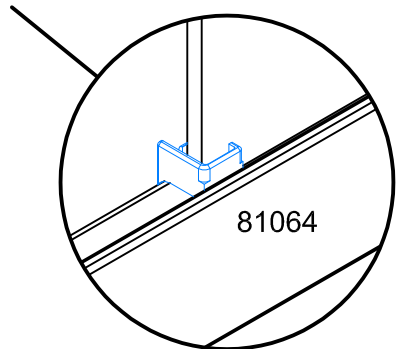
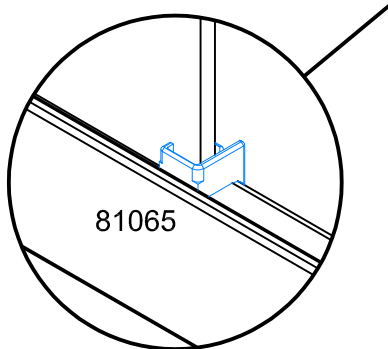
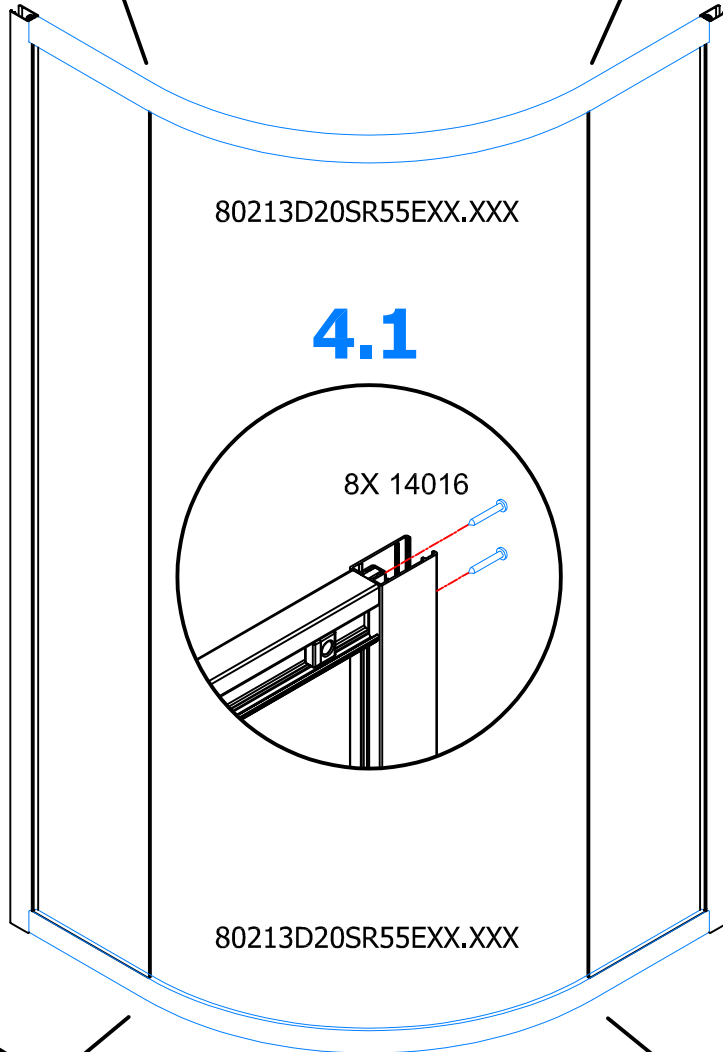
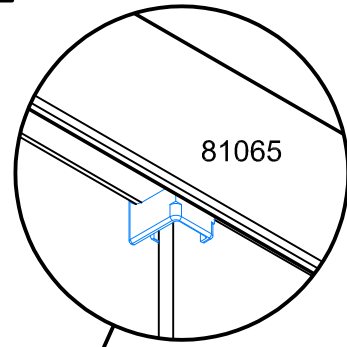
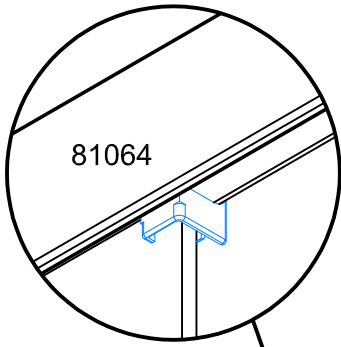
**3.4**



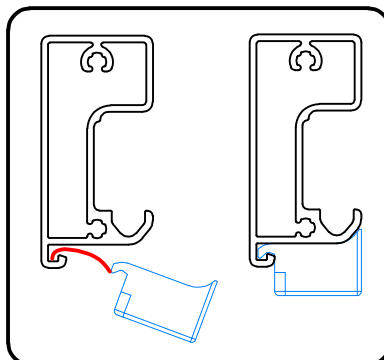
**3.3**



**4.1 → 4.2**



**4.2**

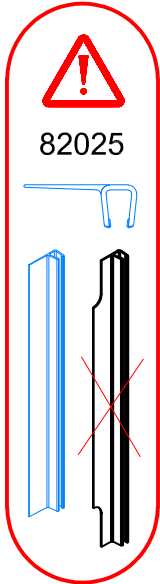


5.1 → 5.2

5.2

5.2

5.1



2

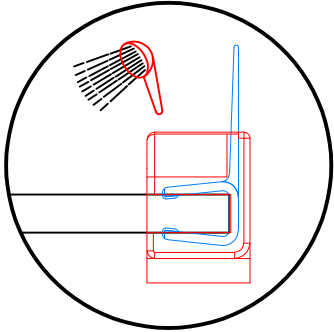
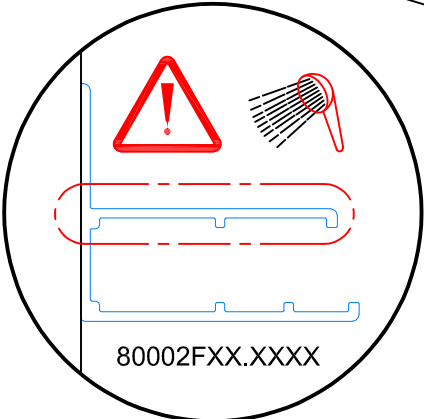
2

3

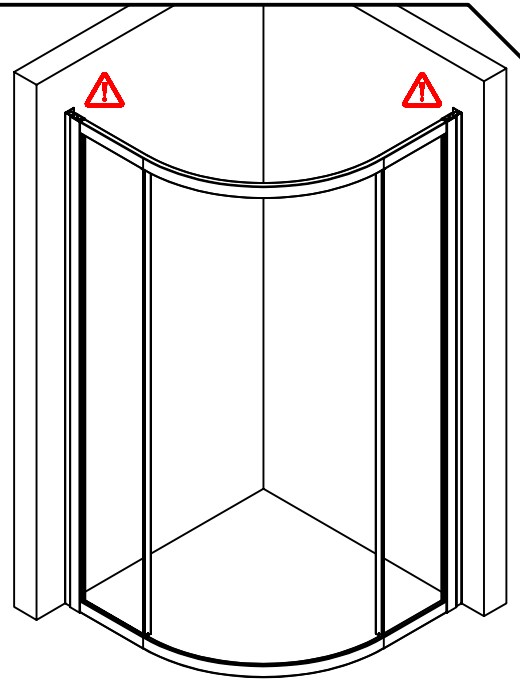
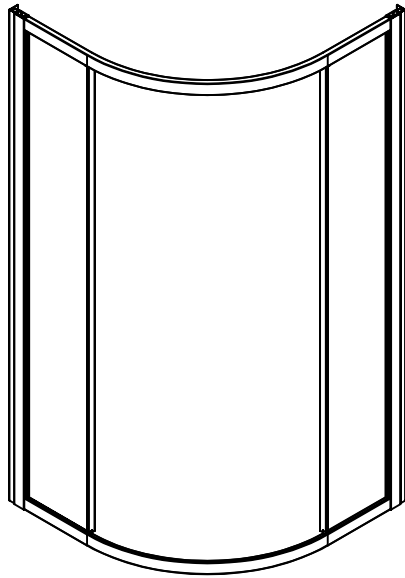
3

1

1

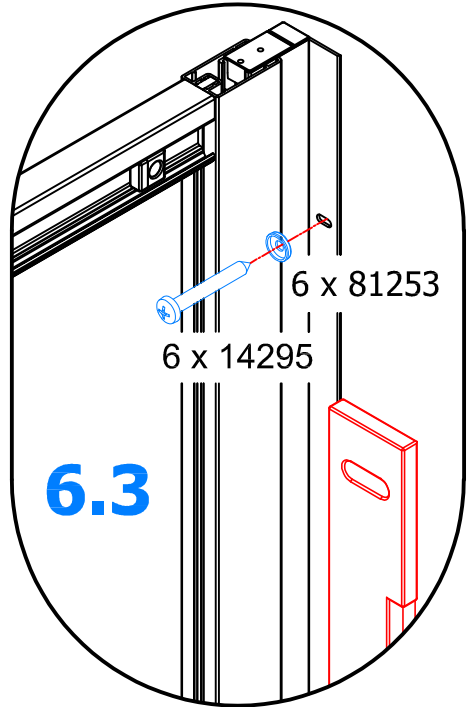
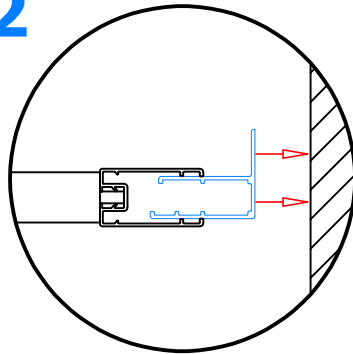
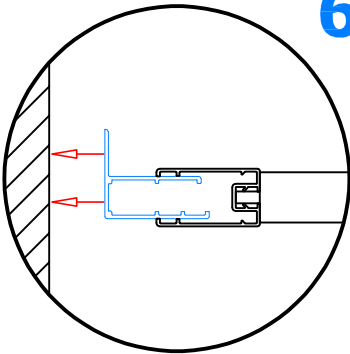


**6.1 → 6.3**



**6.1**

**6.2**



**6.3**

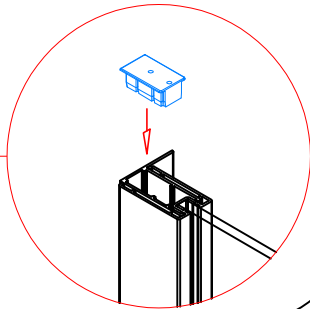
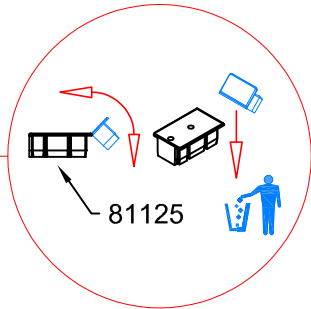
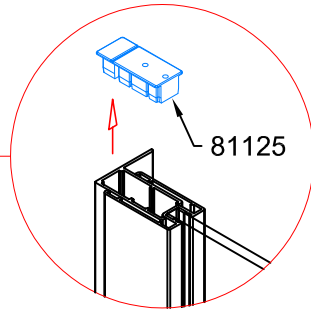
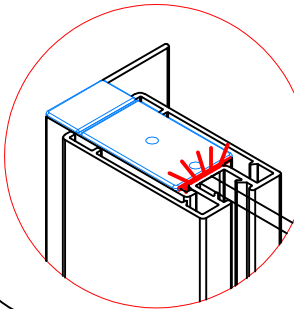


**1**

**2**

**3**

**4**

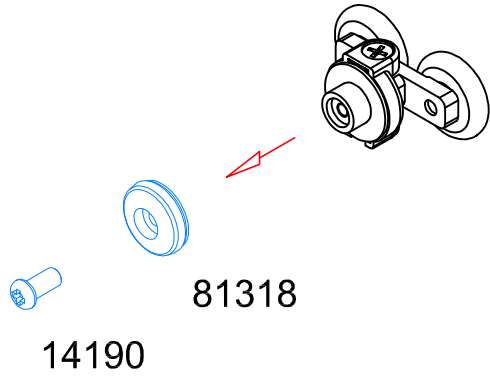




7.1 → 7.5

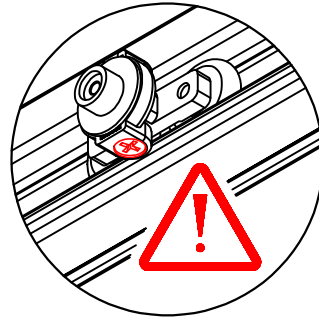
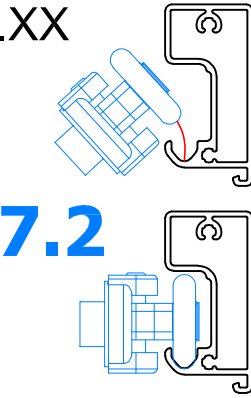
4X

MT8004.XX

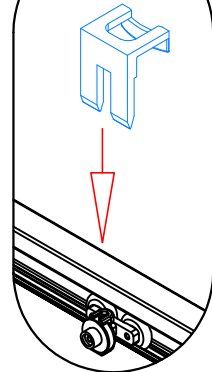


7.1

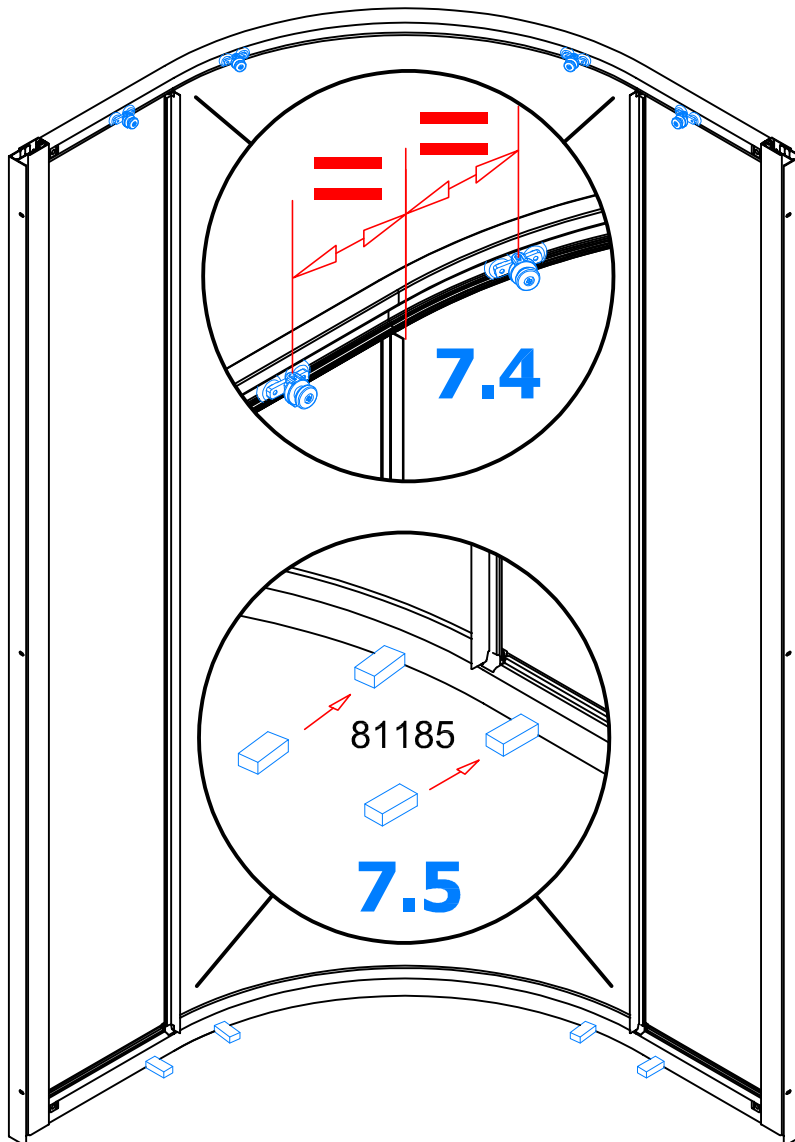
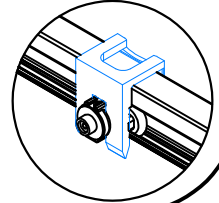
7.2



81238



7.3

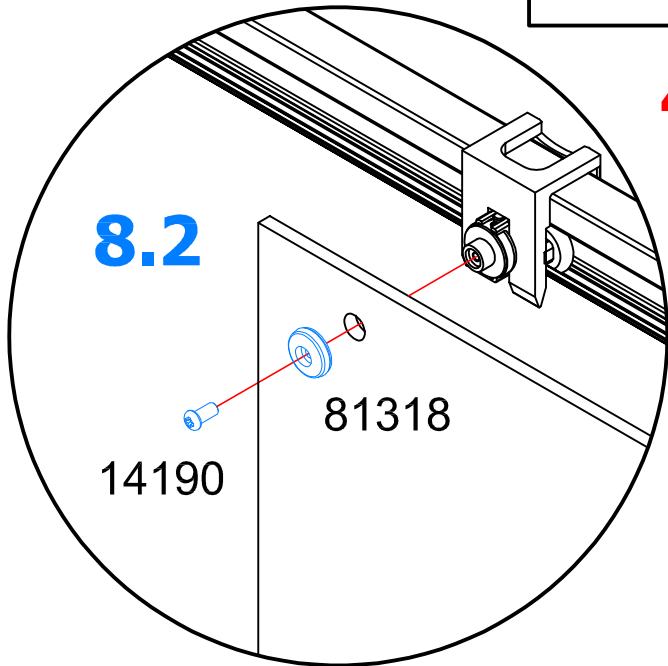


7.4

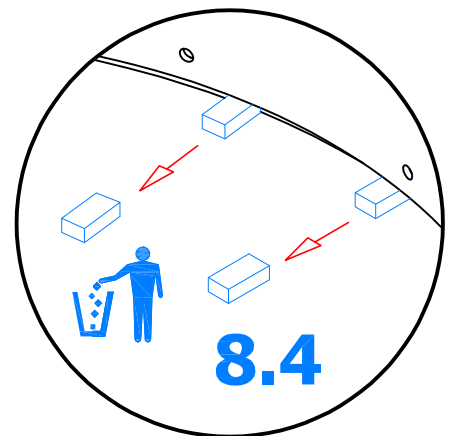
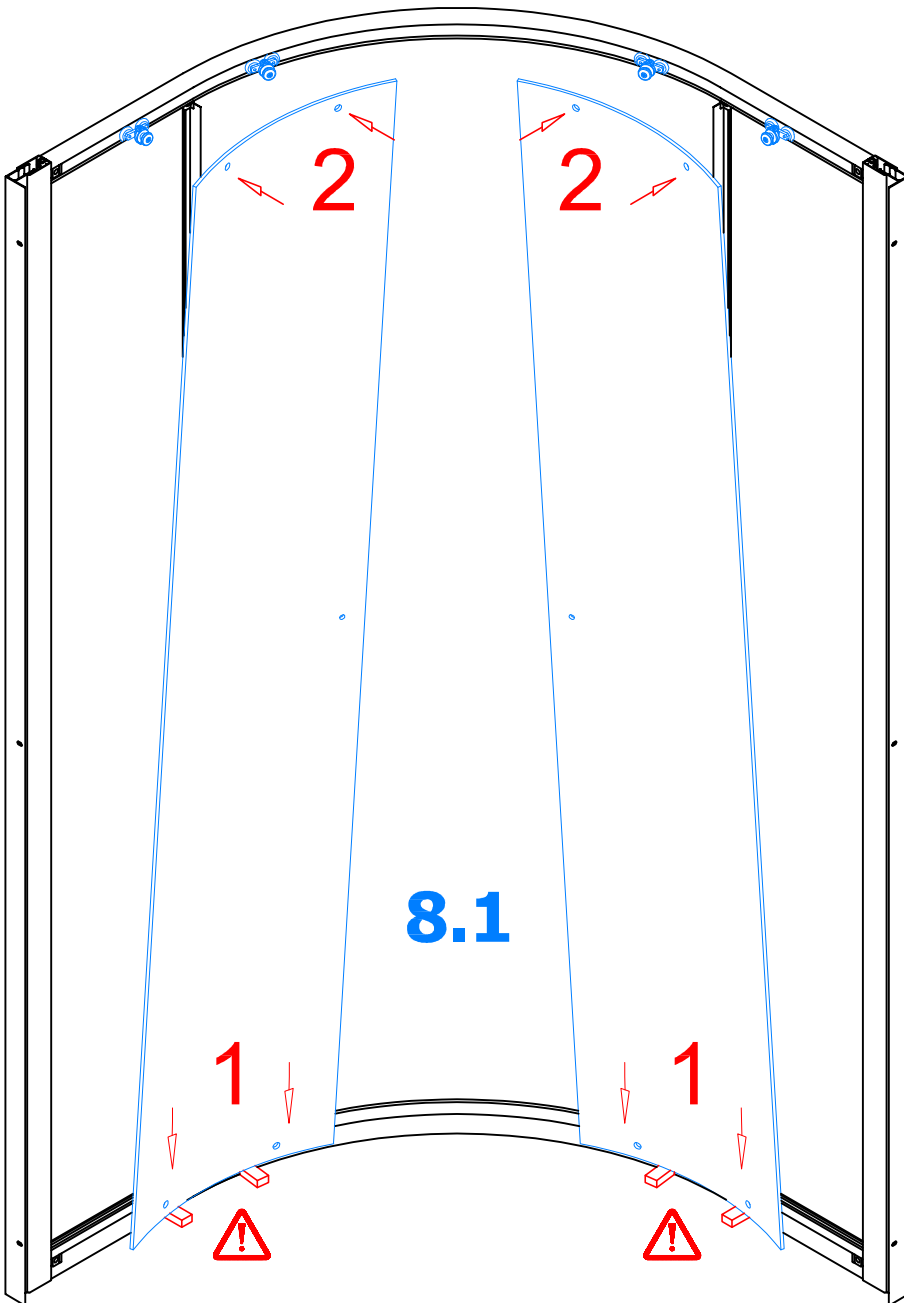
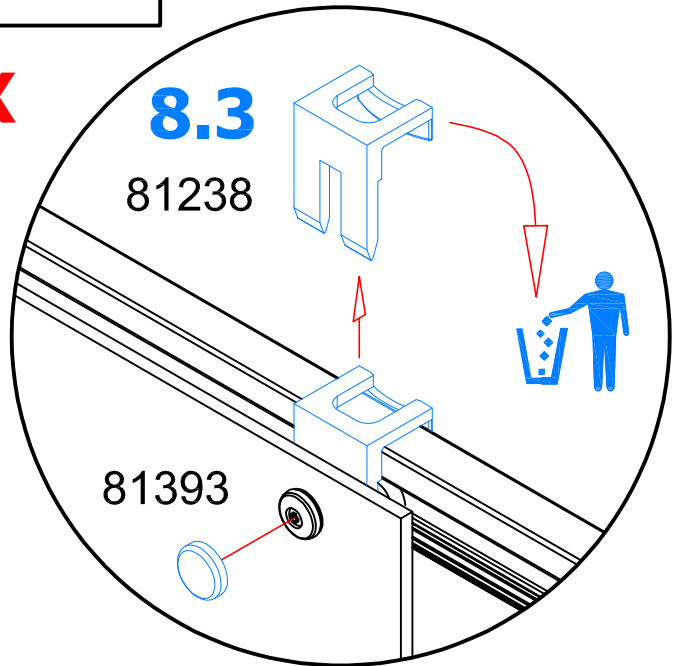
81185

7.5

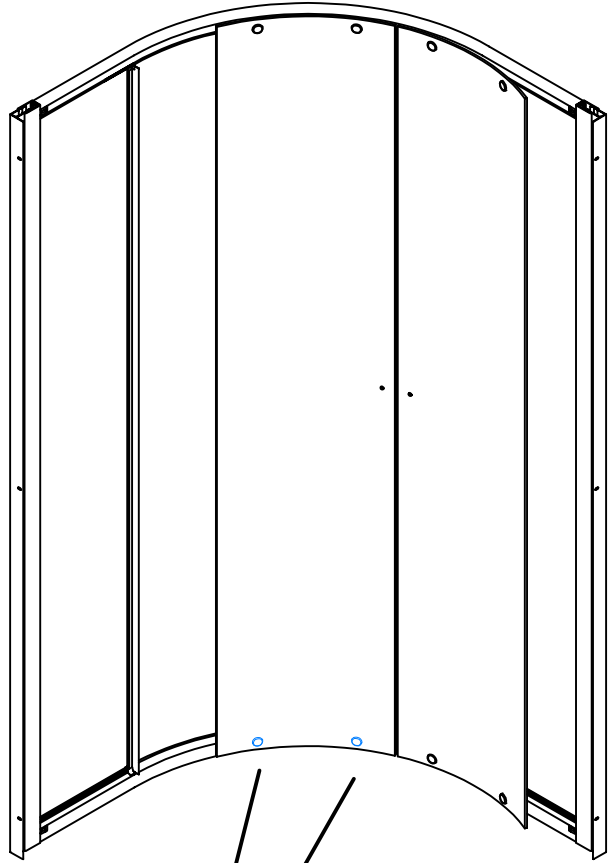
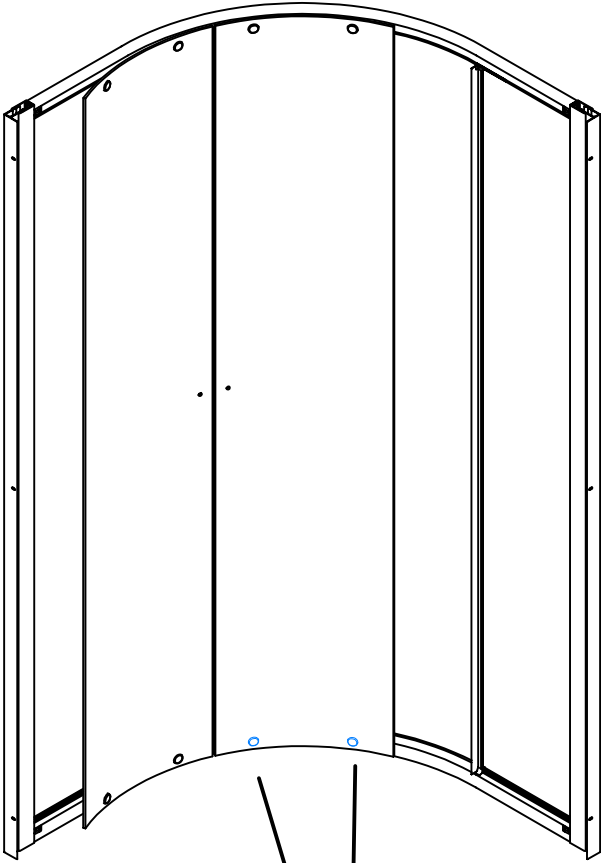
**8.1 → 8.4**



**4X**



**9.1 → 9.3**



**4X** MT8002.XX

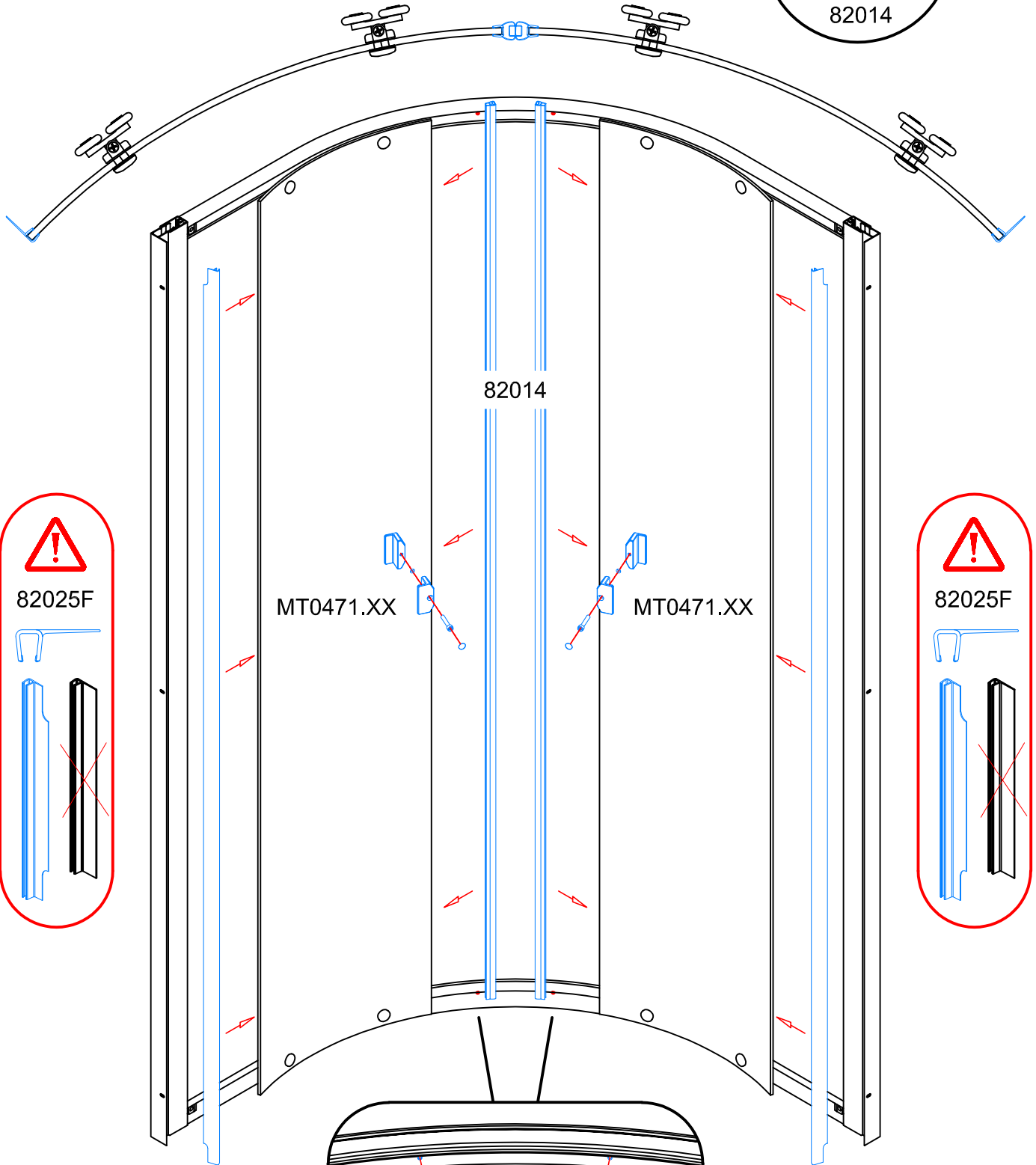
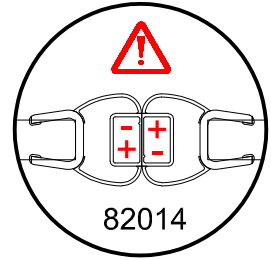
**9.1**  
81318  
14190

**9.2**

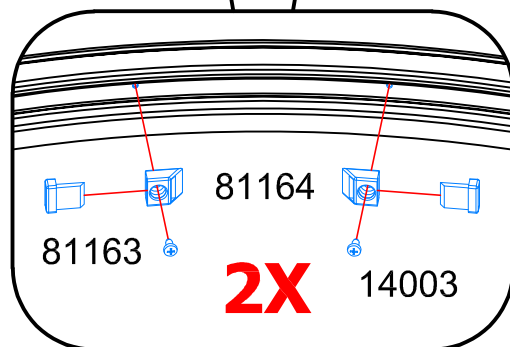
**9.3**  
81318  
14190  
81393

10.1 → 10.2

# 10.1

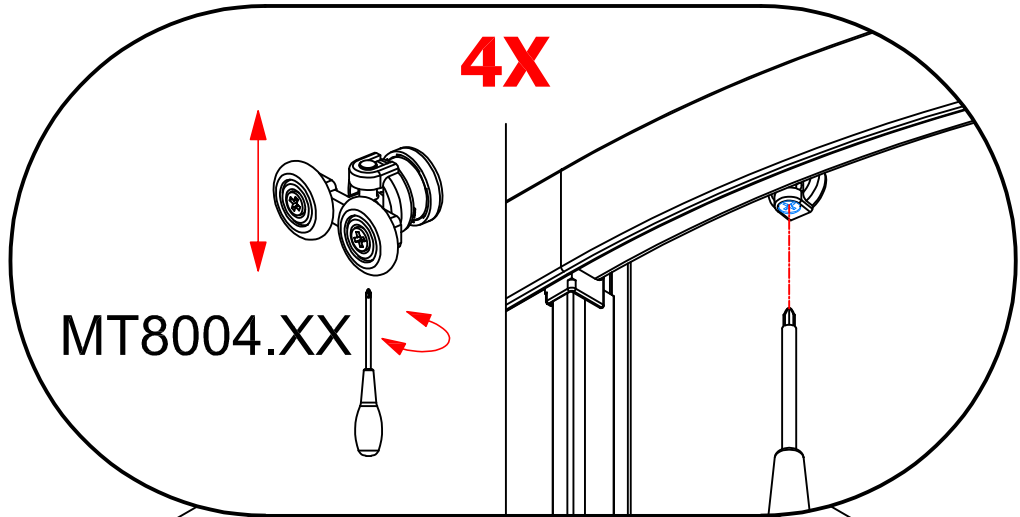


# 10.2

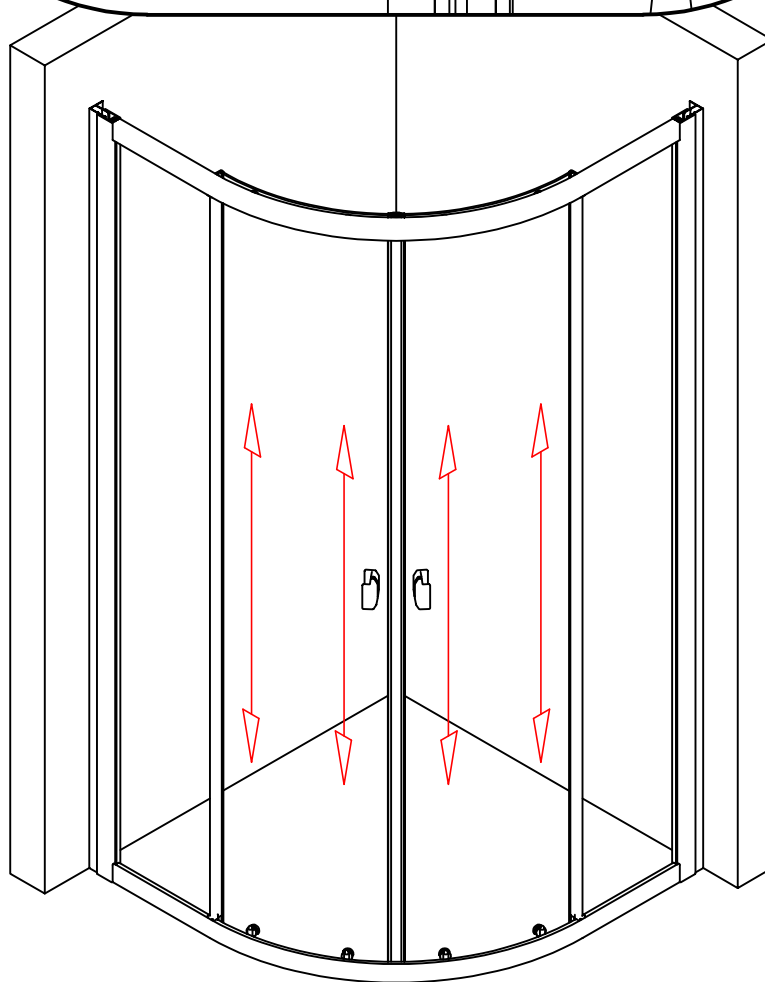
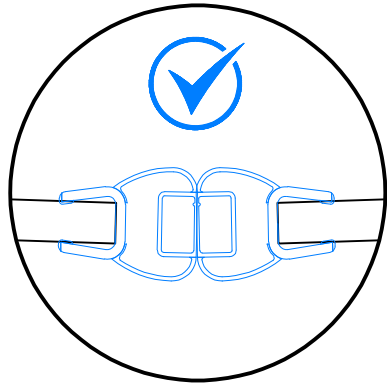


**11.**

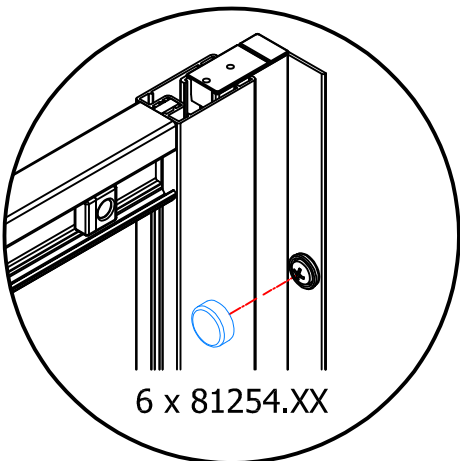
**4X**



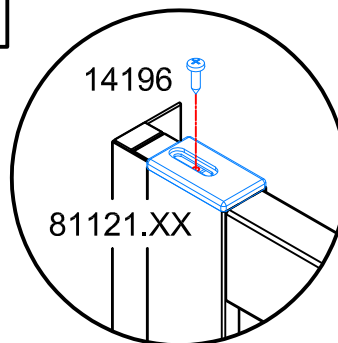
MT8004.XX



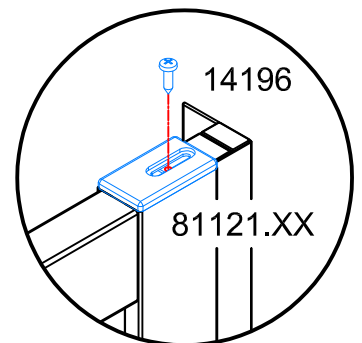
**12.**



6 x 81254.XX

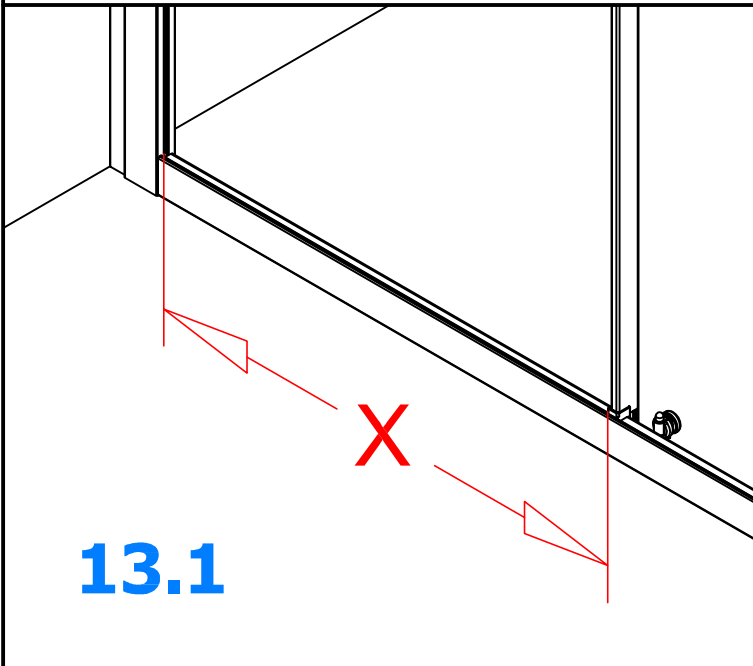
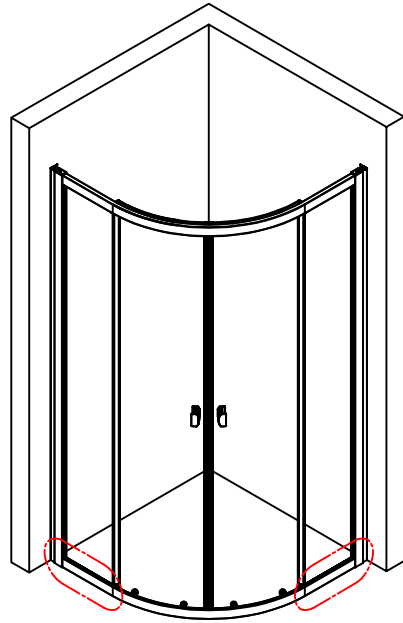


81121.XX

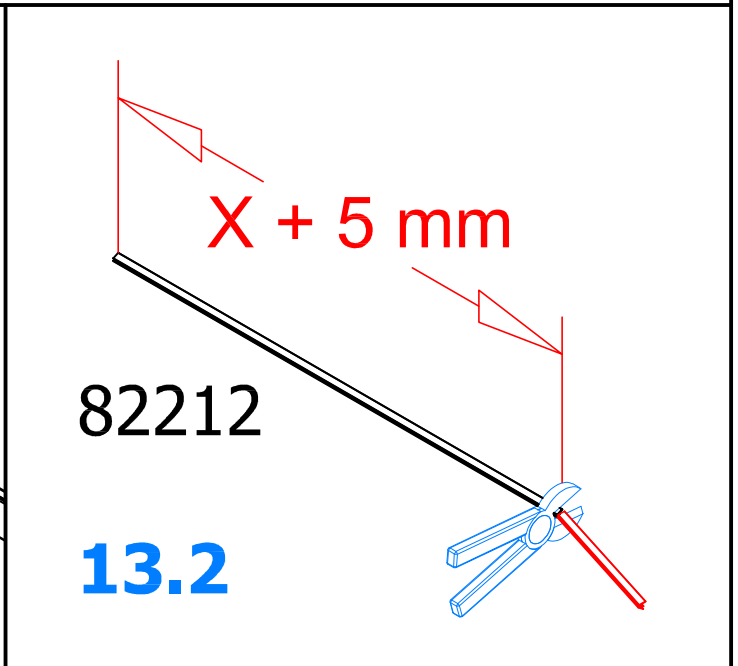


81121.XX

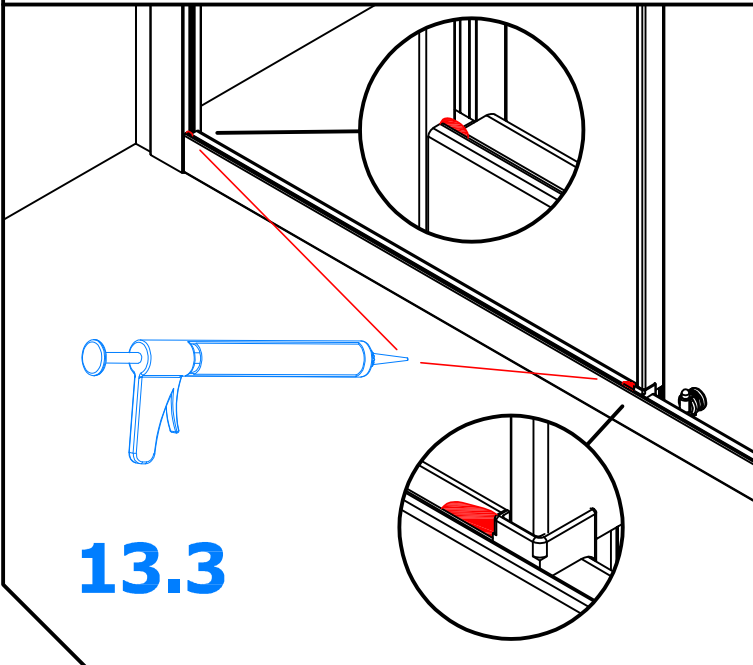
**13.1 → 13.4**



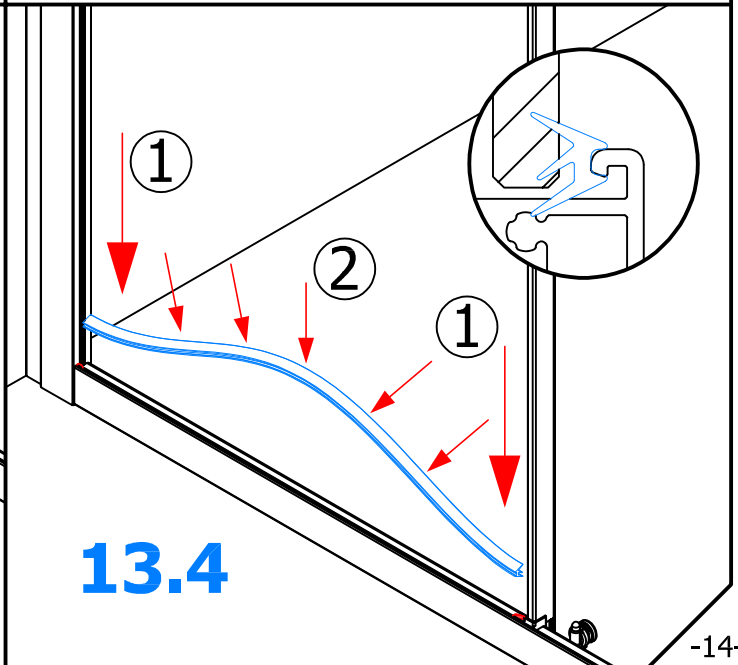
**13.1**



**13.2**



**13.3**



**13.4**

# 14.

