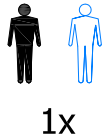
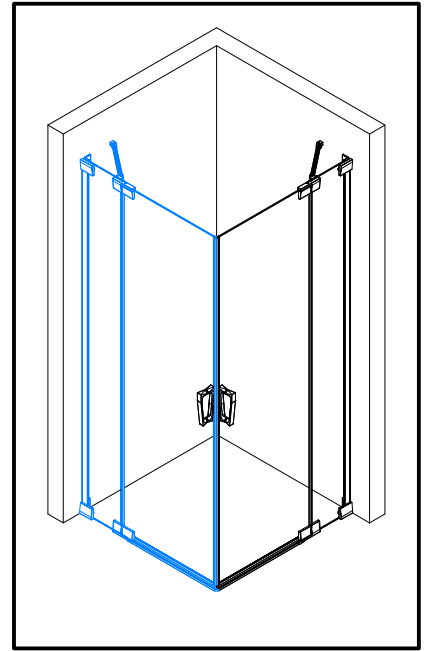
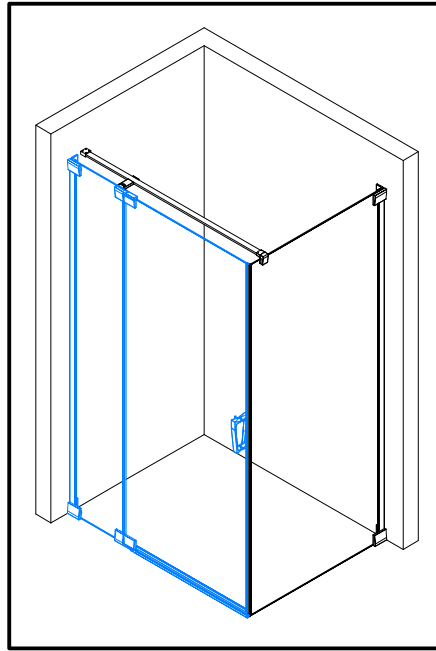
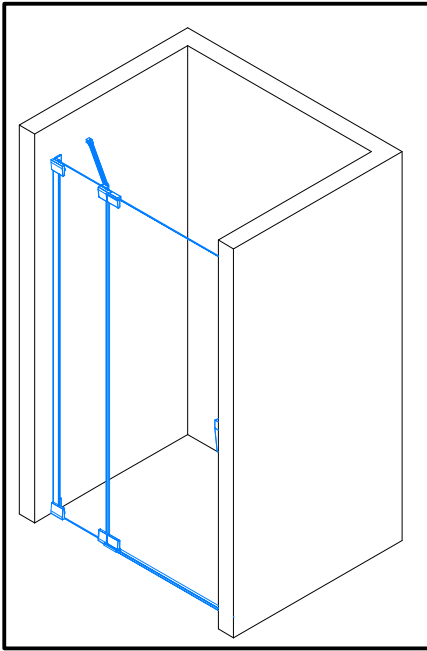
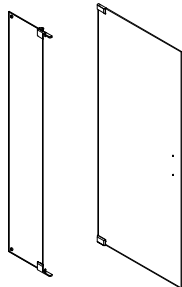
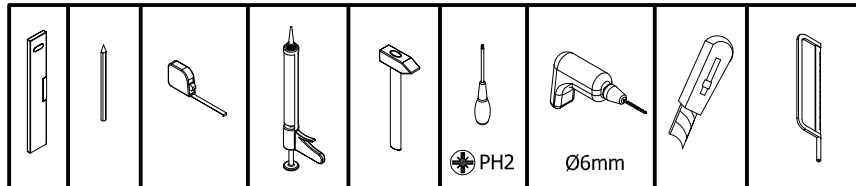


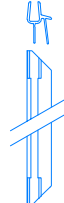
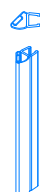
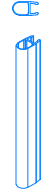







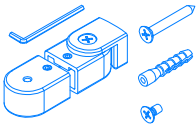
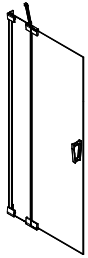



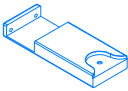



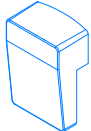
19660



1x

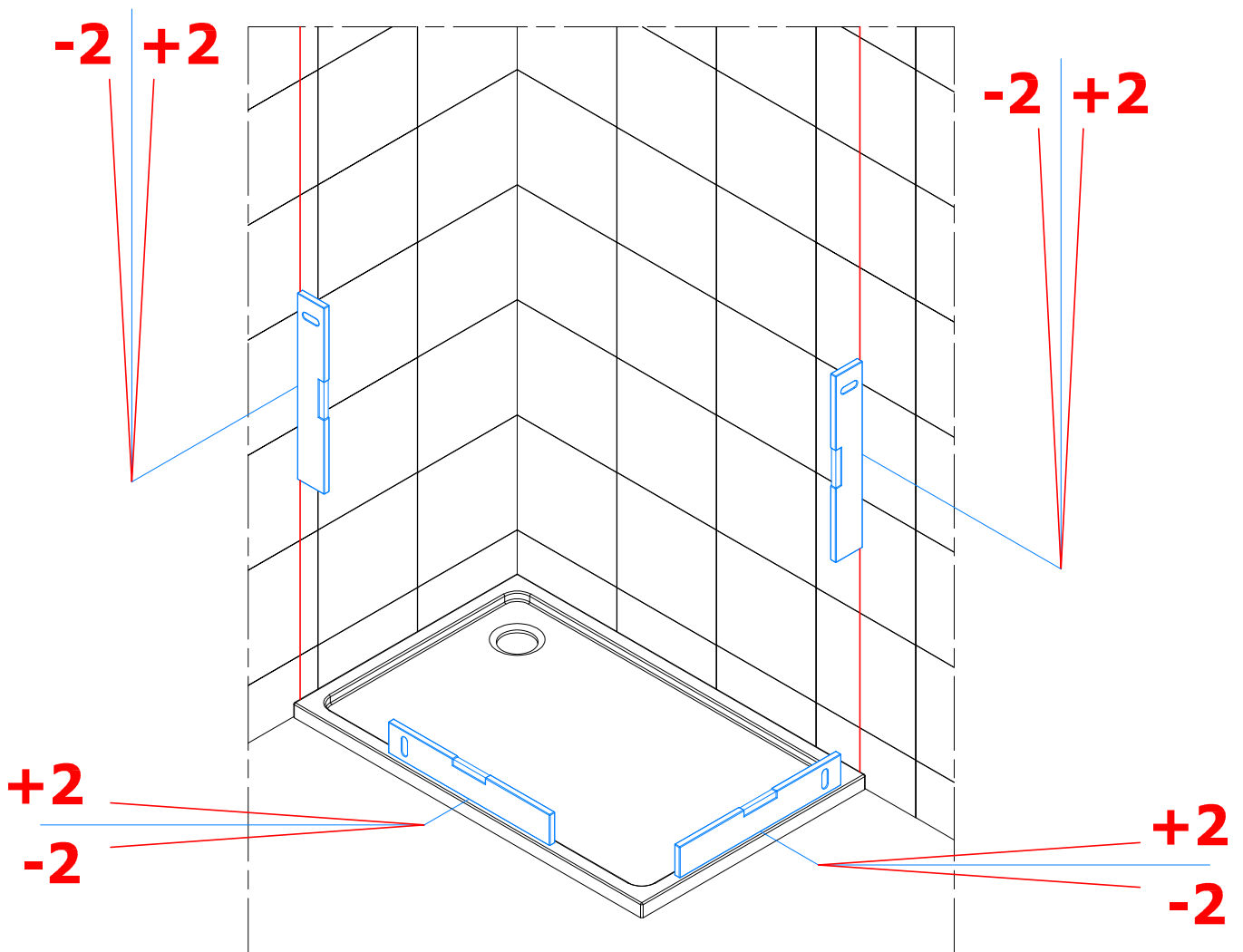


50015E1XX 2000 	50504.XX.XXX 	52203U. 1000.F 	42352TL. 1967 	52105. 2000 	MT0382.XX 	 1 x 50302. XX.1000 
--	---	--	--	---	--	---

 1 x 11221	 2 x 14001 4.2X38mm	 1 X MT0381.XX	SM.CA.XX	
	 3 x 16000 φ 6mm	 17156 - 5mm		
	 4 X 54164.XX	 MT0416.XX	 51253.XX	 51254.XX
			 51348.XX	 51576.XX

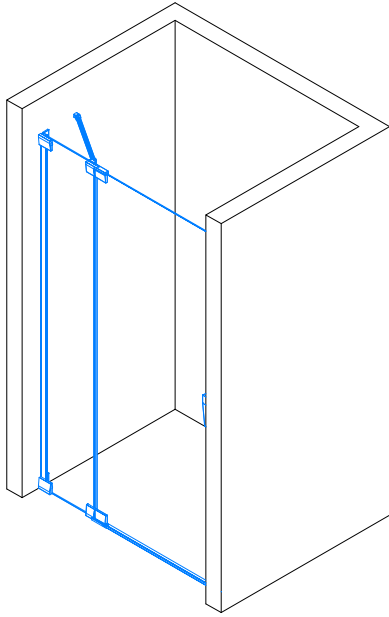


MAX ±2mm/800mm

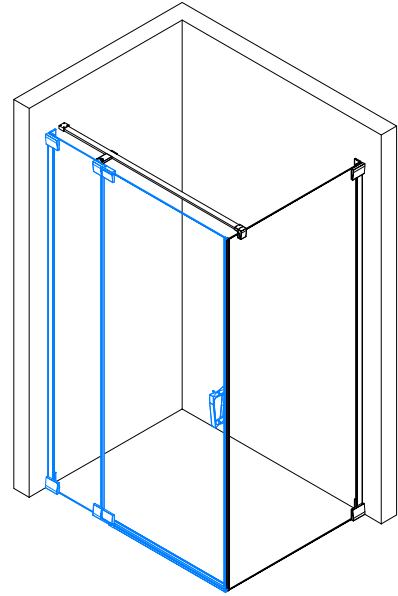




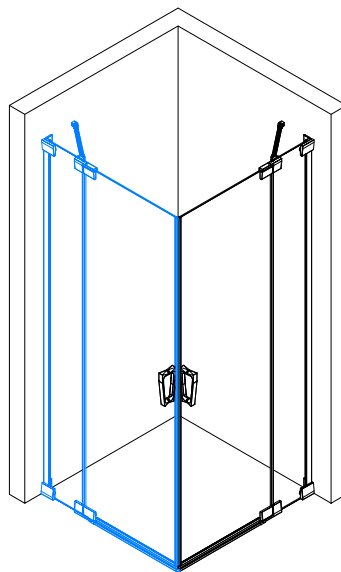
→ p.4 - p.17



→ p.18 - p.32

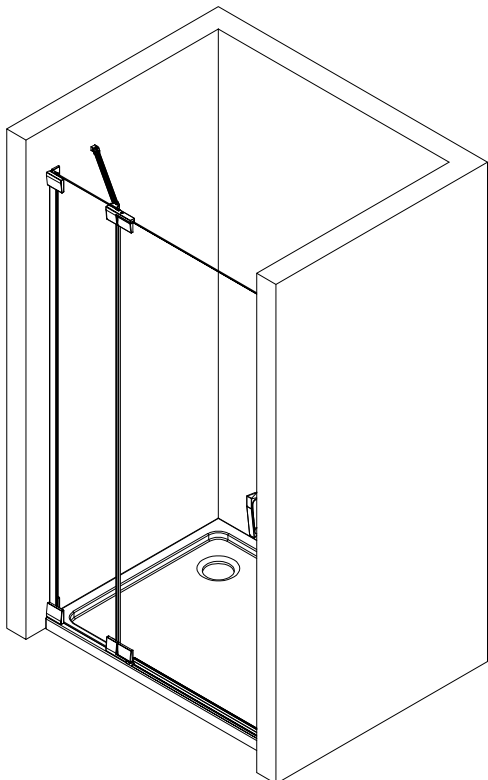


→ p.33 - p.46

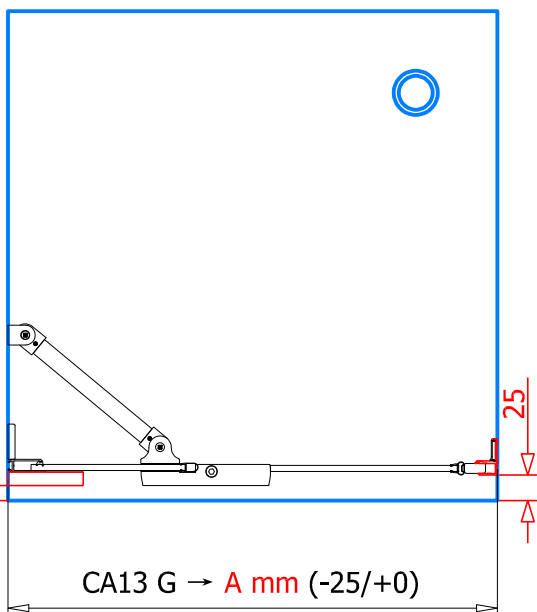
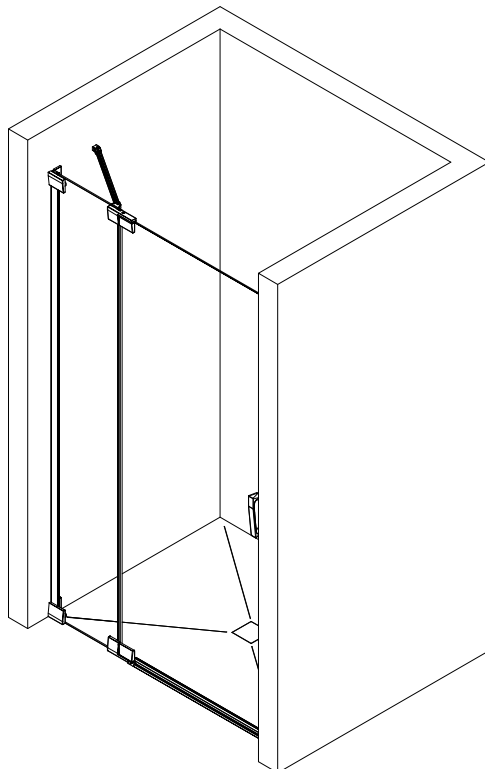




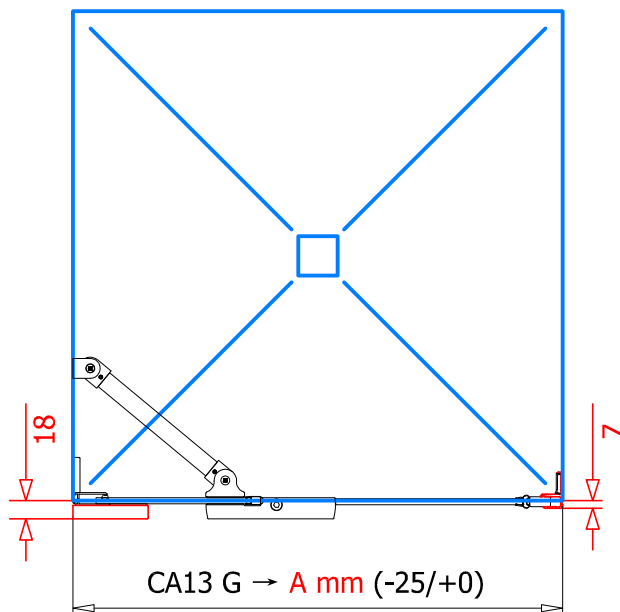
1.



2.

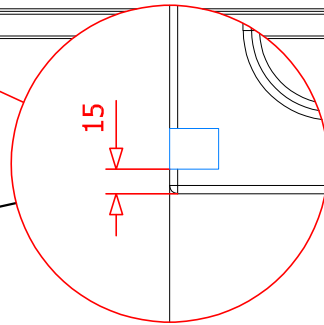
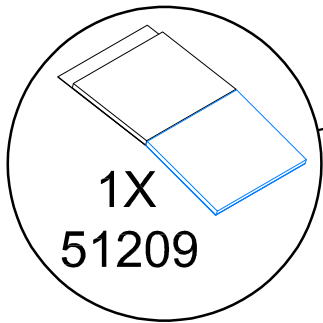
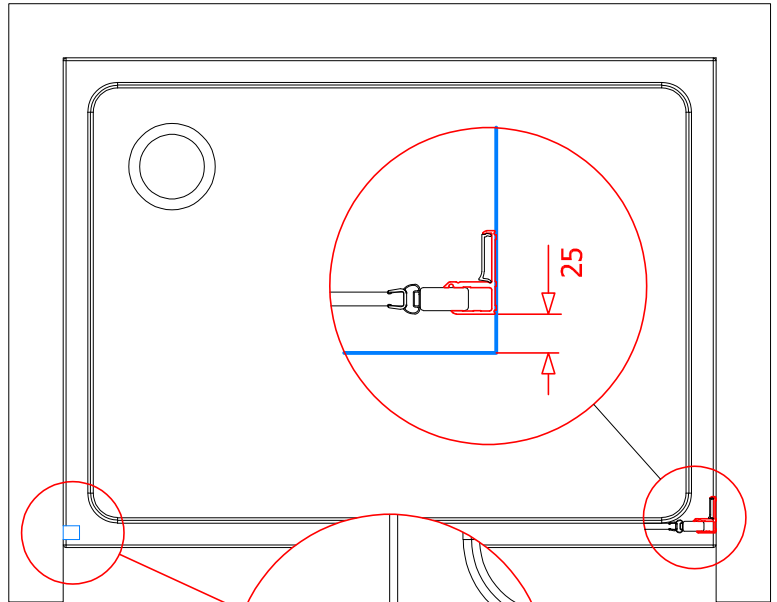
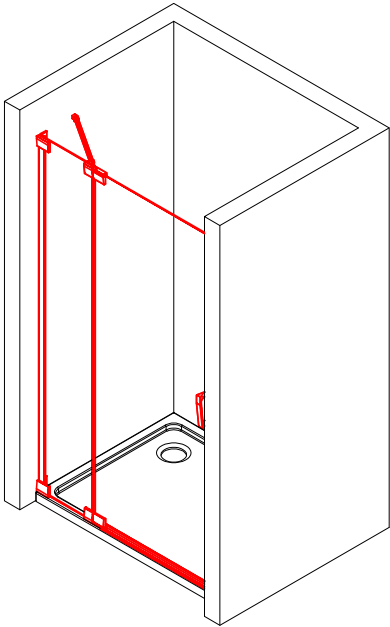


CA13 G SM → A mm (-15/+10)

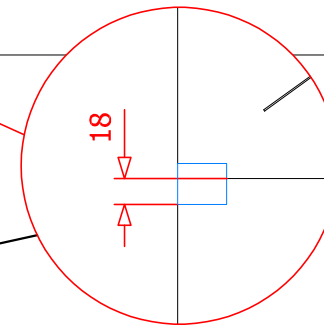
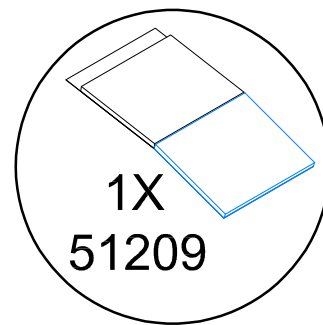
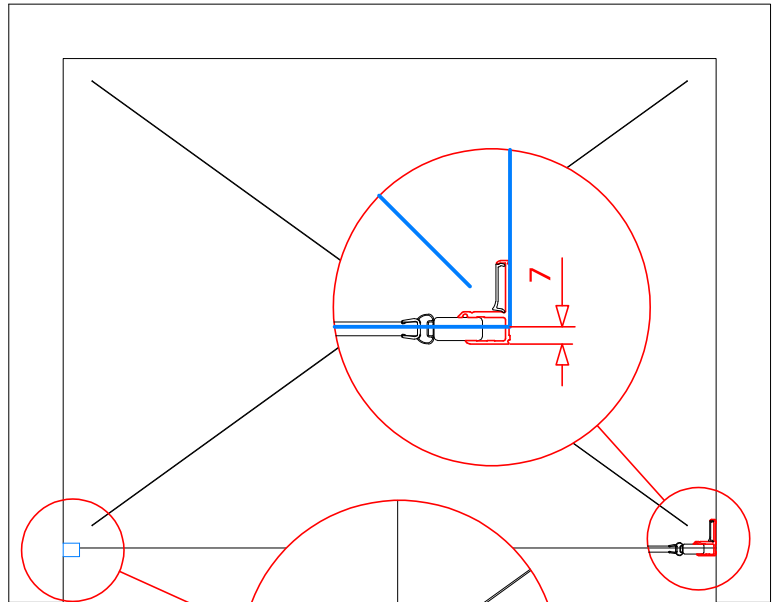
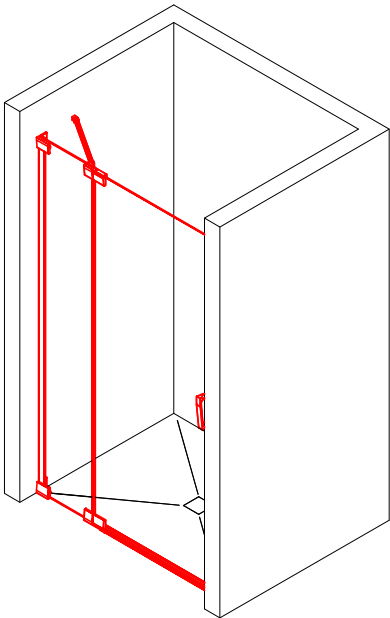


CA13 G SM → A mm (-15/+10)

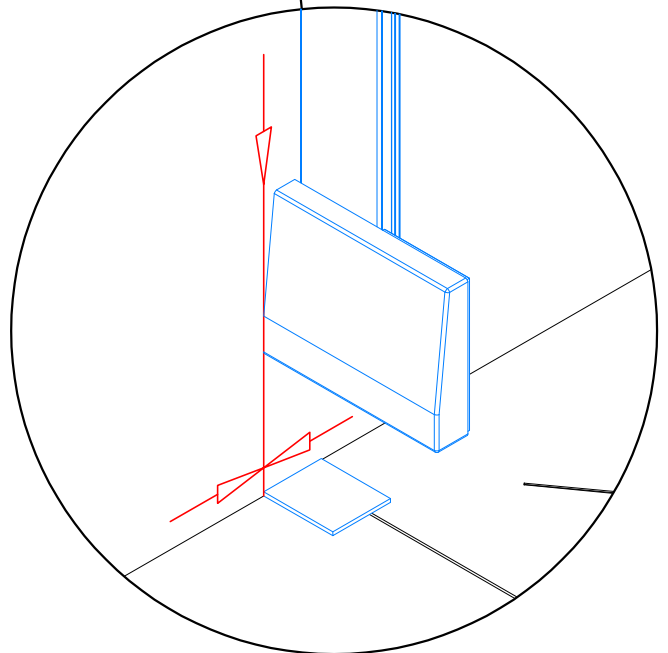
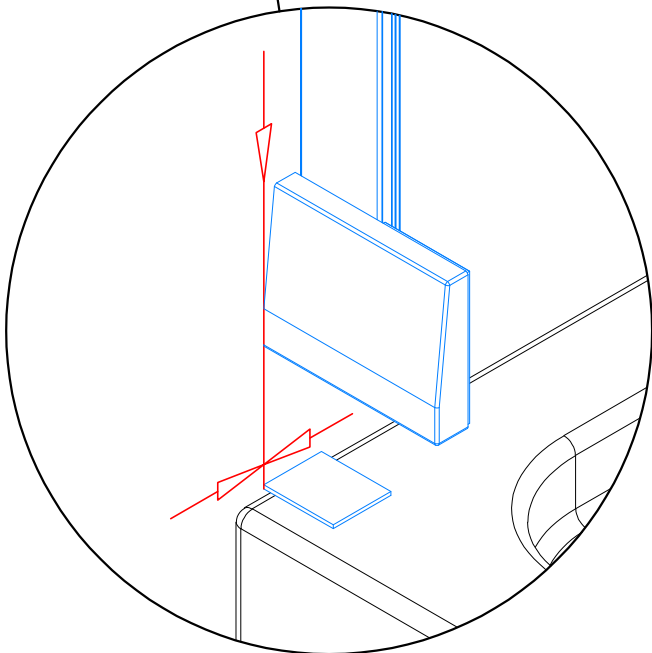
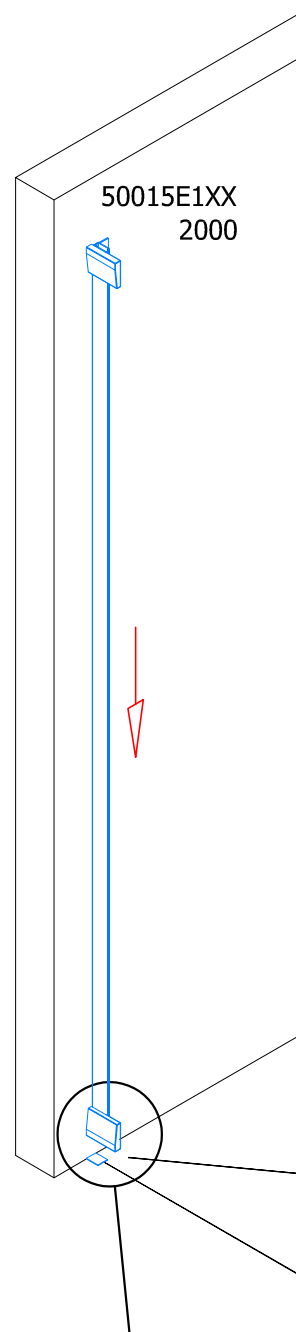
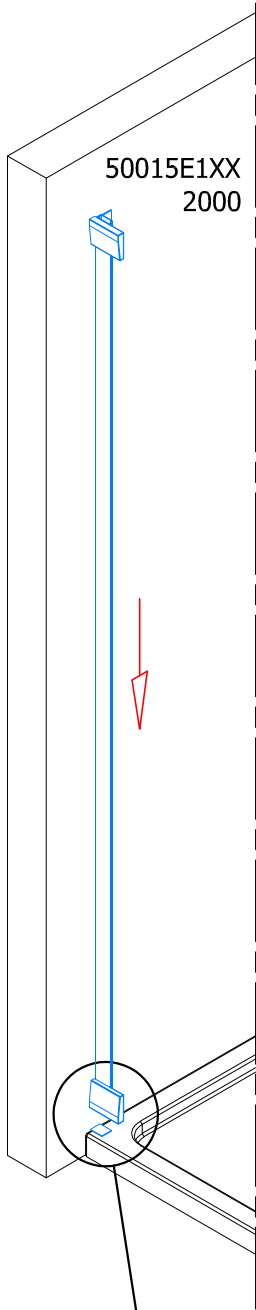
1.



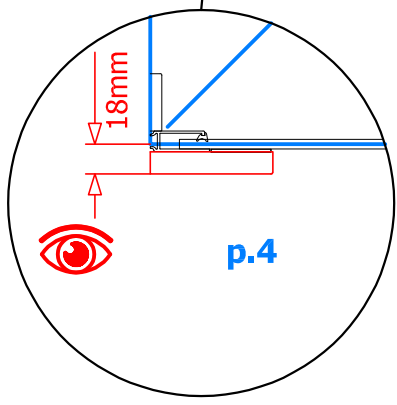
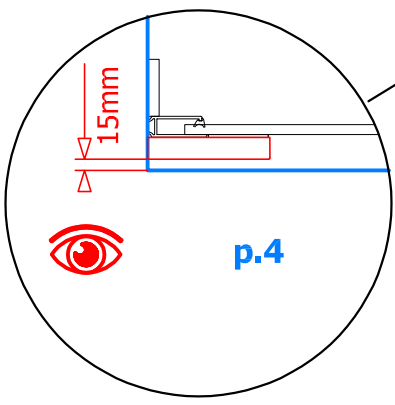
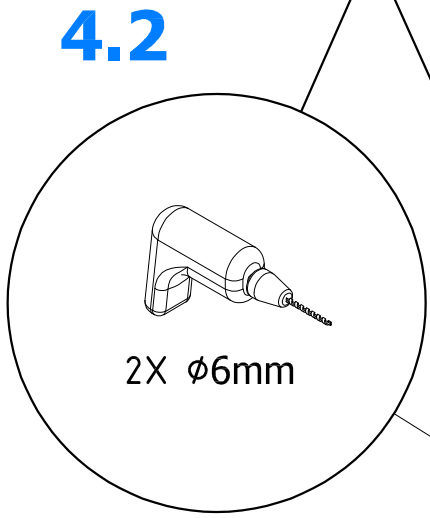
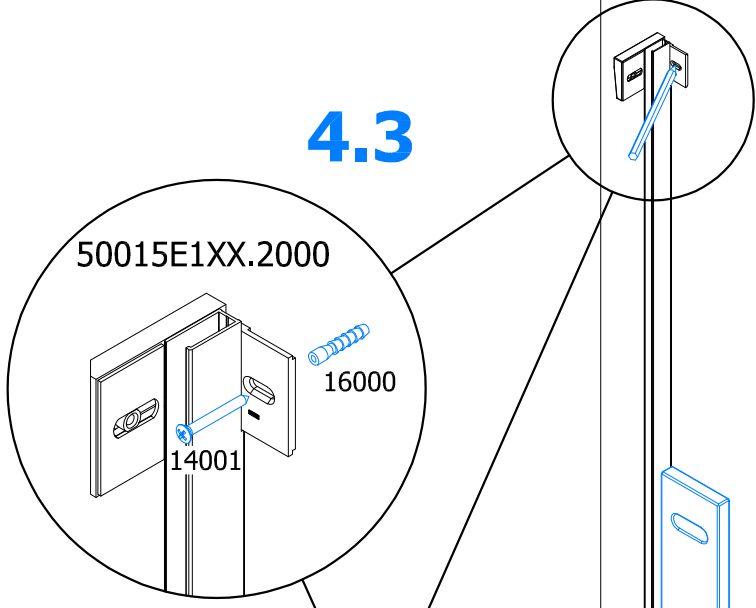
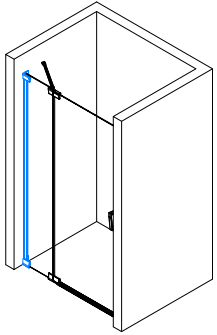
2.



3.

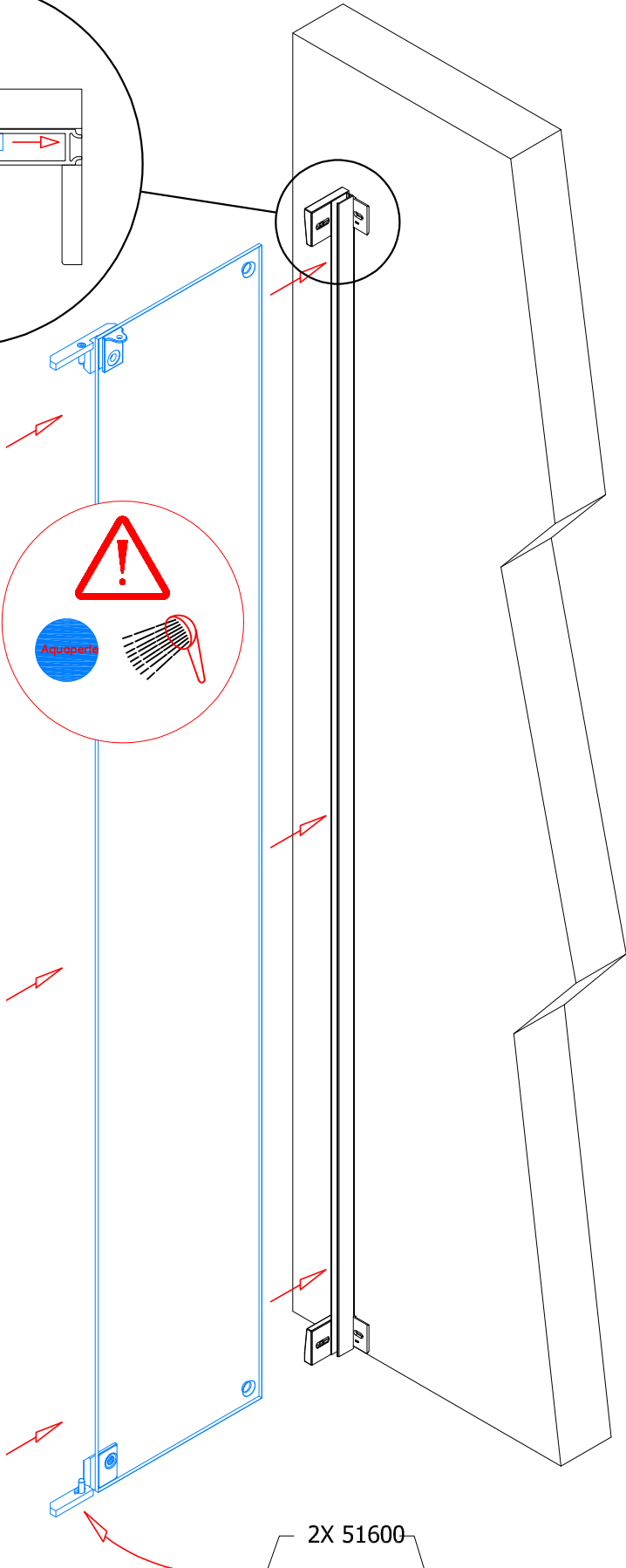
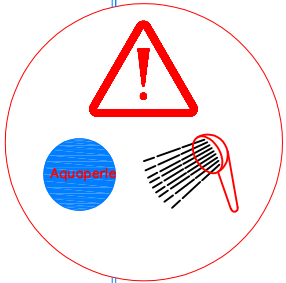
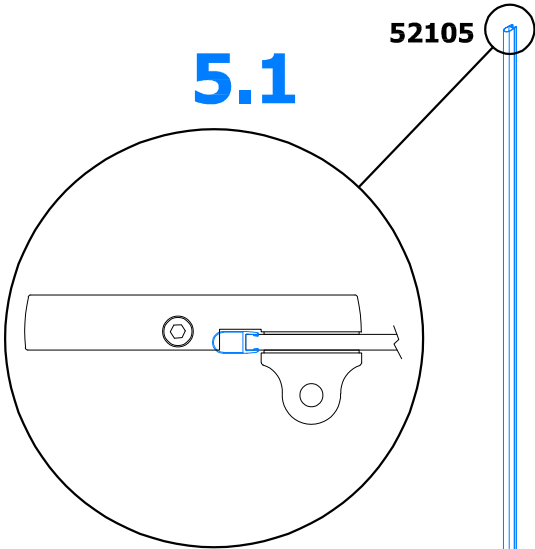
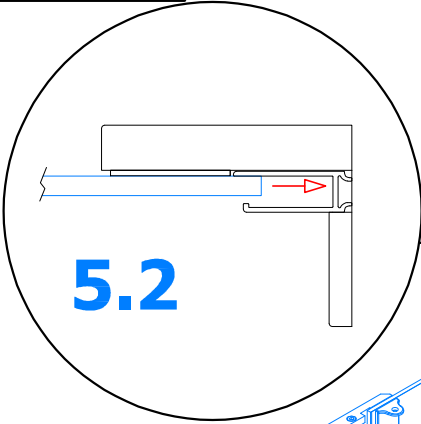


4.1 → 4.3



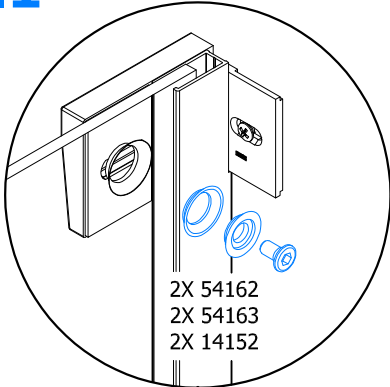
4.1

5.1 → 5.2

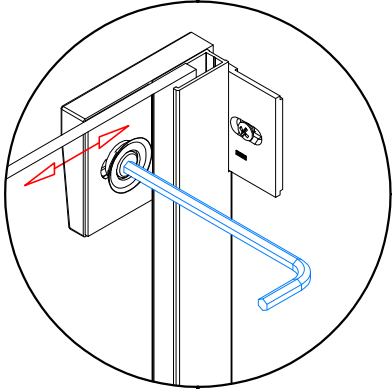


6.1 → 6.3

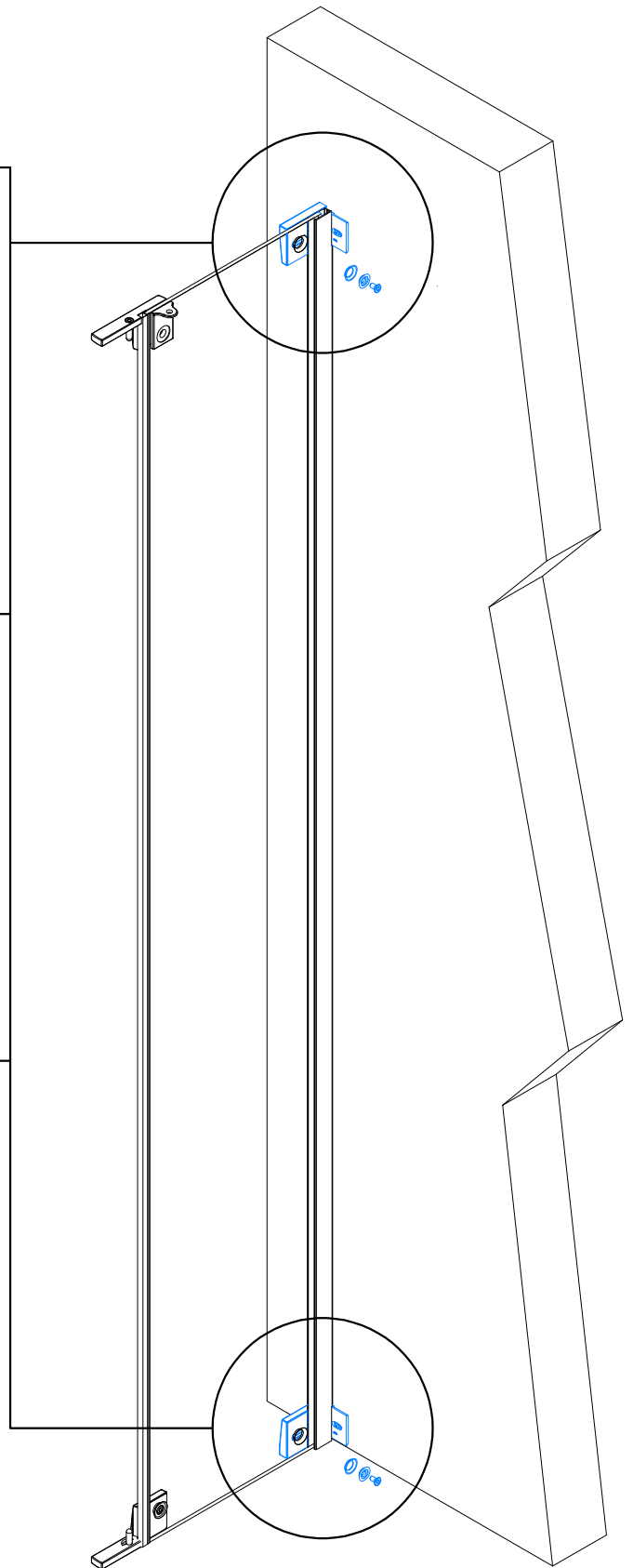
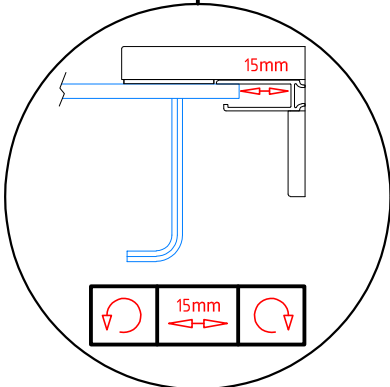
6.1



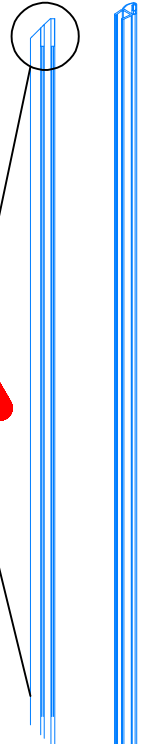
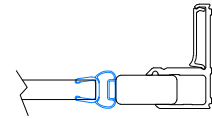
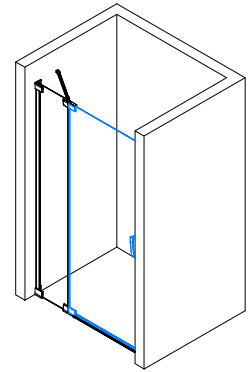
6.2



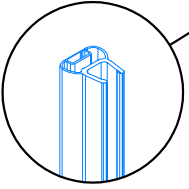
6.3



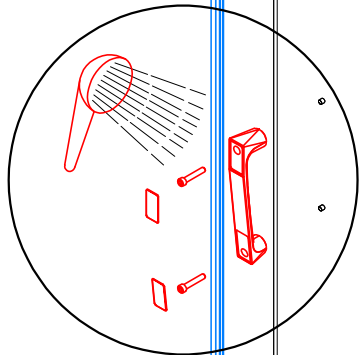
7.1 → 7.5



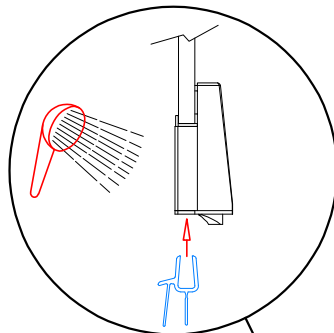
7.3



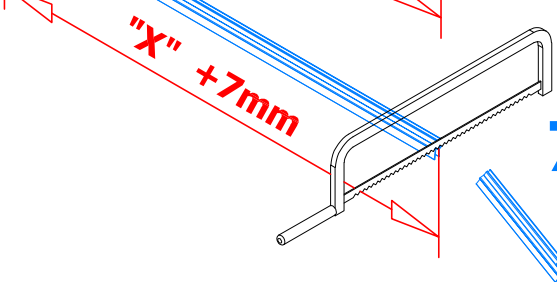
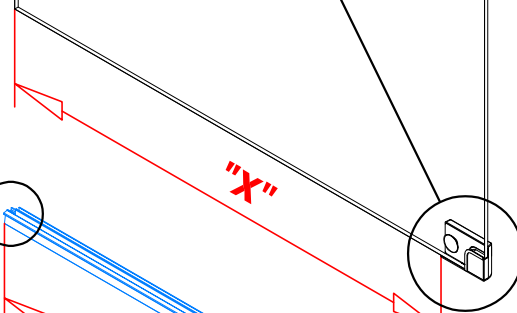
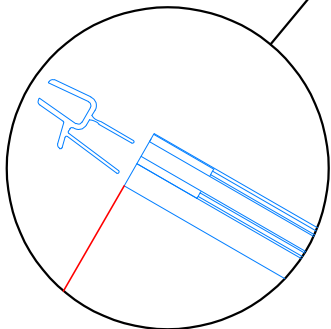
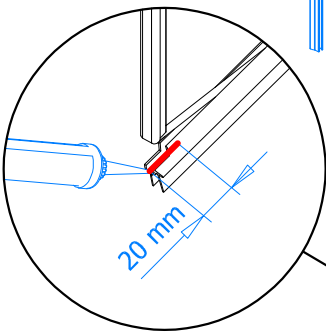
7.5



7.2



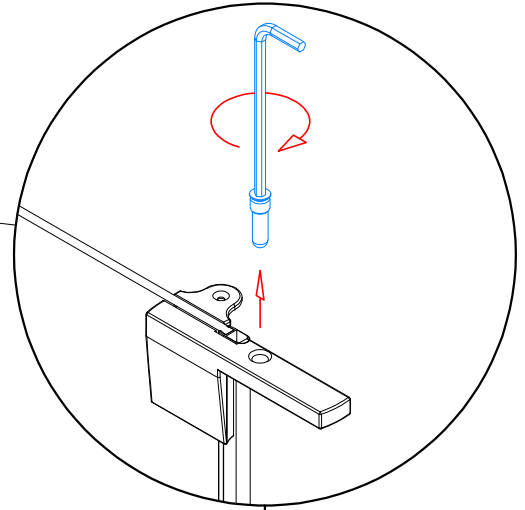
7.4



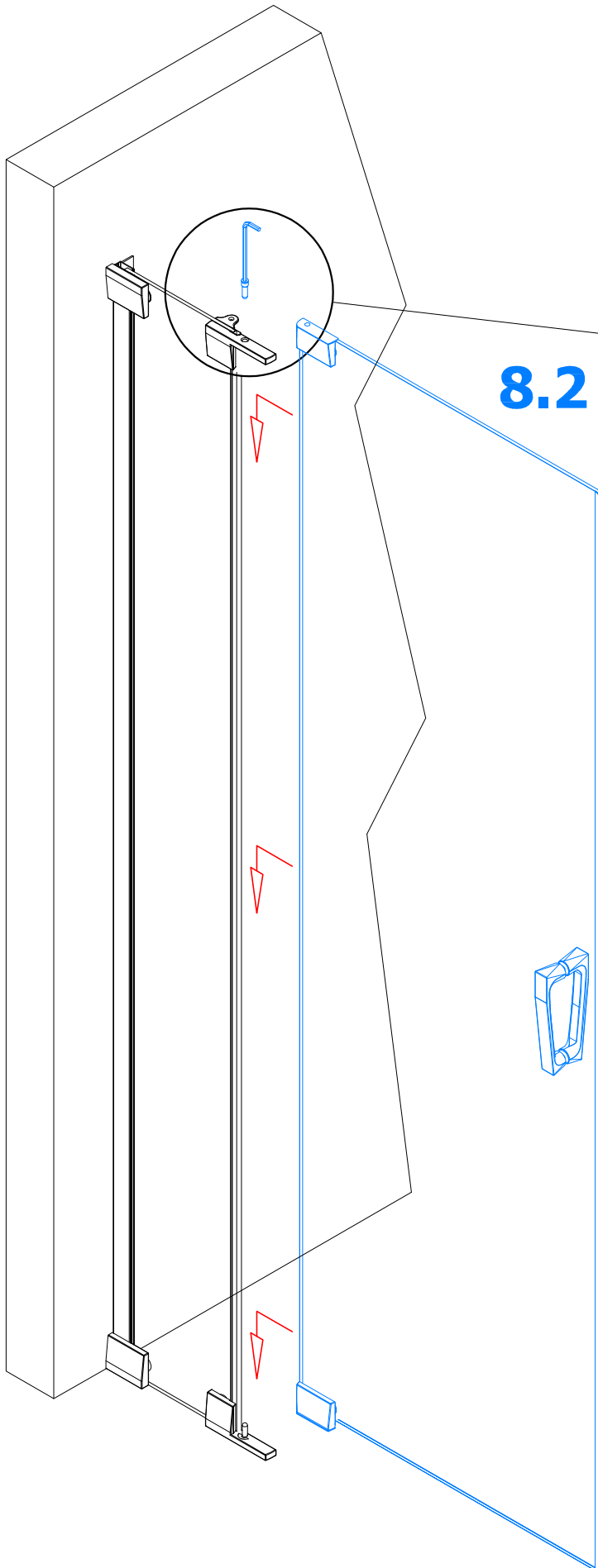
7.1

8.1 → 8.3

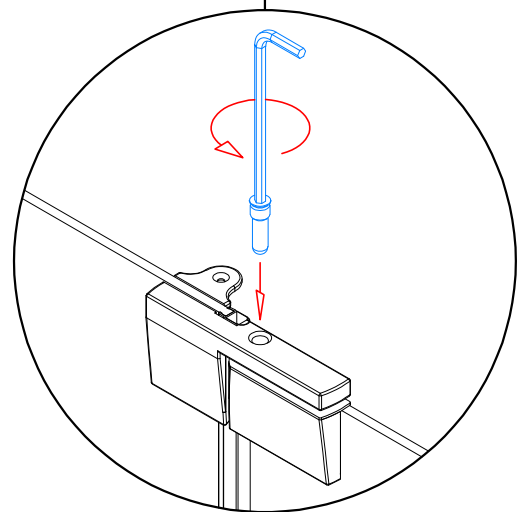
8.1



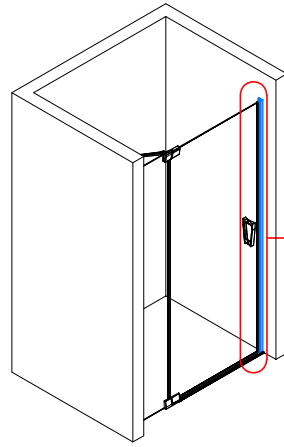
8.2



8.3

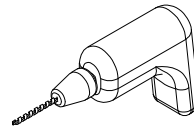


9.1 → 9.3



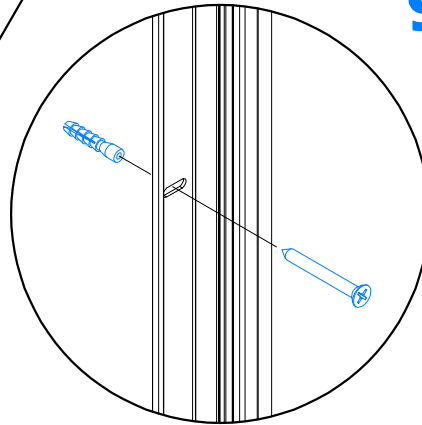
V2.CA.XX

9.2

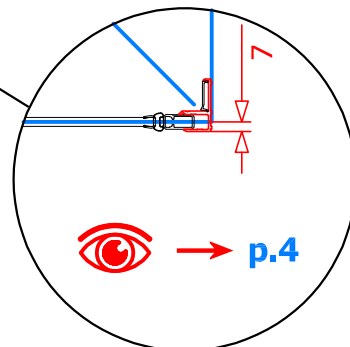
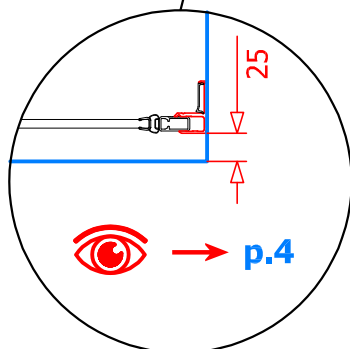


3X $\phi 6\text{mm}$

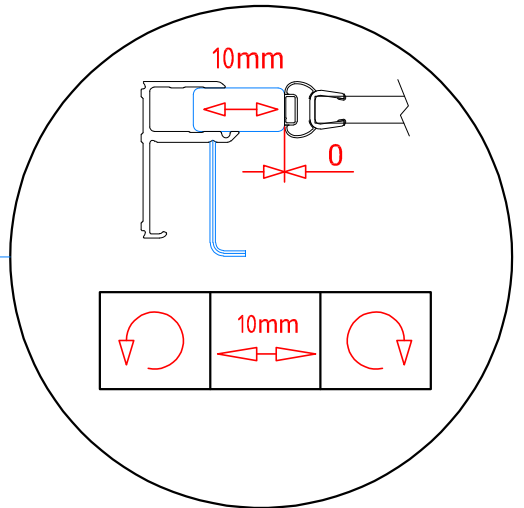
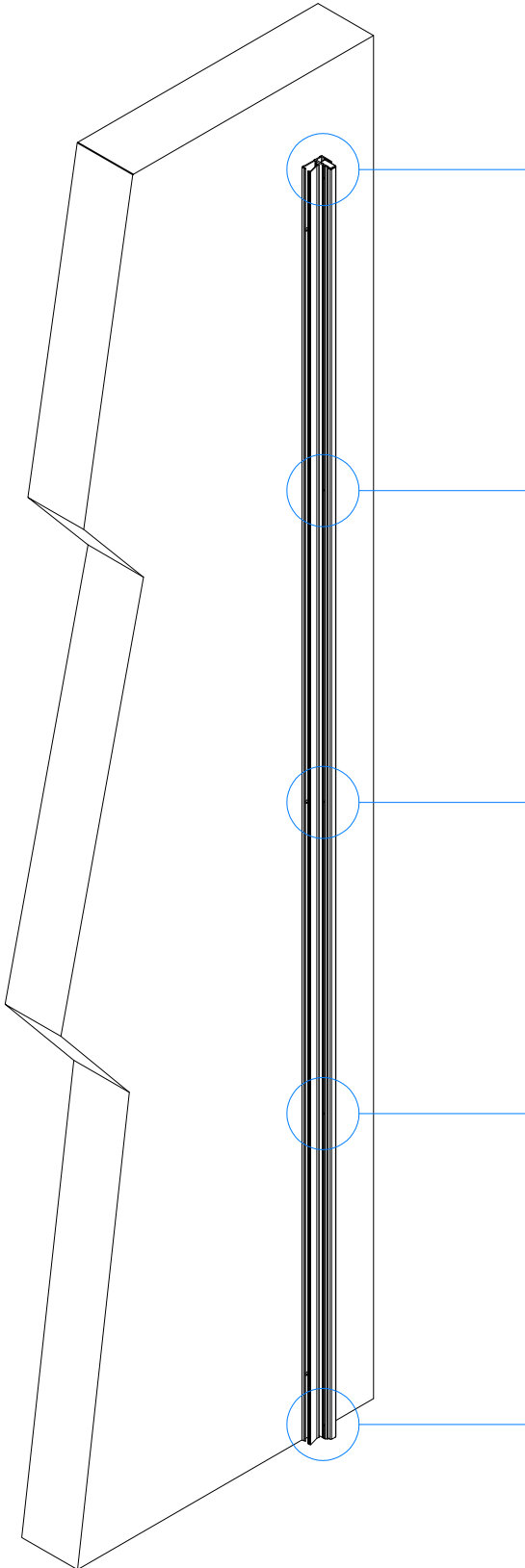
9.3



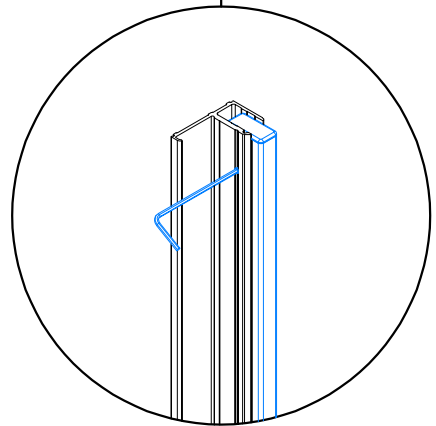
9.1



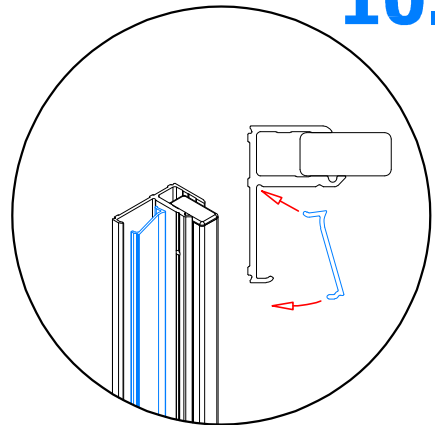
10.1 → 10.3



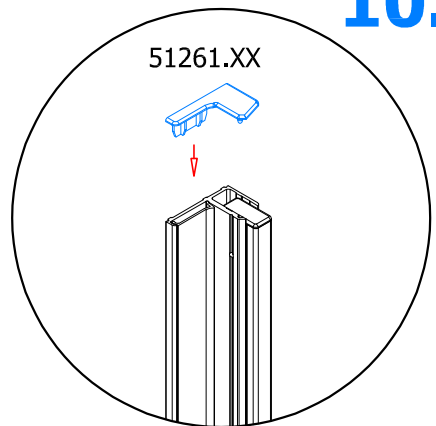
10.1



10.2

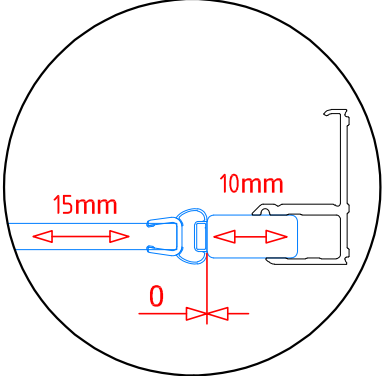
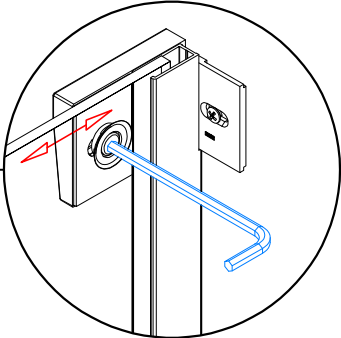
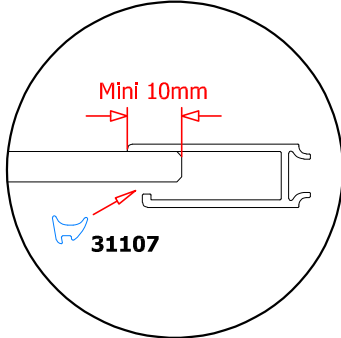


10.3



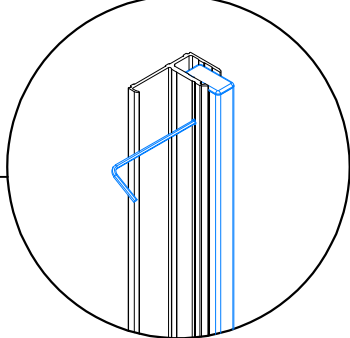
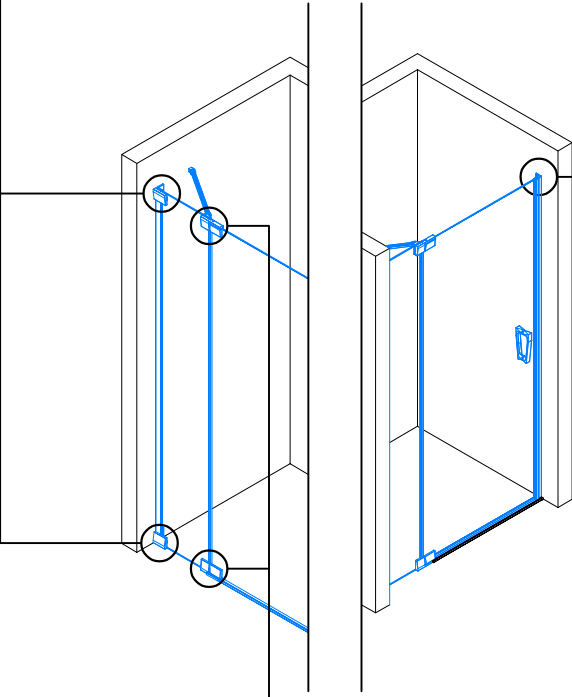
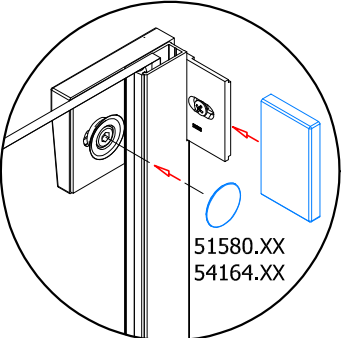
11.1 → 11.4

11.2

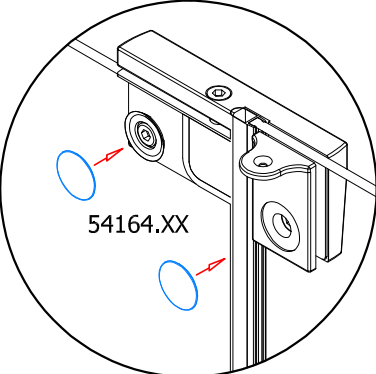


11.1

11.3

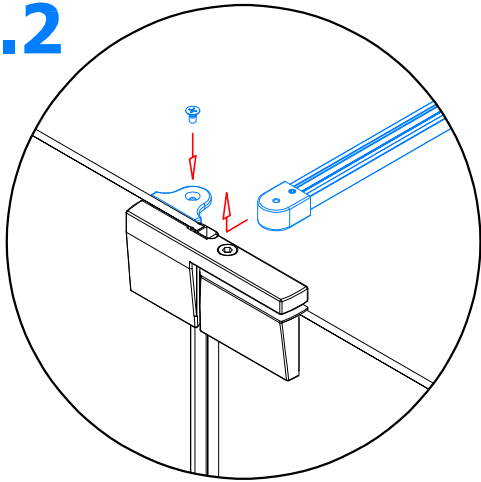


11.4

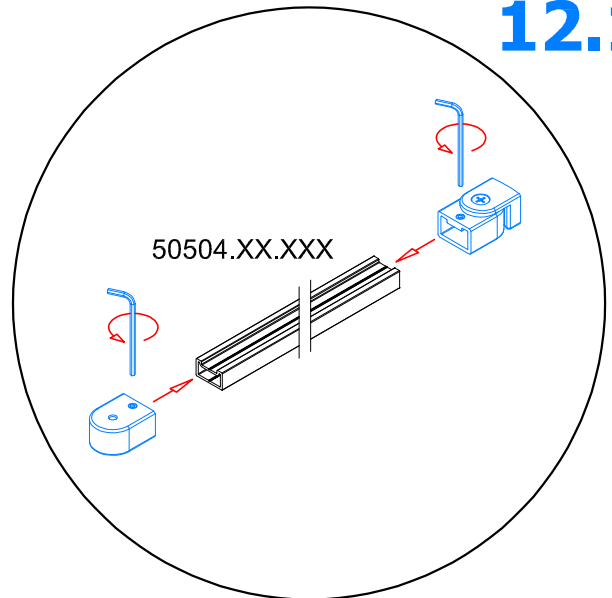


12.1 → 12.6

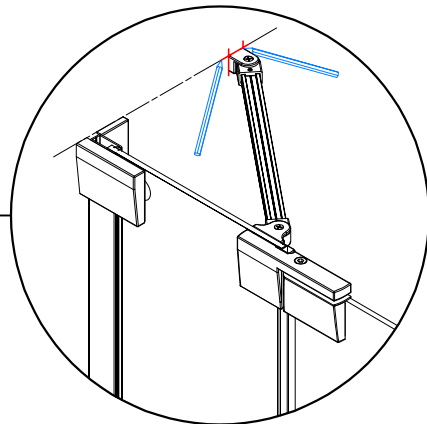
12.2



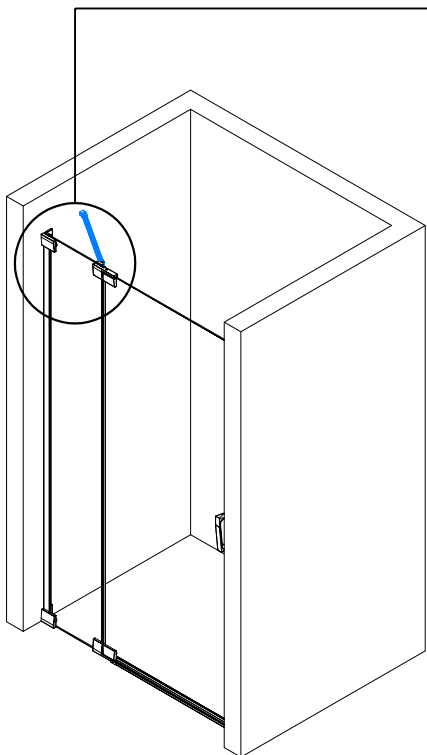
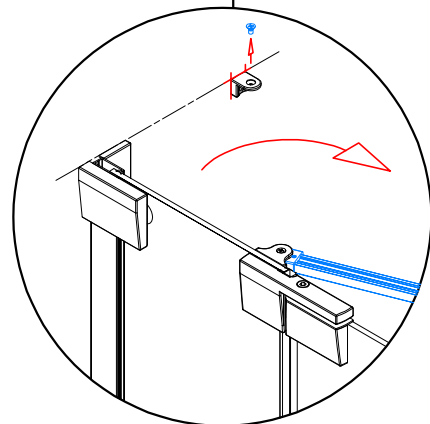
12.1



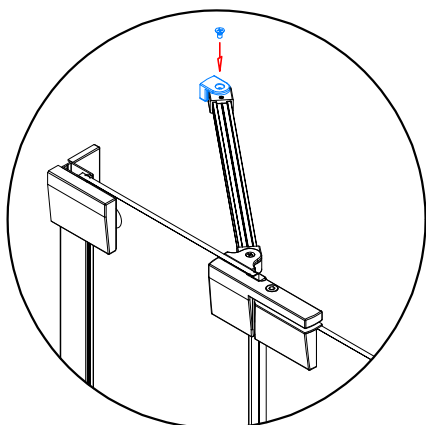
12.3



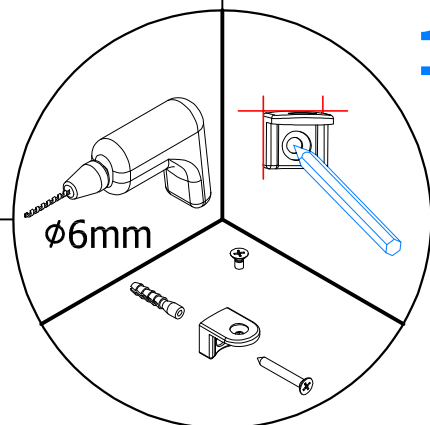
12.4



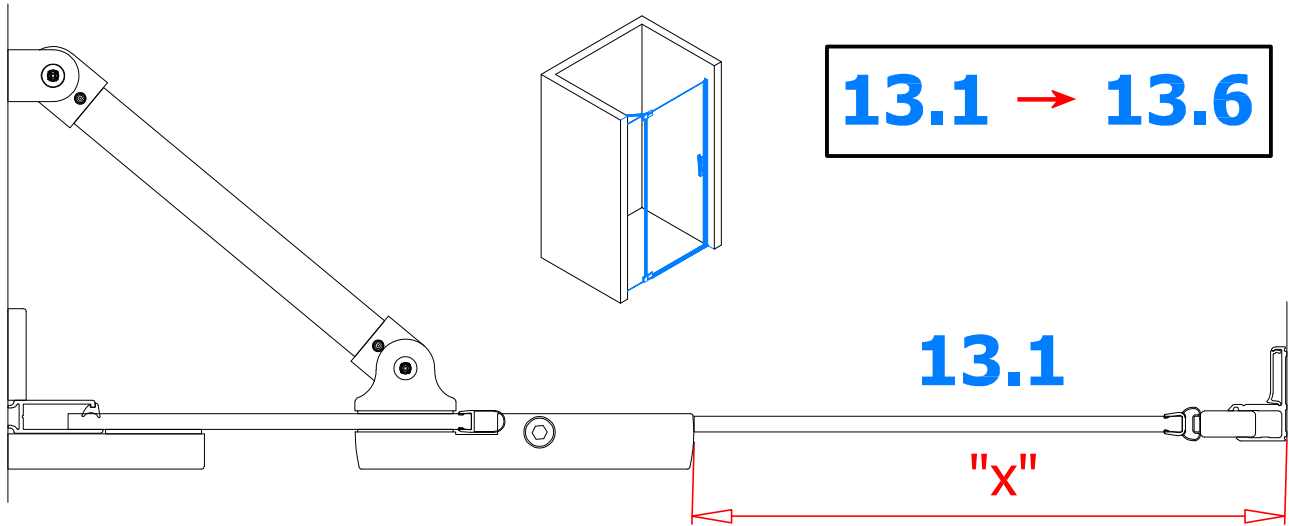
12.6



12.5

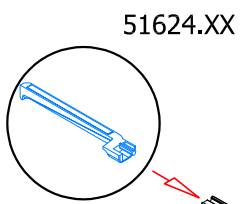


13.1 → 13.6

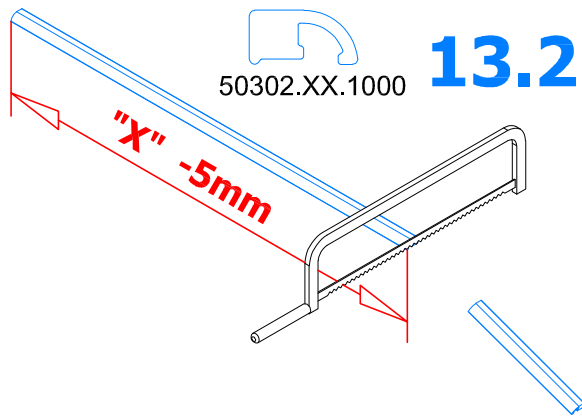


13.1

"X"

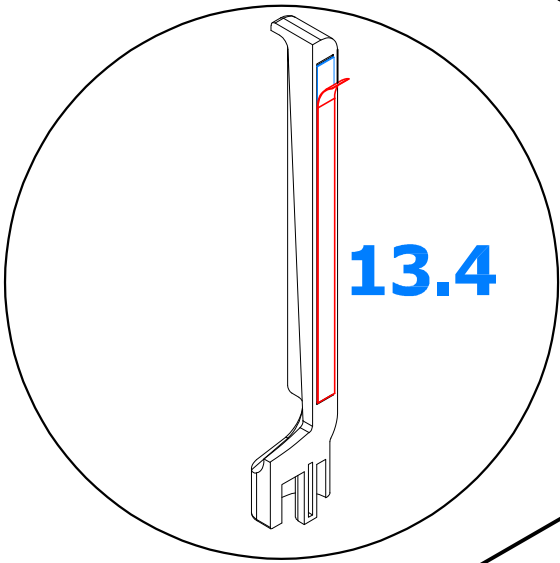


13.3



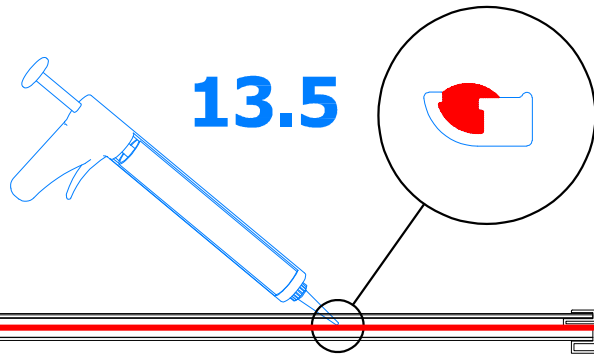
13.2

51253.XX

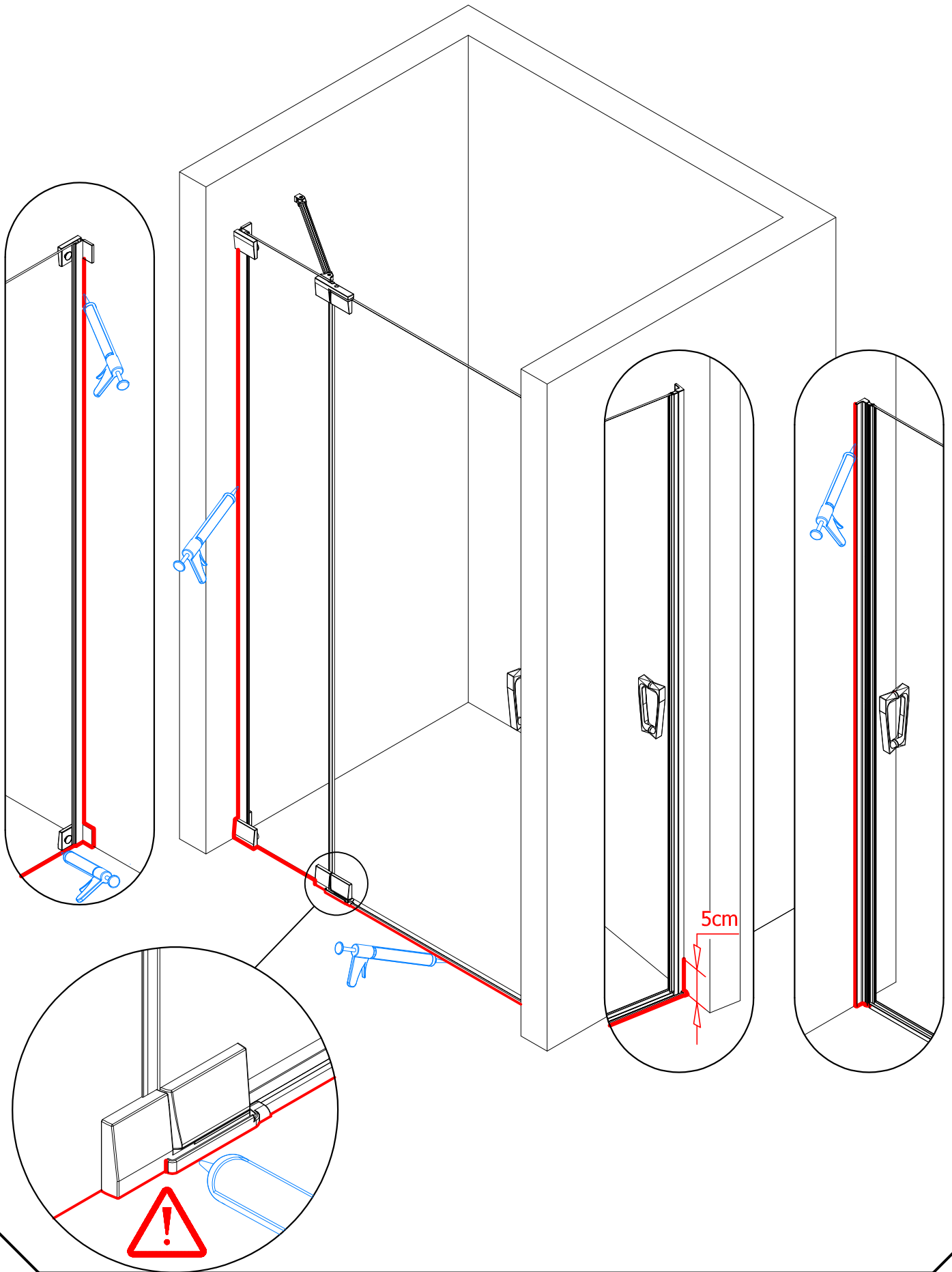


13.4

13.6

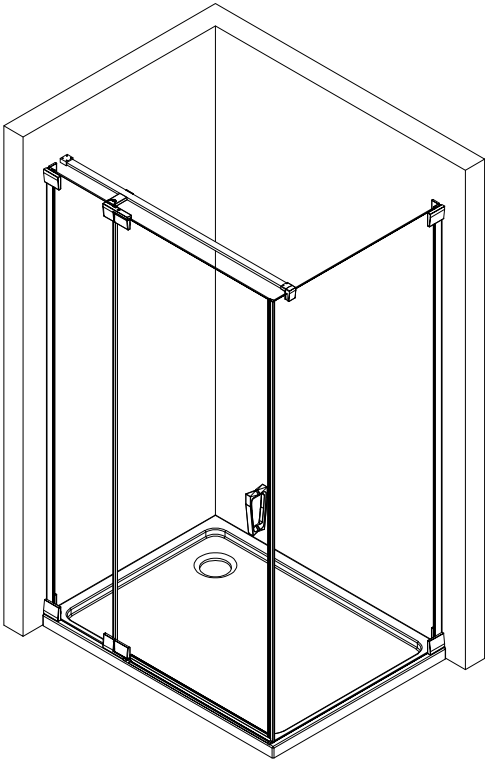


14.

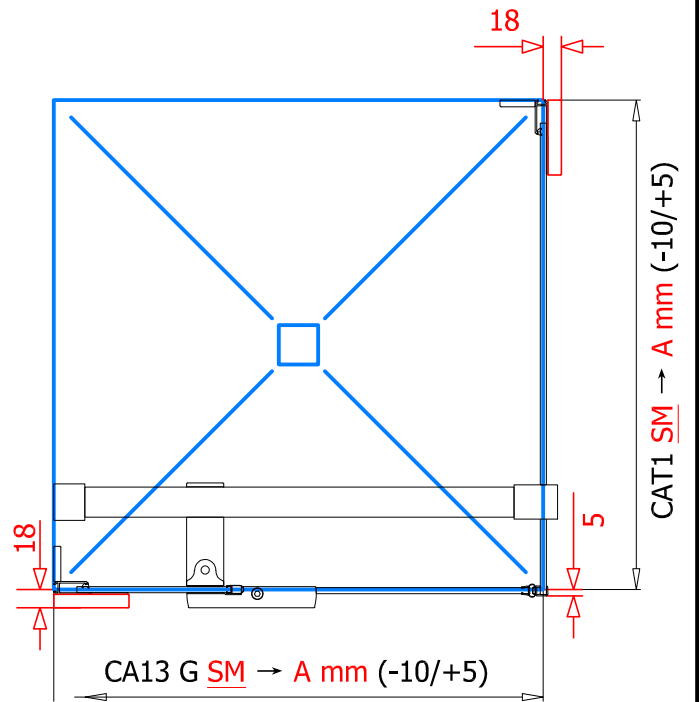
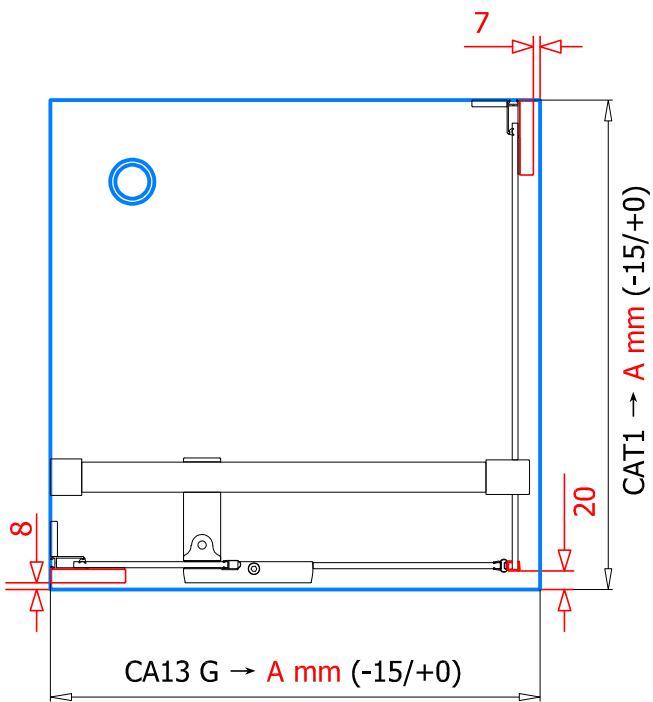
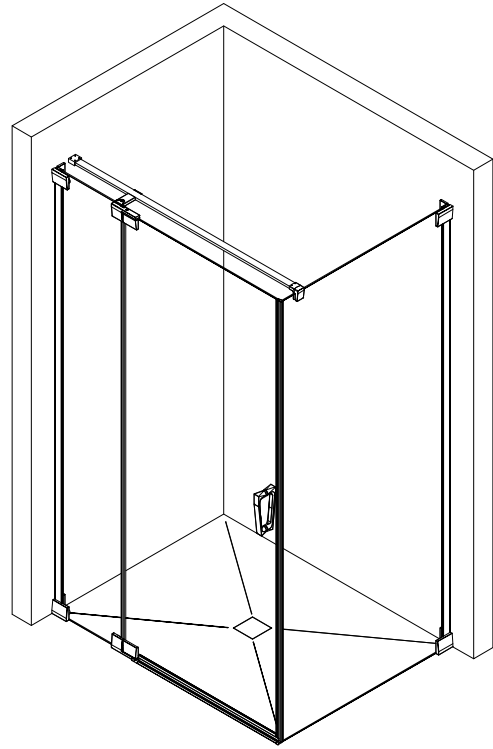




1.



2.

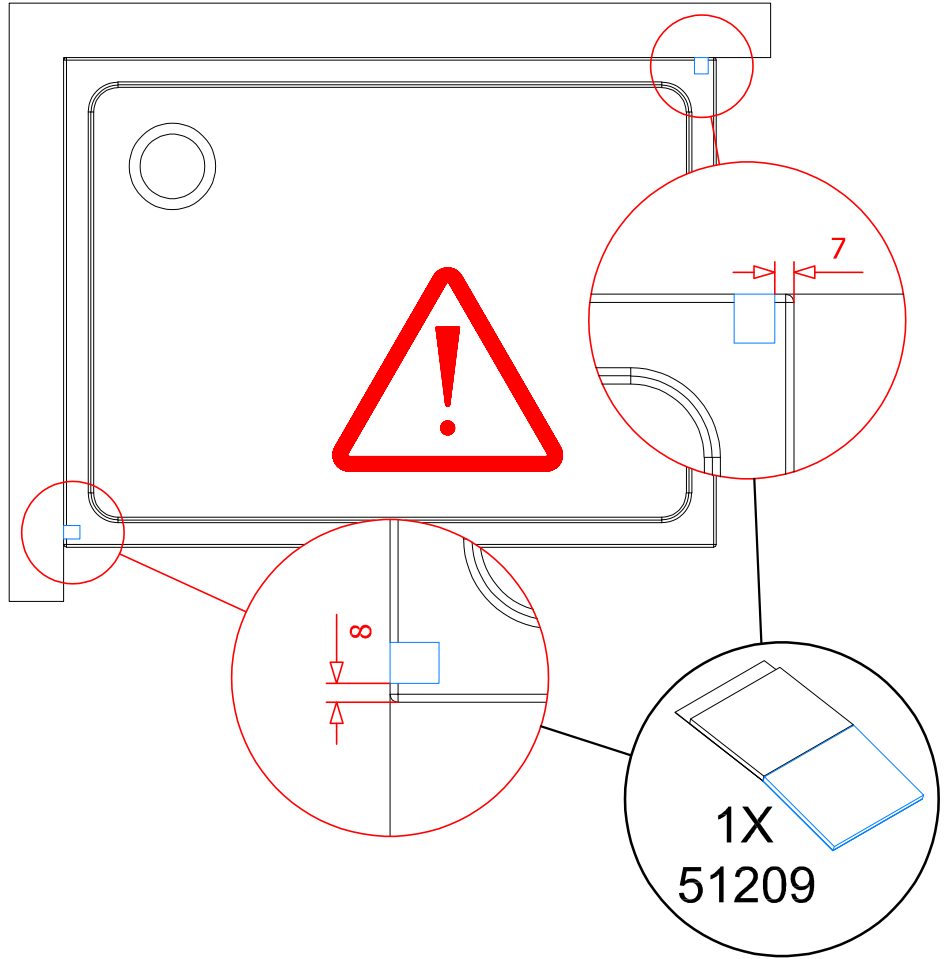
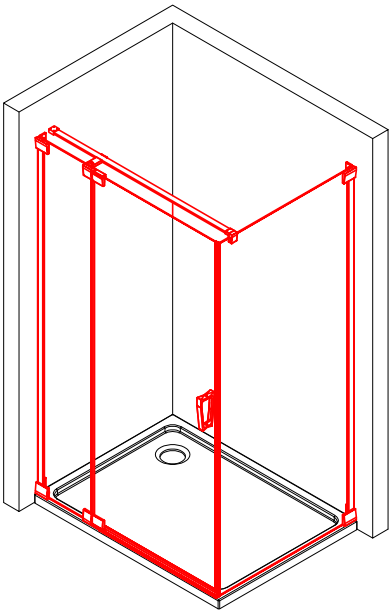


CAT1 SM → A mm (-10/+5)
 CA13 G SM → A mm (-10/+5)

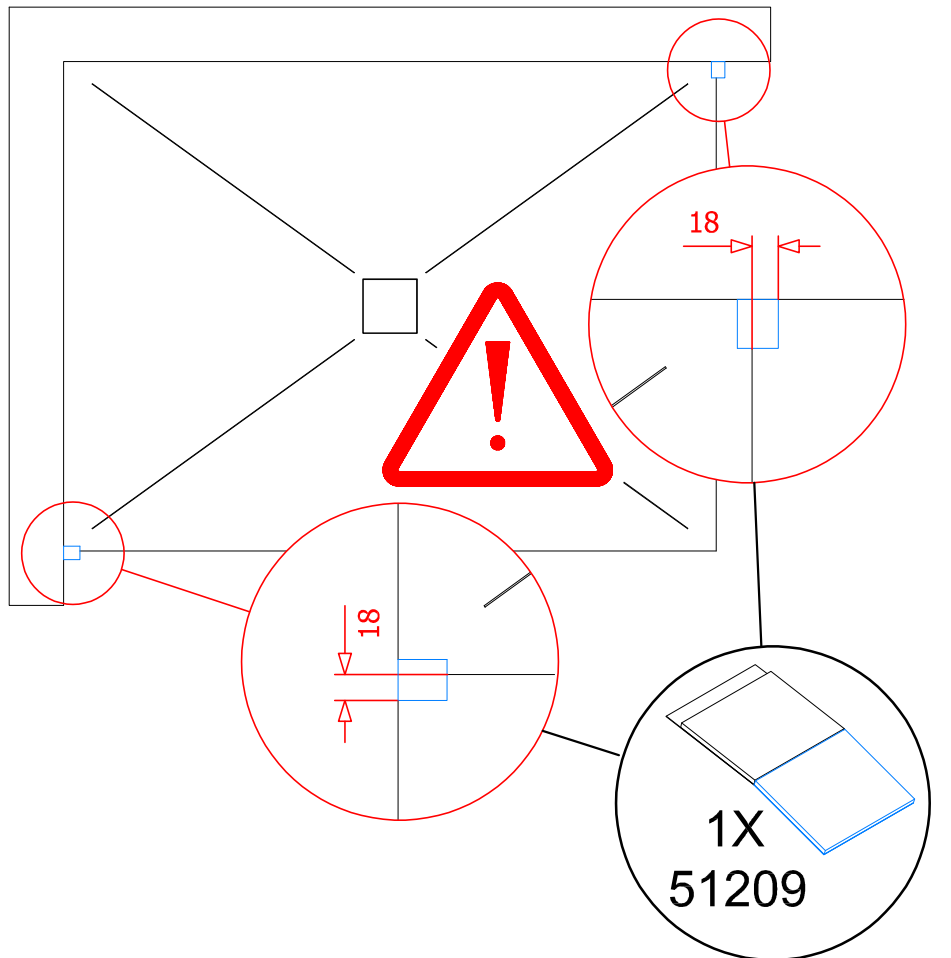
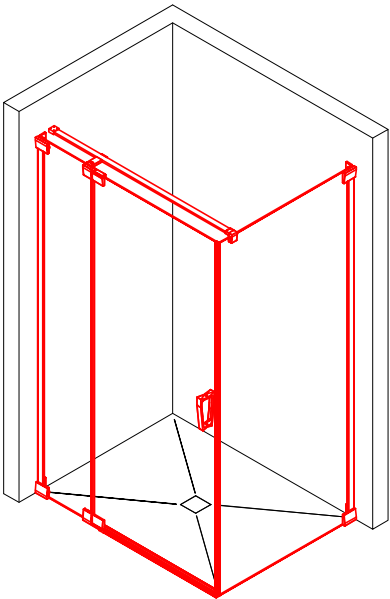


CAT1 SM → A mm (-10/+5)
 CA13 G SM → A mm (-10/+5)

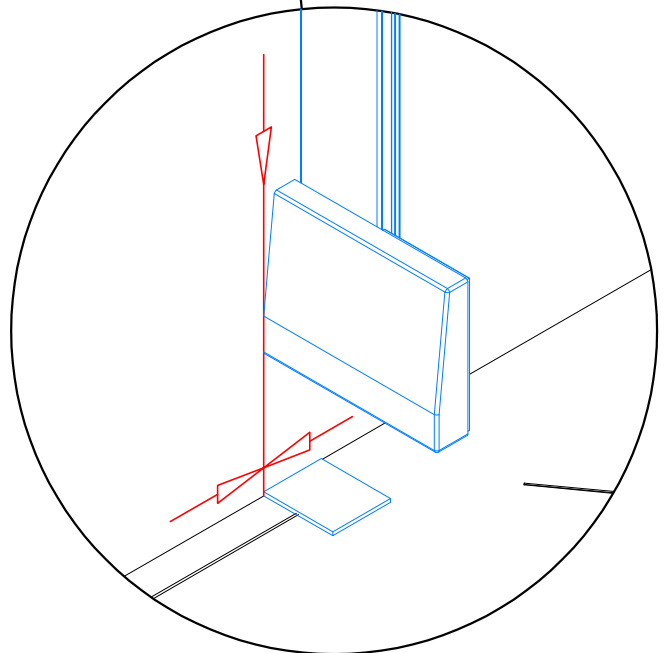
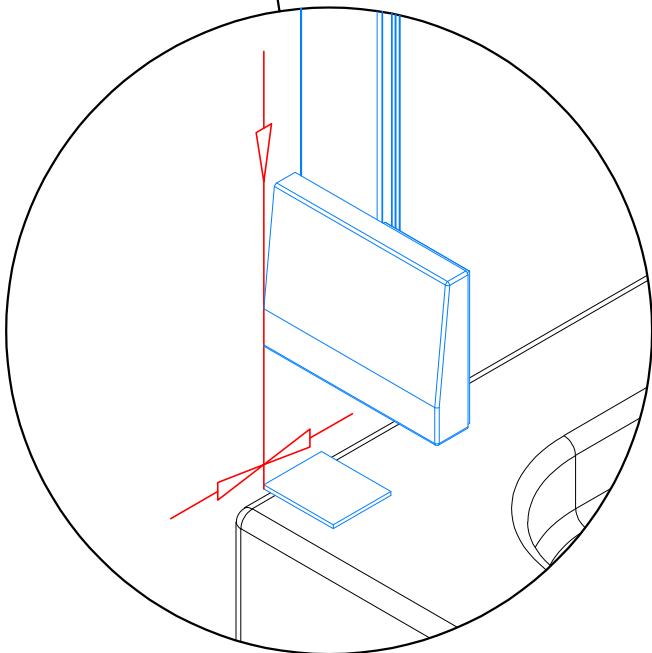
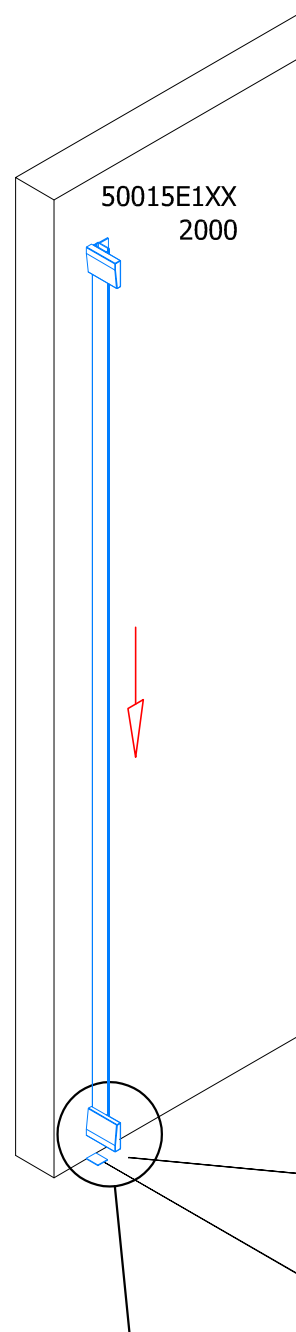
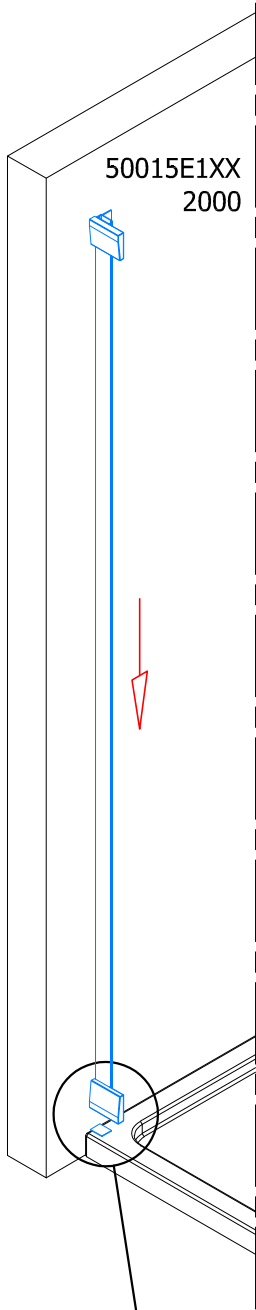
1.



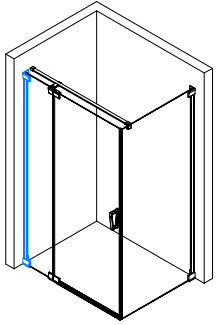
2.



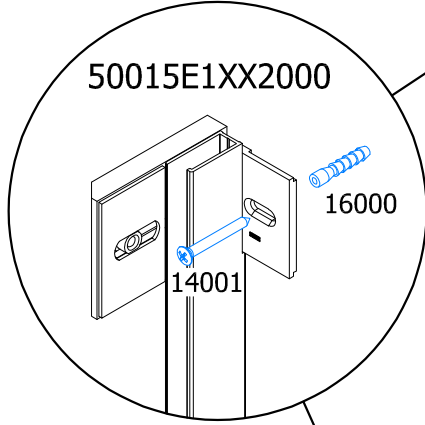
3.



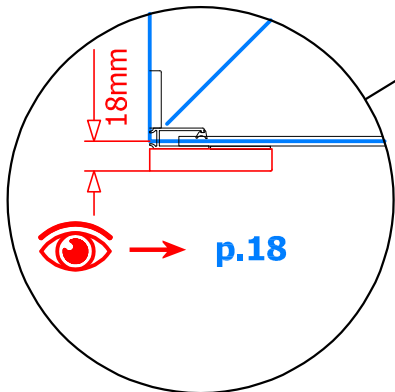
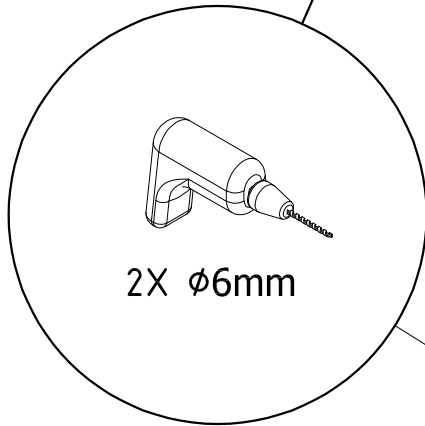
4.1 → 4.3



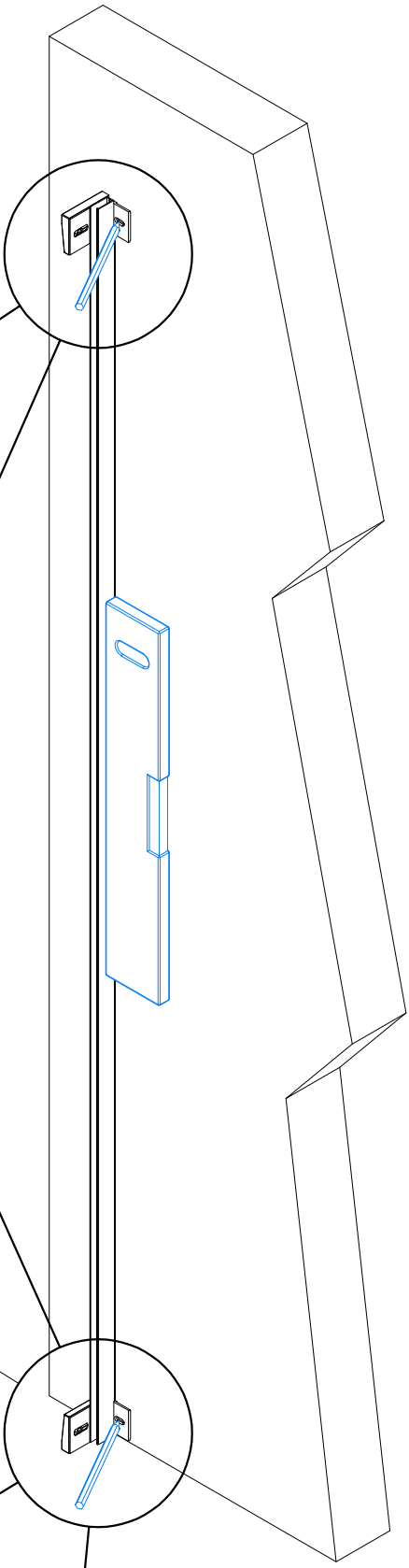
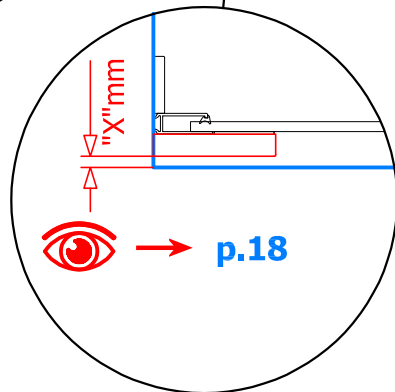
4.3



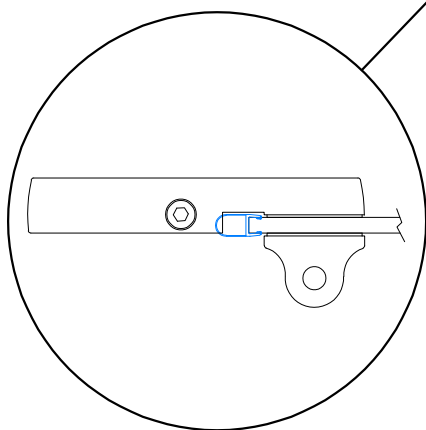
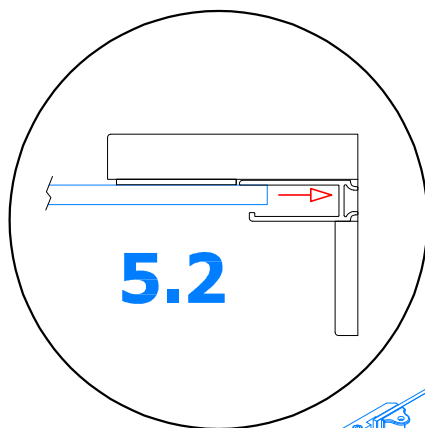
4.2



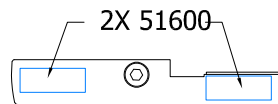
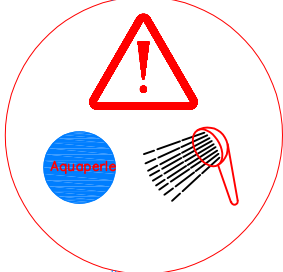
4.1



5.1 → 5.2

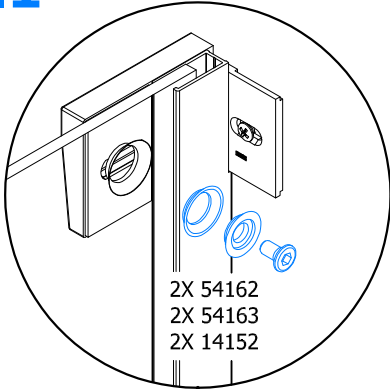


52105

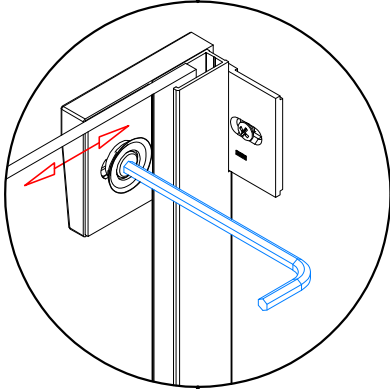


6.1 → 6.3

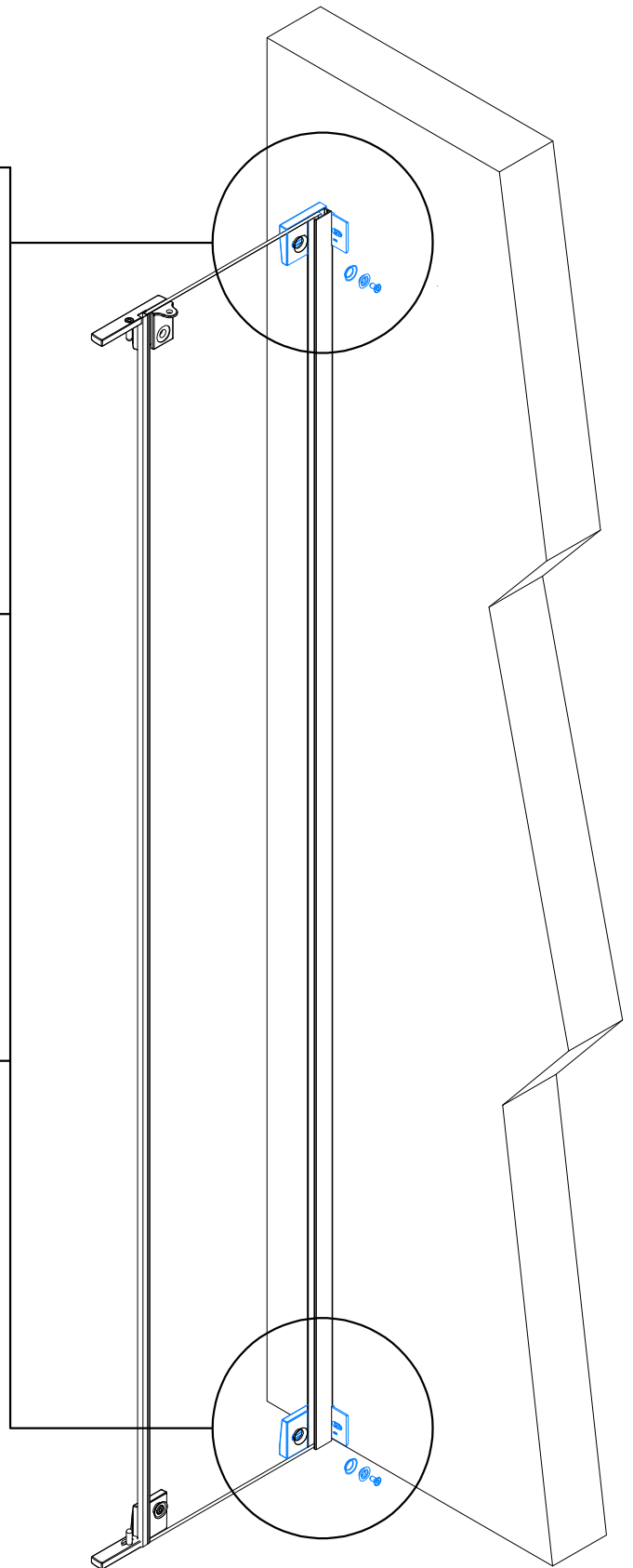
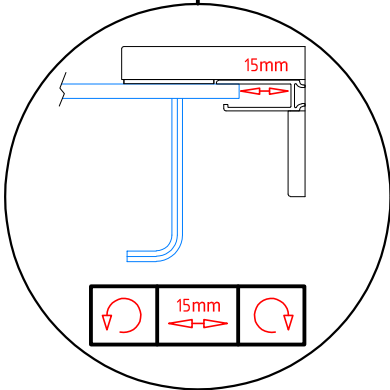
6.1



6.2



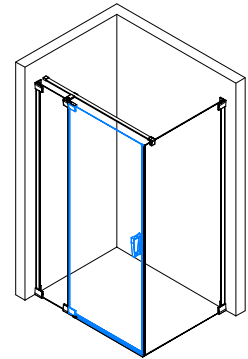
6.3



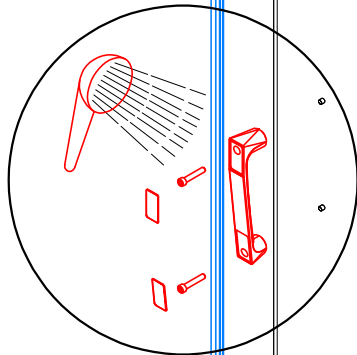
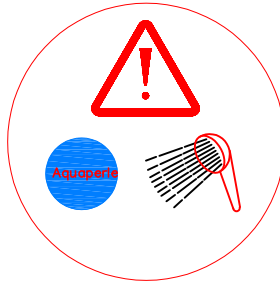
42356.1967

7.3

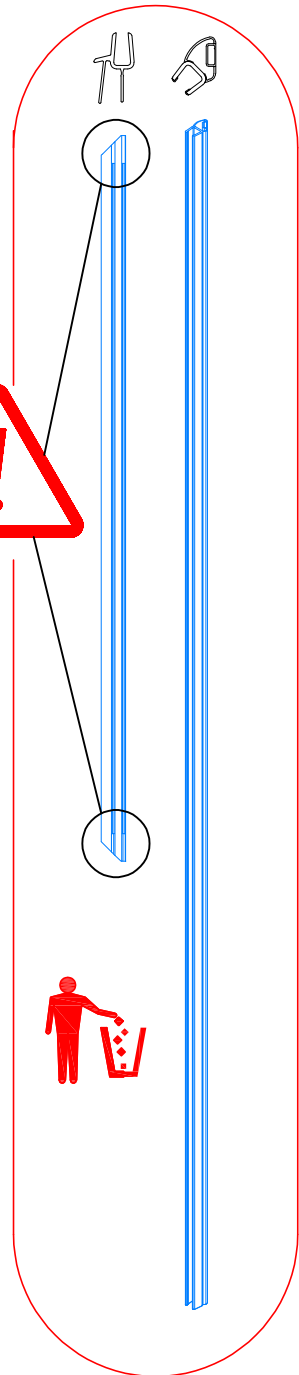
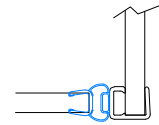
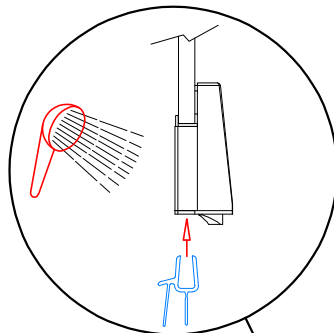
7.1 → 7.5



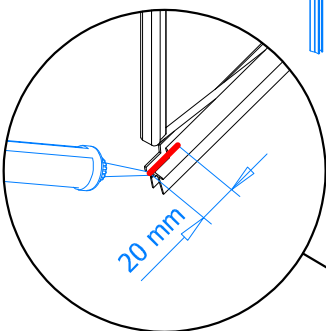
7.5



7.2



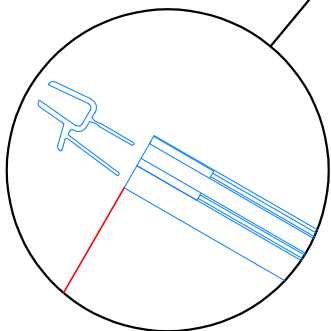
7.4



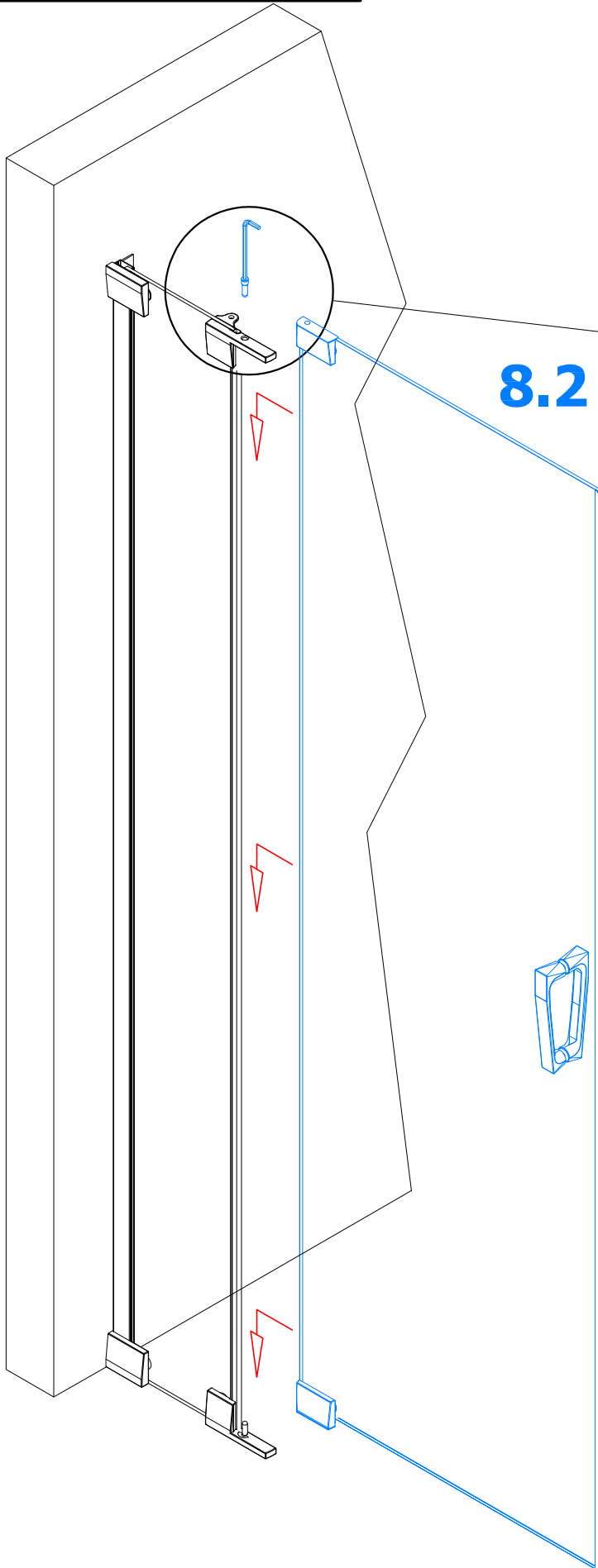
"X"

"X" + 7mm

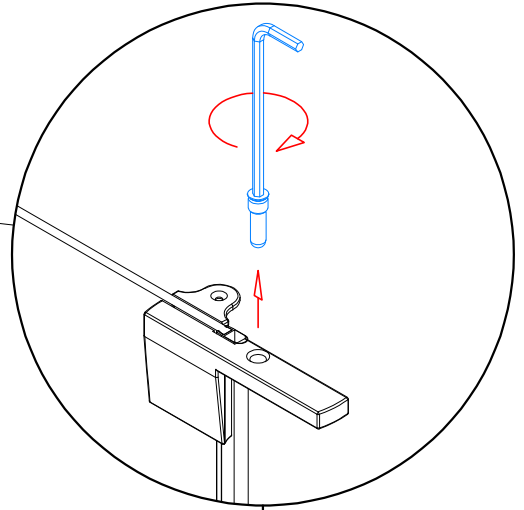
7.1



8.1 → 8.3

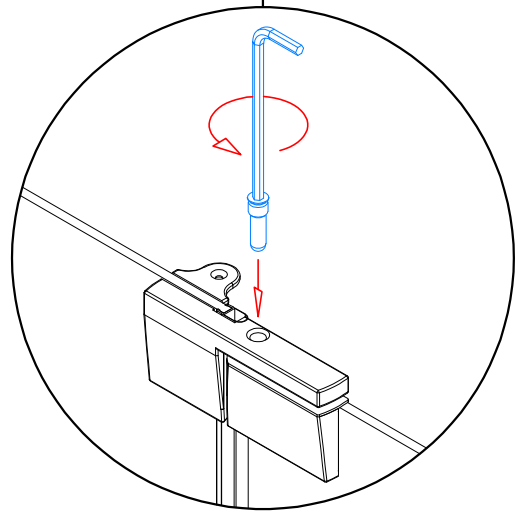


8.1

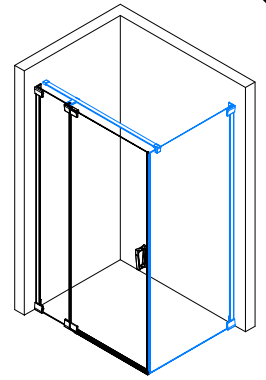


8.2

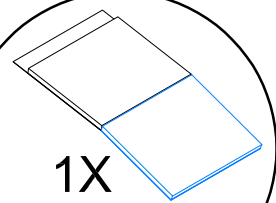
8.3



9.1 → 9.4



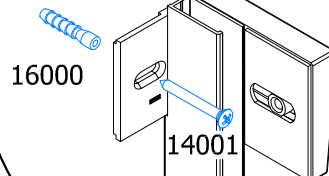
9.1



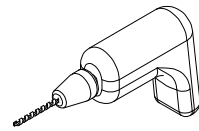
1X
51209

9.4

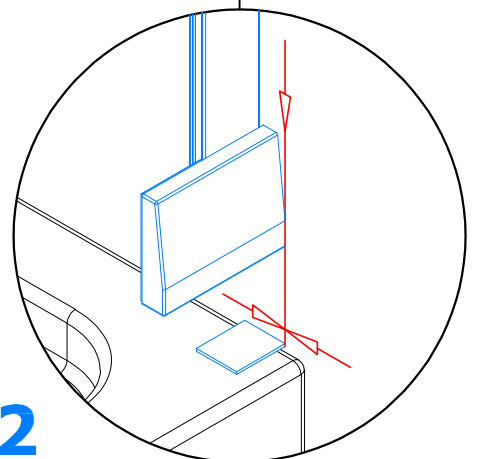
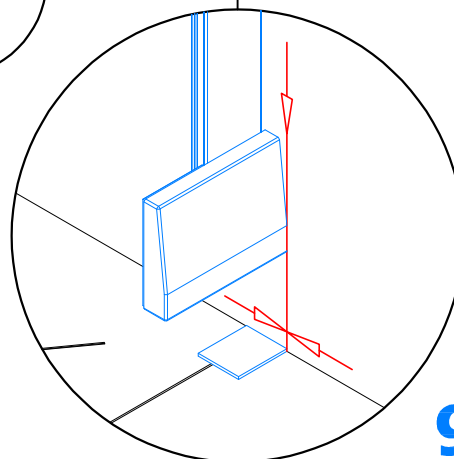
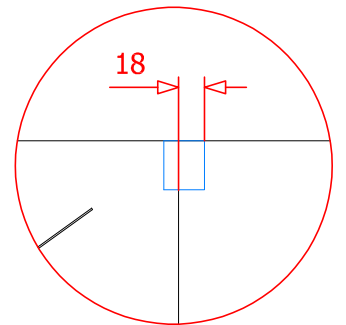
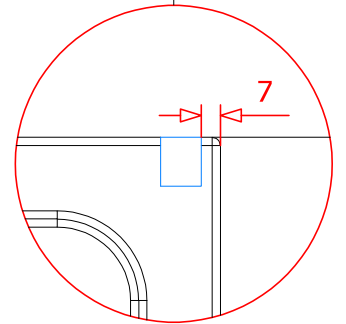
50015E1XX.1984



9.3



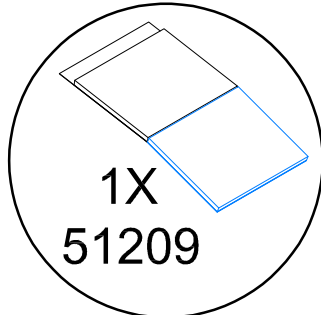
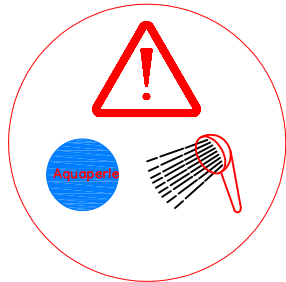
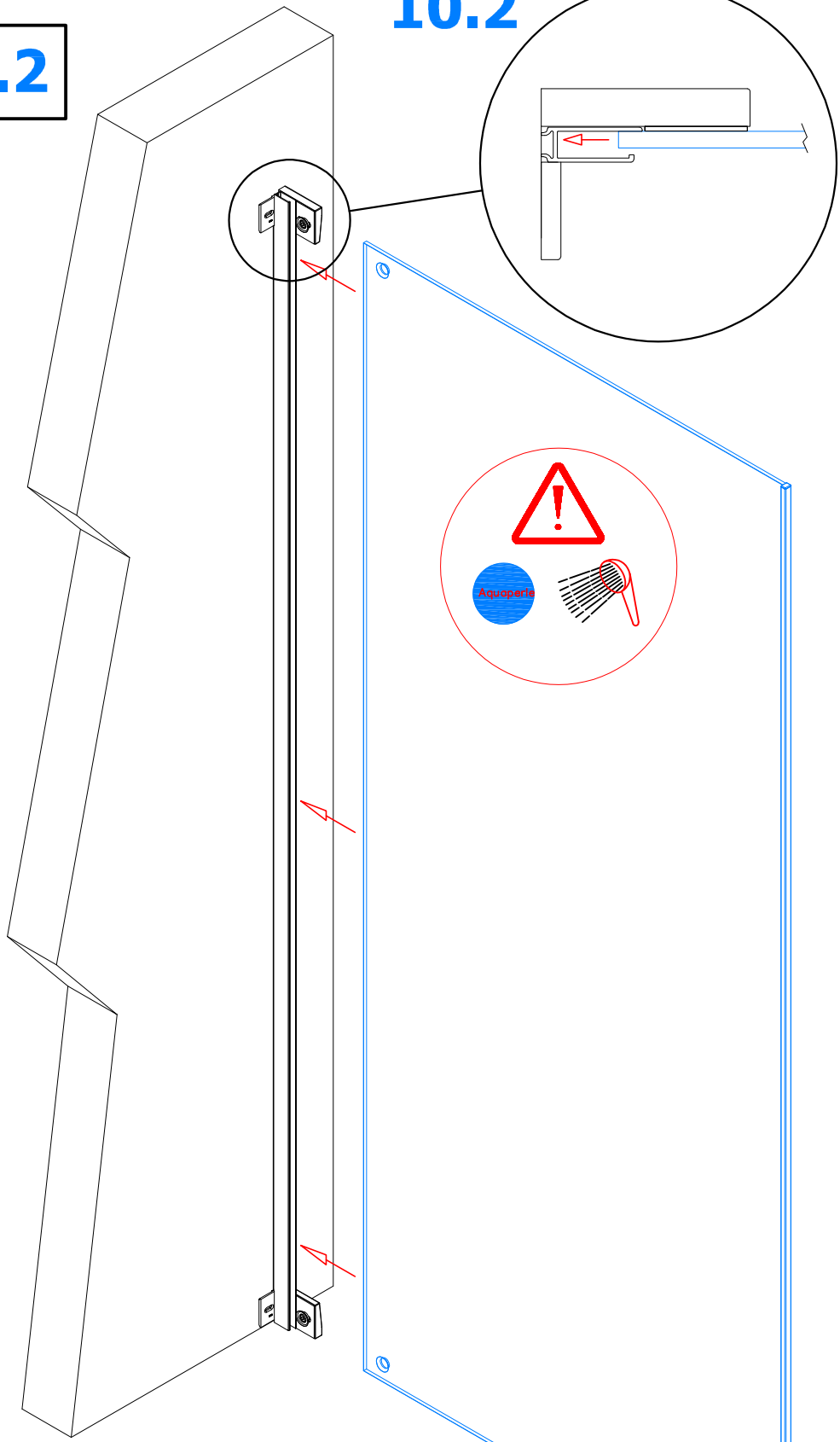
2X Ø6mm



9.2

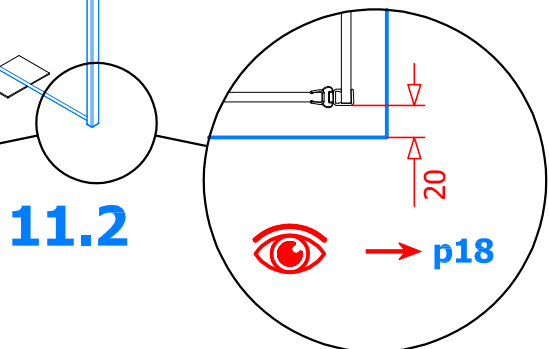
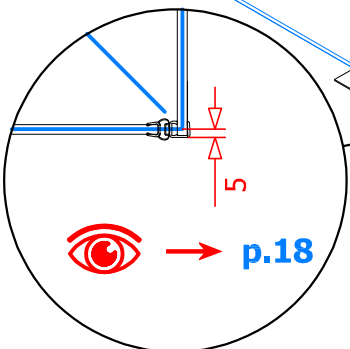
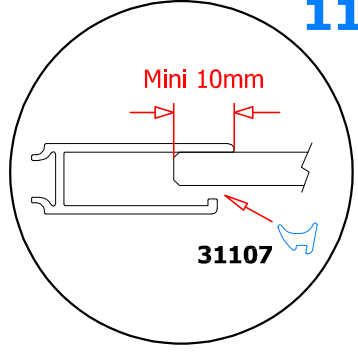
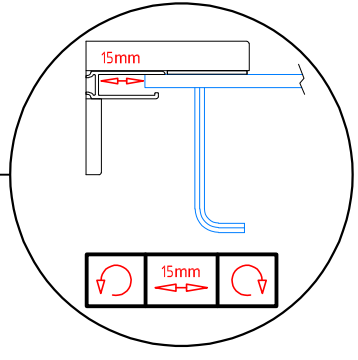
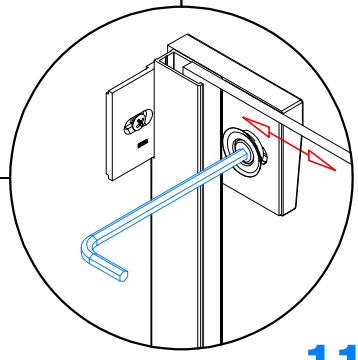
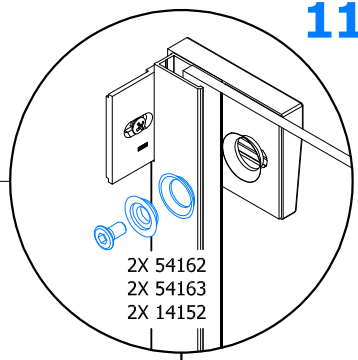
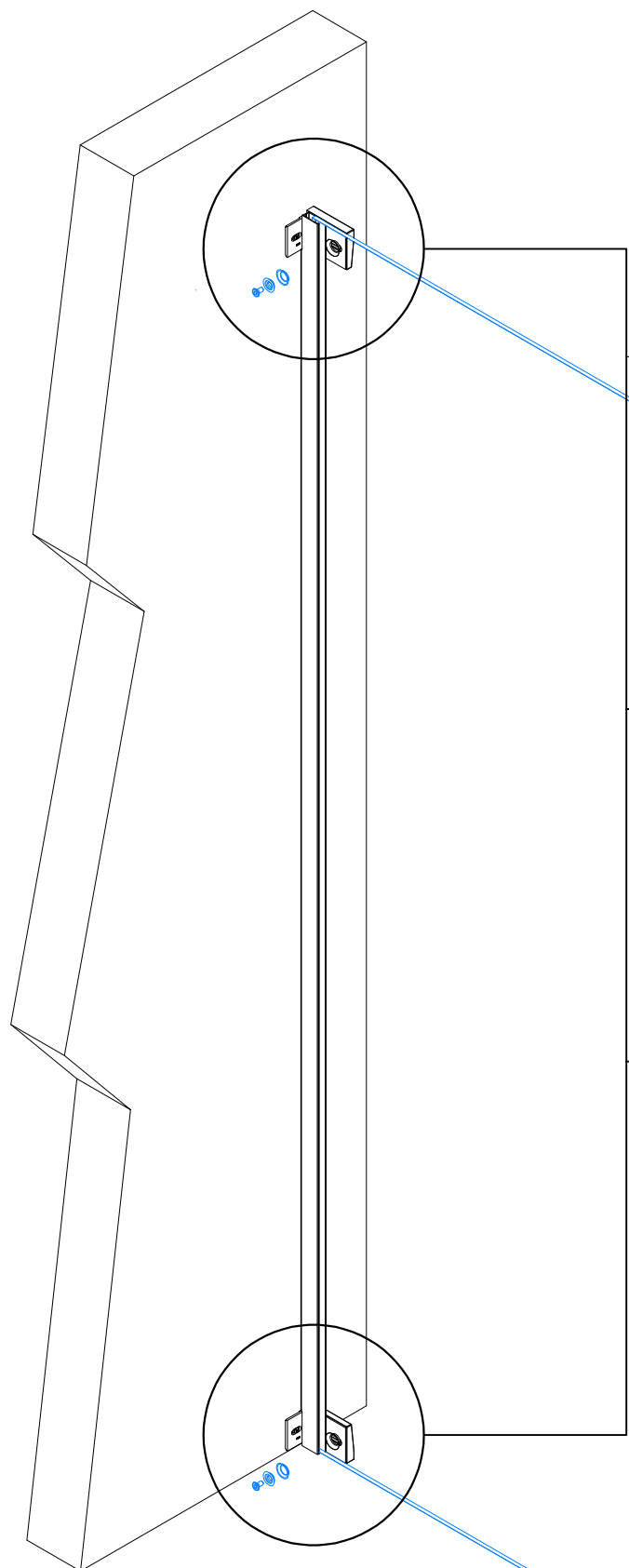
10.1 → 10.2

10.2



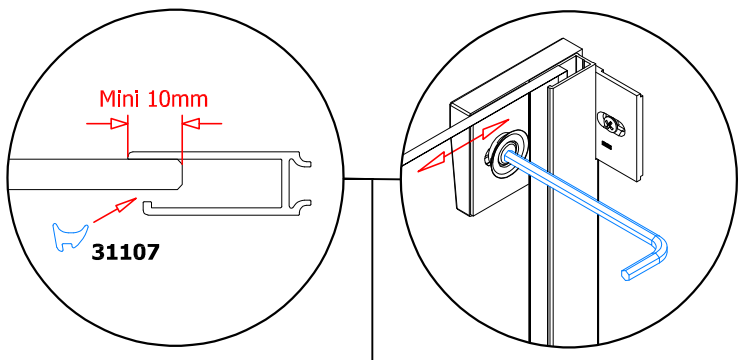
10.1

11.1 → 11.4

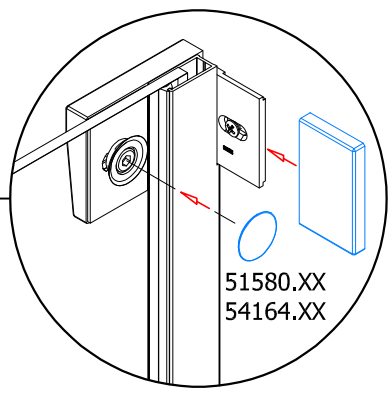


12.1 → 12.5

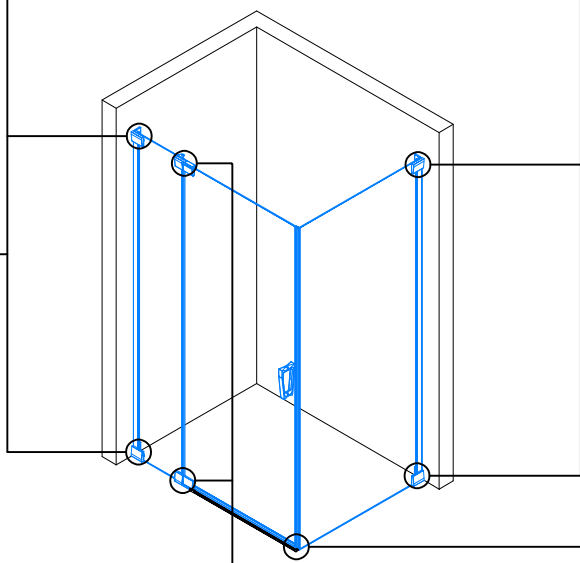
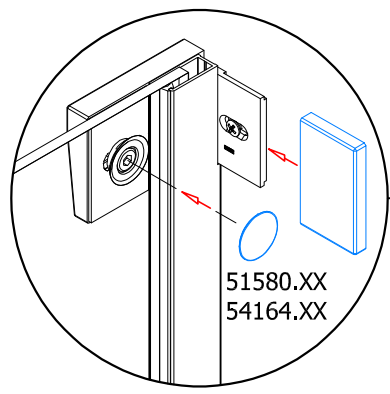
12.1



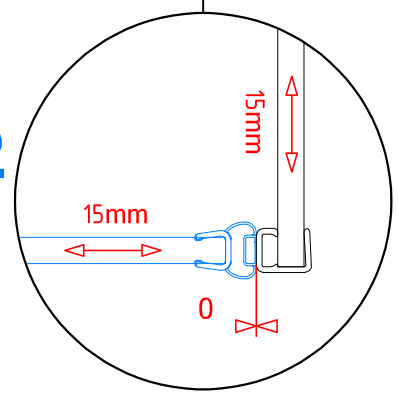
12.5



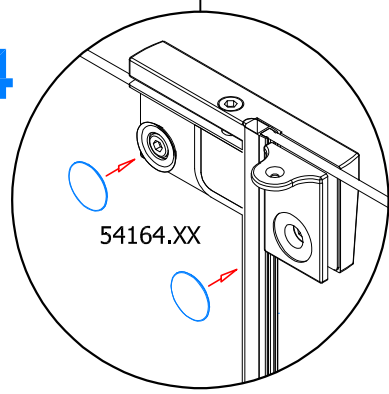
12.3



12.2



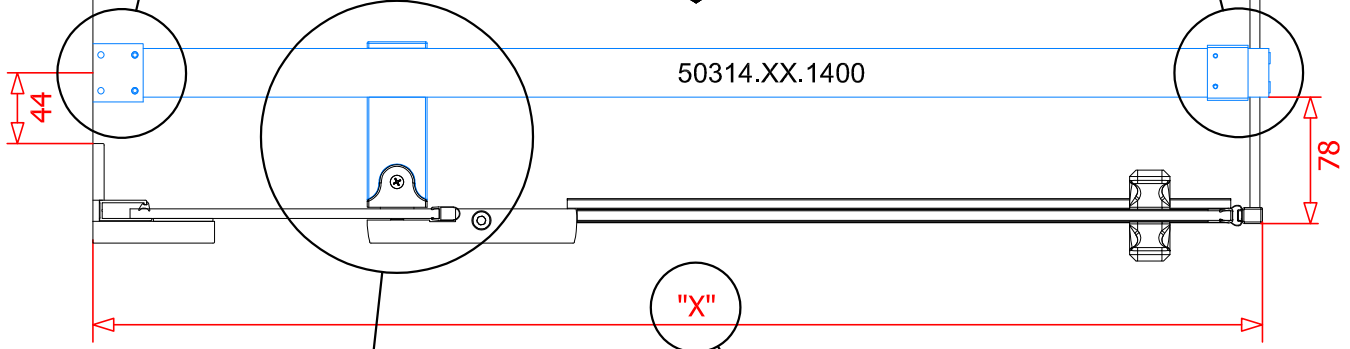
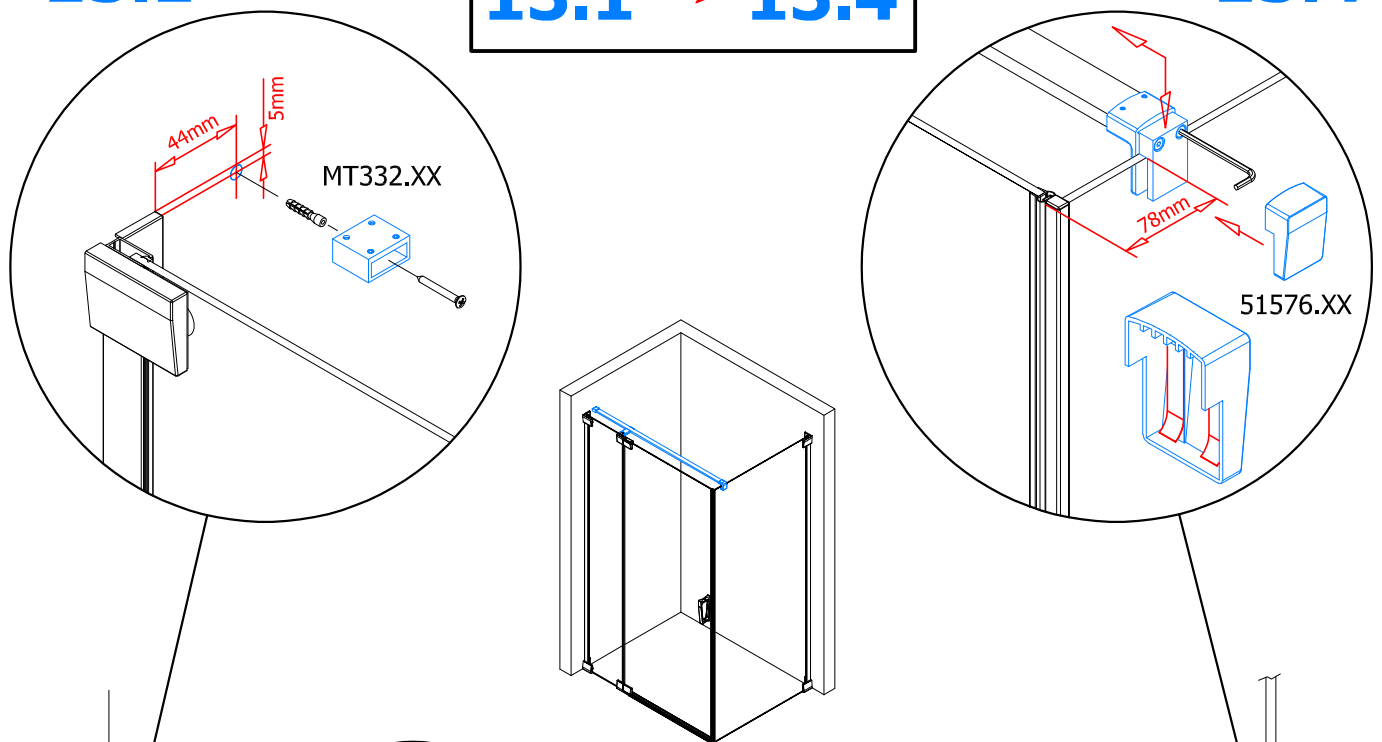
12.4



13.1

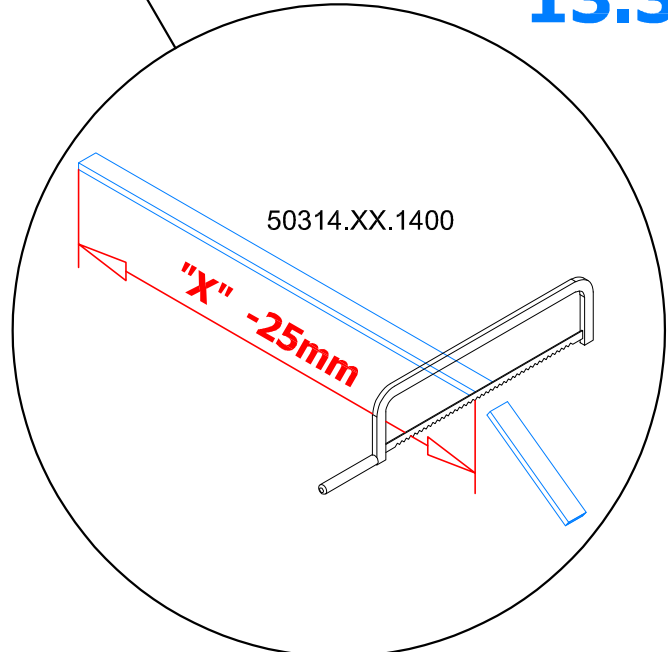
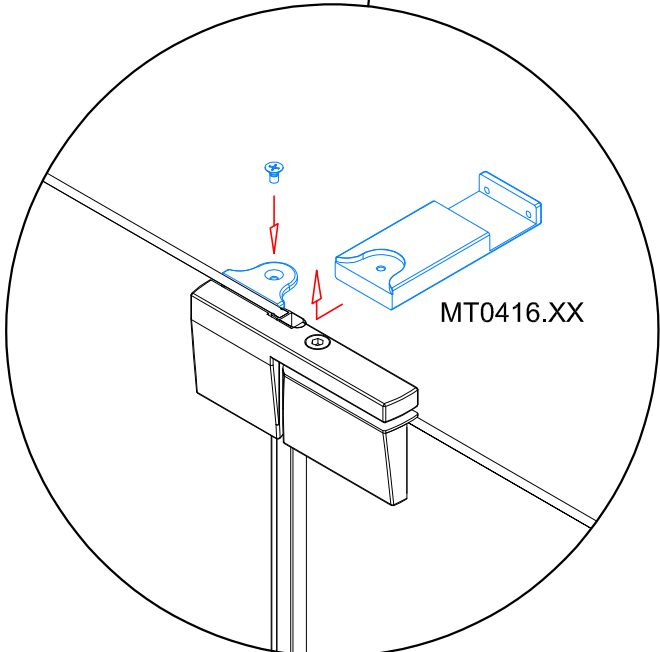
13.1 → 13.4

13.4

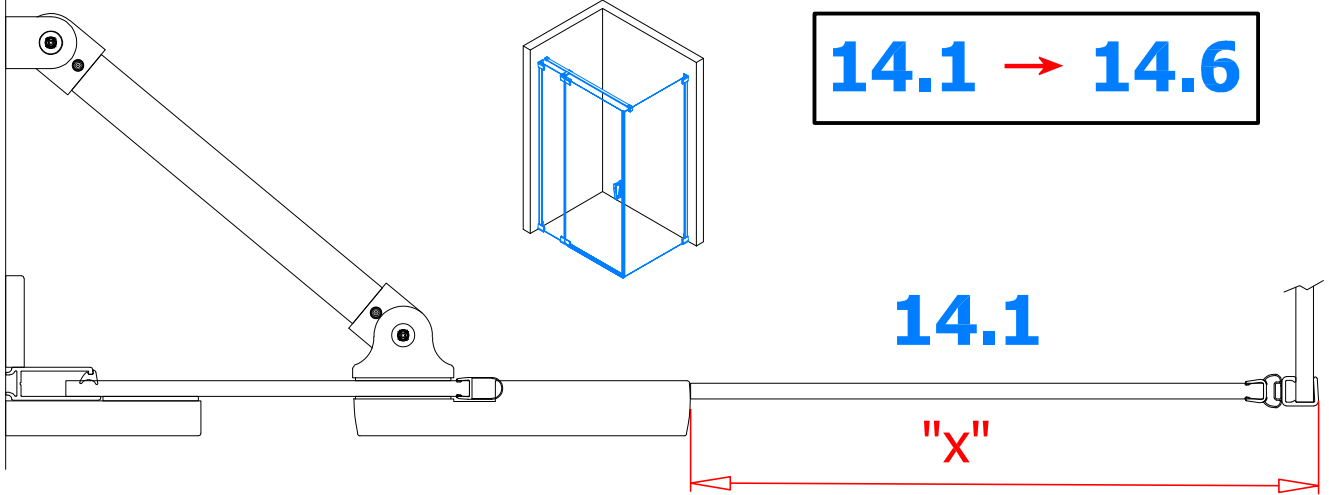


13.2

13.3

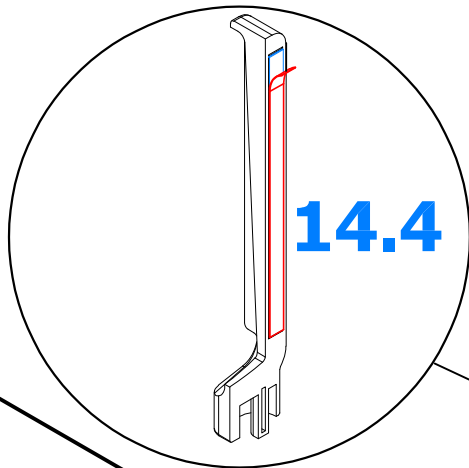
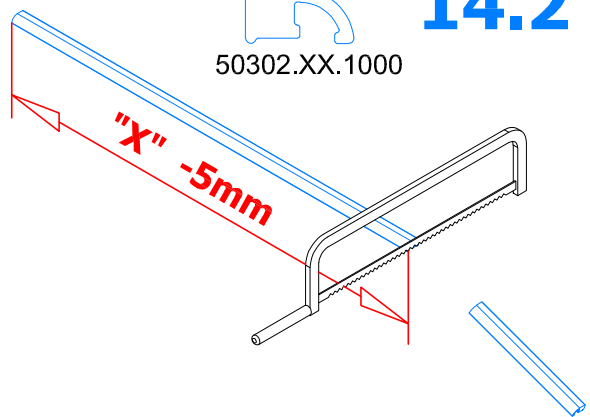


14.1 → 14.6

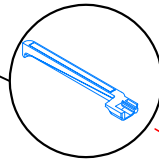


50302.XX.1000

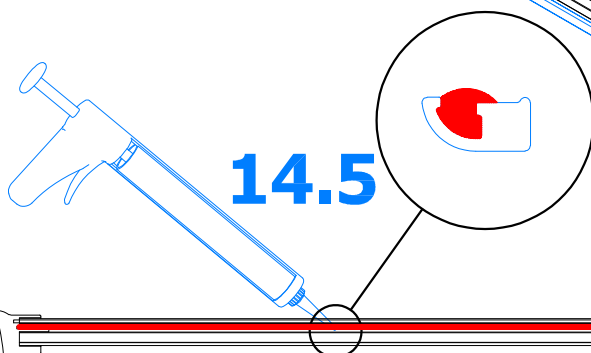
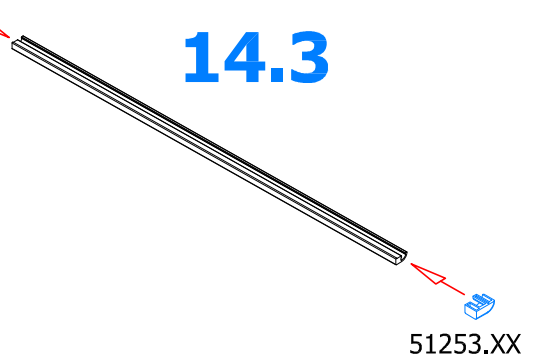
14.2



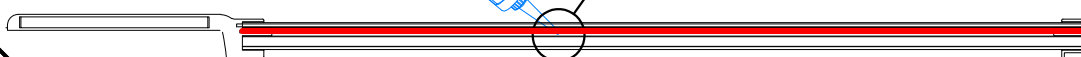
51624.XX



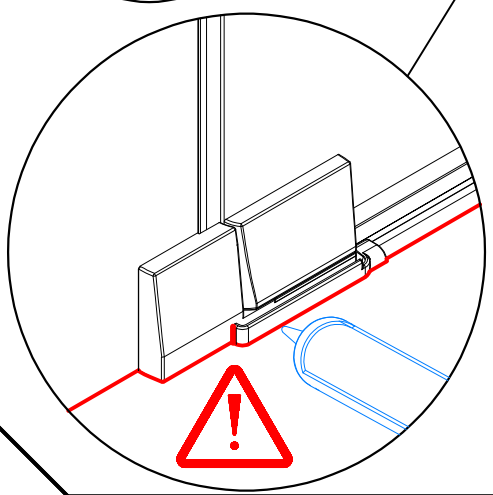
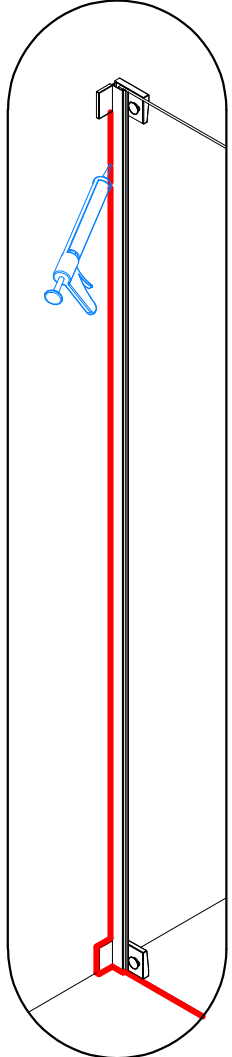
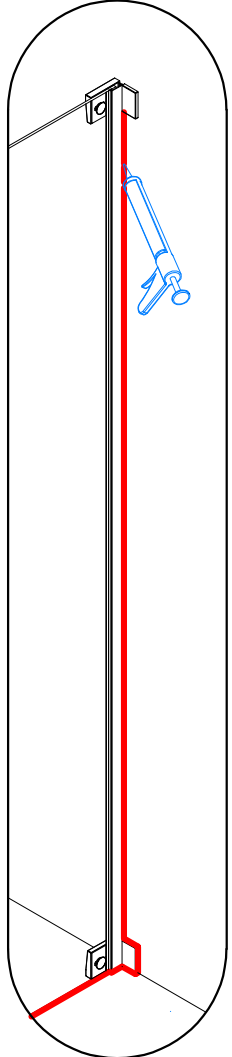
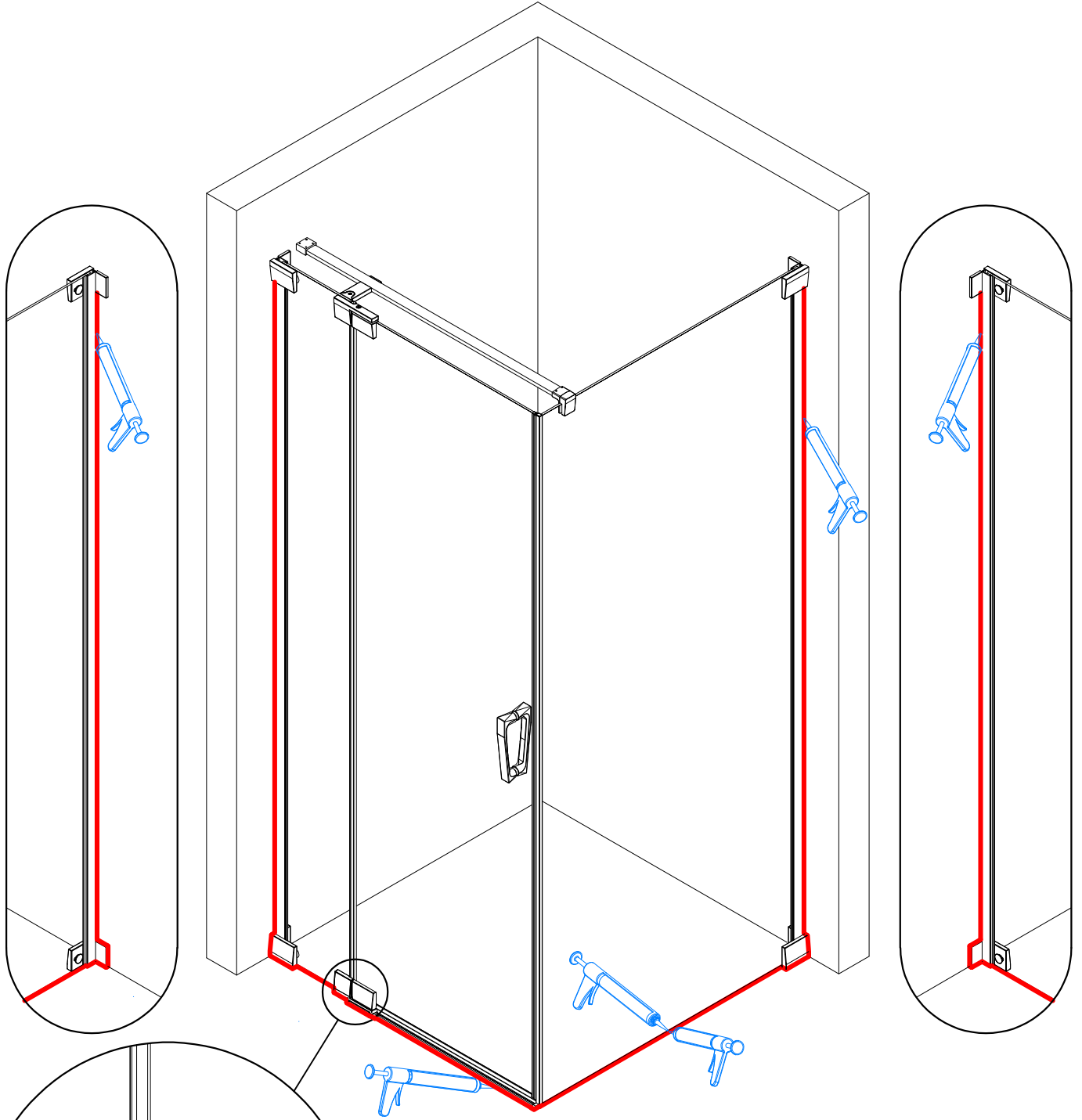
14.3



14.6

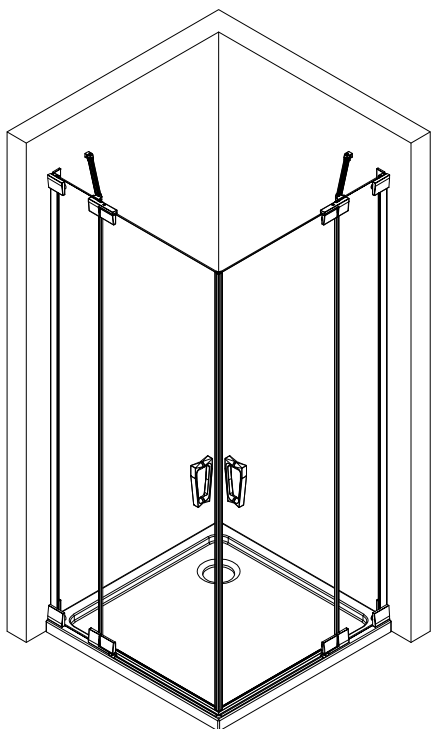


15.

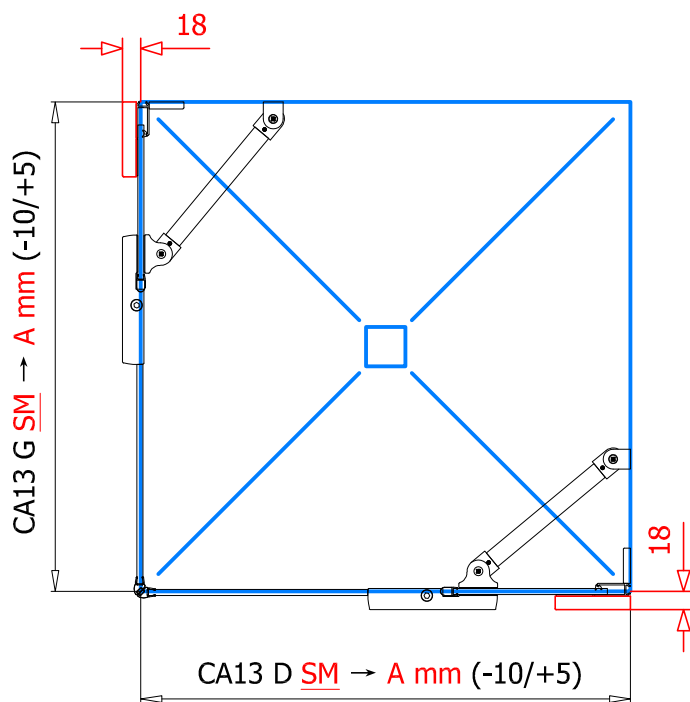
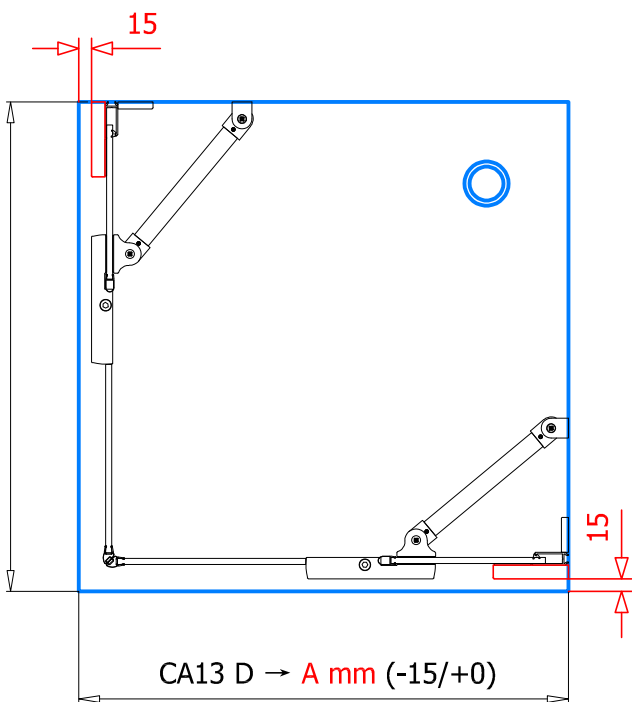
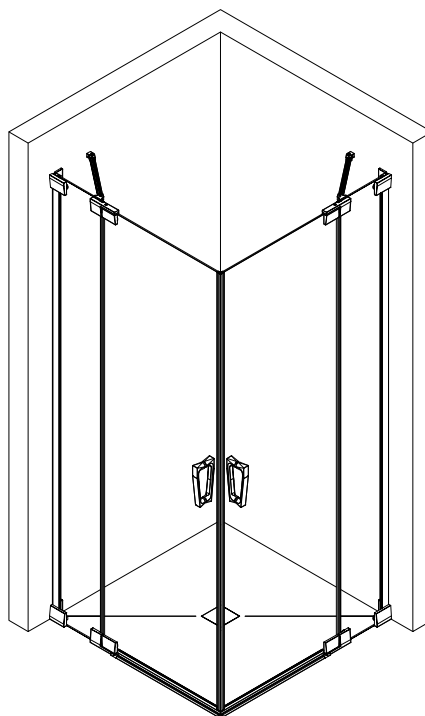




1.



2.



CA13 D SM → A mm (-10/+5)

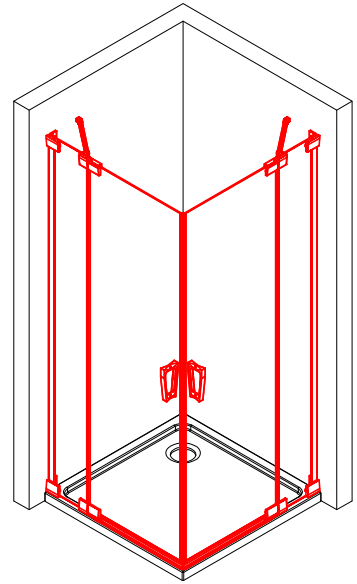
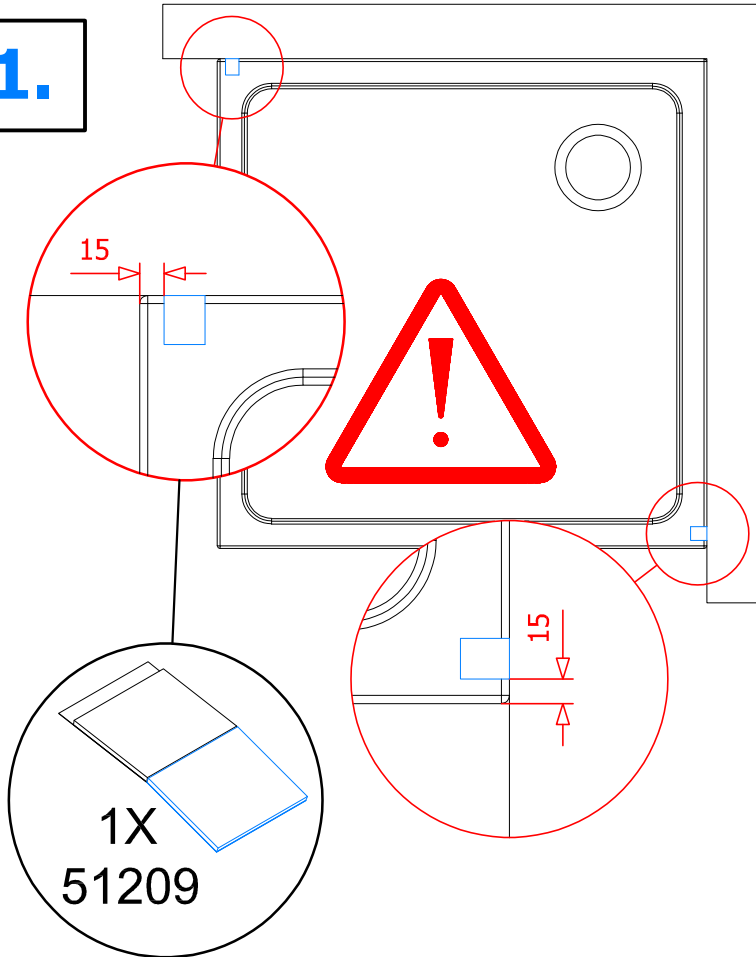
CA13 G SM → A mm (-10/+5)



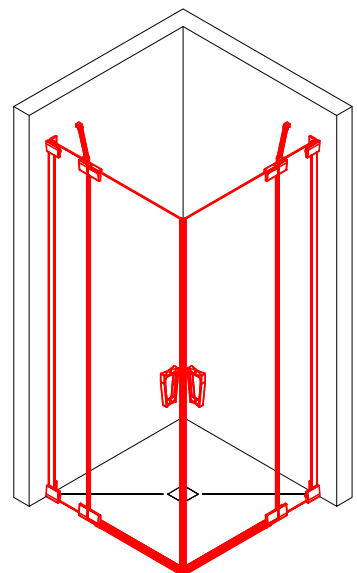
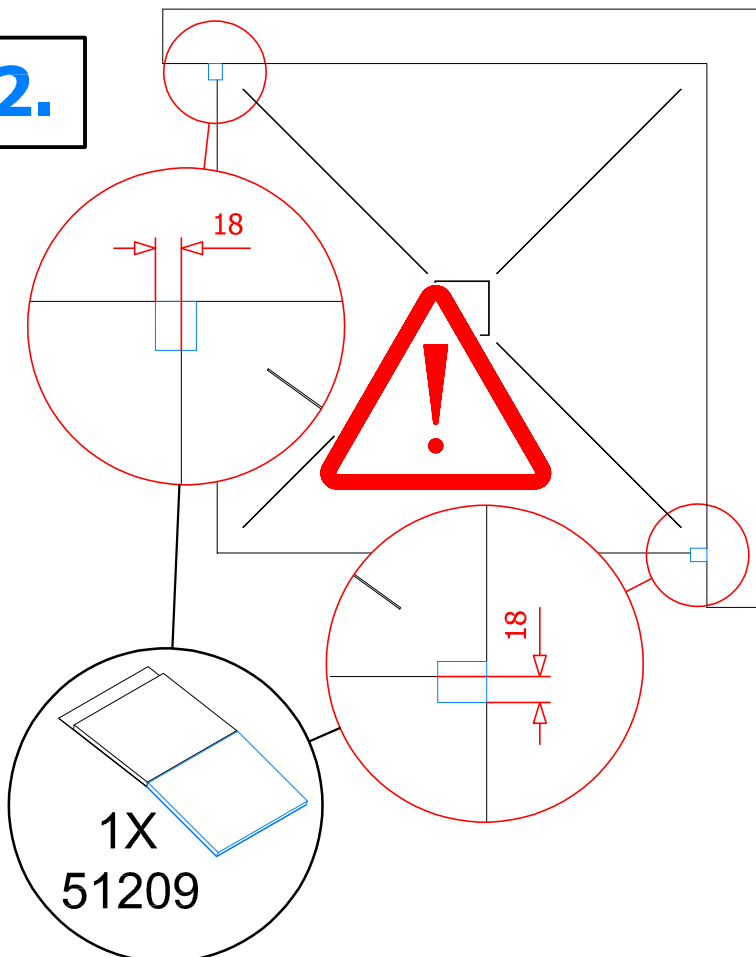
CA13 D SM → A mm (-10/+5)

CA13 G SM → A mm (-10/+5)

1.

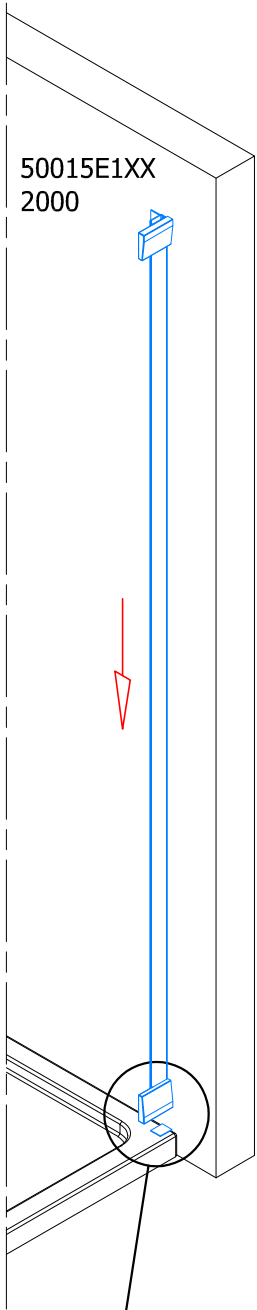


2.

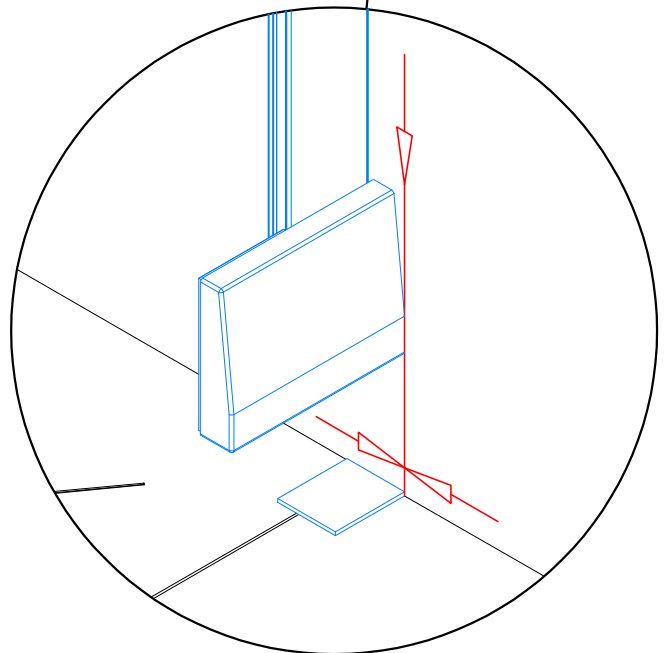
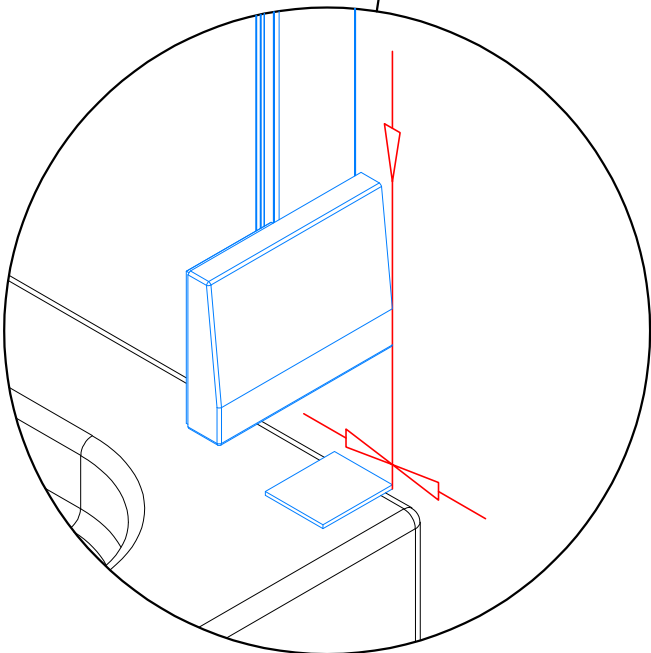
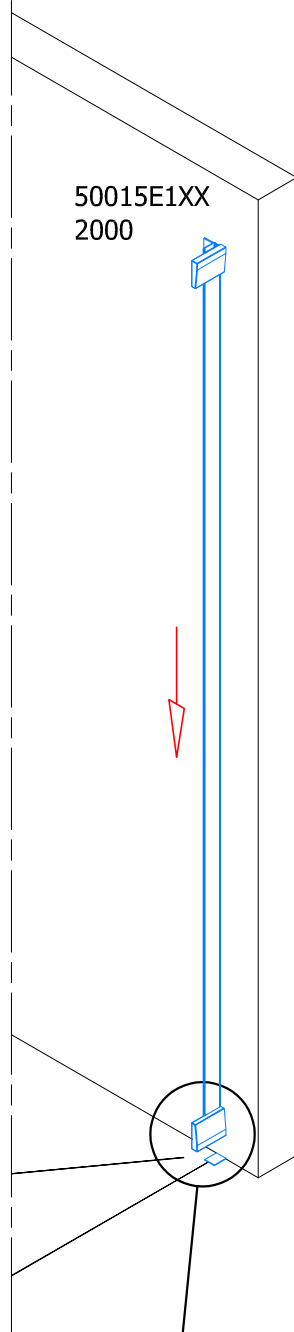


3.

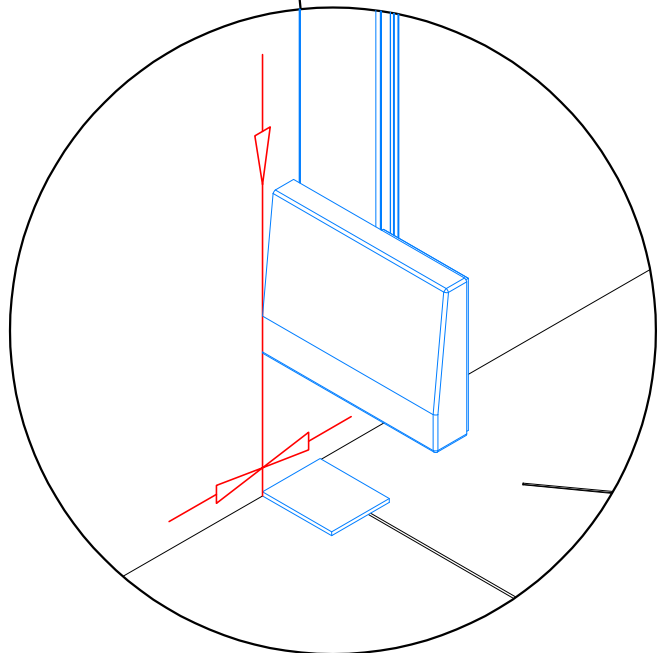
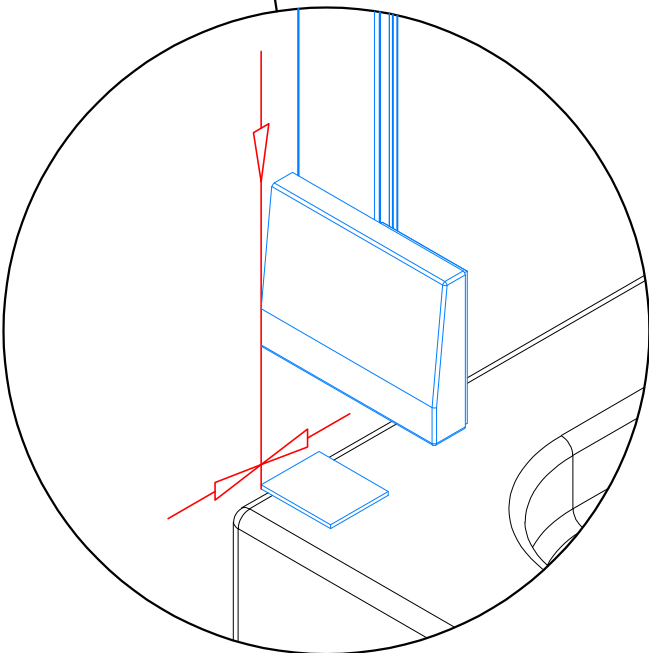
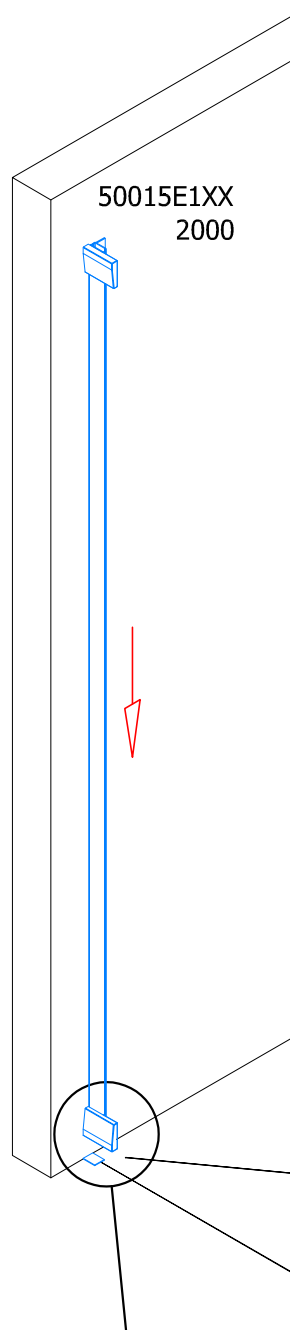
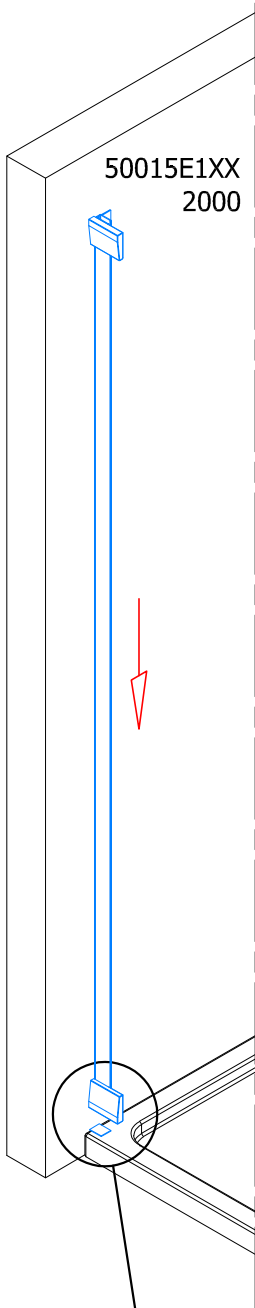
50015E1XX
2000



50015E1XX
2000

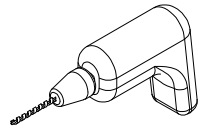


4.



5.1 → 5.3

5.2



2X $\phi 6\text{mm}$

5.3

50015E1XX2000

16000

14001

18mm

p.33

5.1

"X" mm

p.33

"X" mm

p.33

5.1

18mm

p.33

6.1 → 6.2

6.2

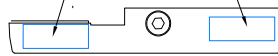
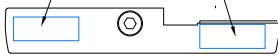
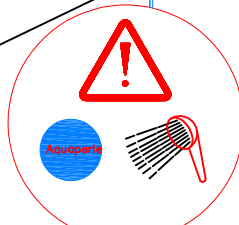
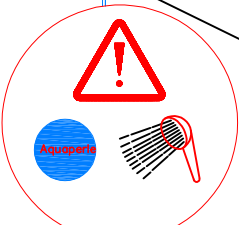
6.1

52105

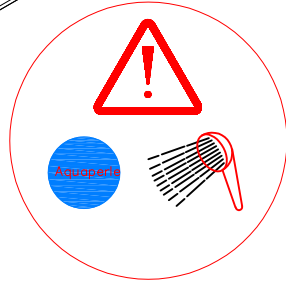
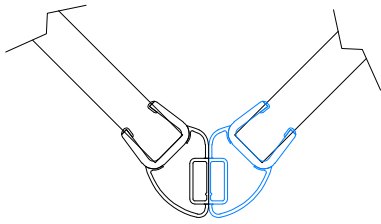
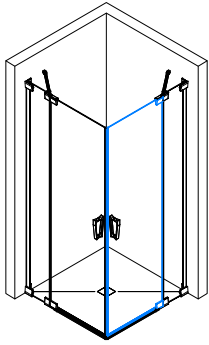
52105

2X 51600

2X 51600



7.1 → 7.5



7.3

7.5

7.4

7.2

7.1

42352TL.1967

52203U.1000.F

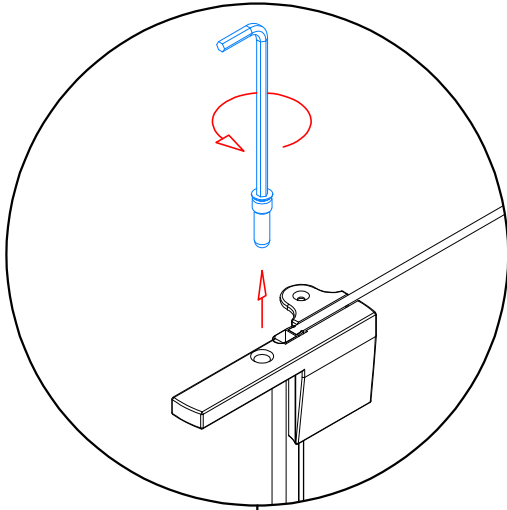
20 mm

"X"

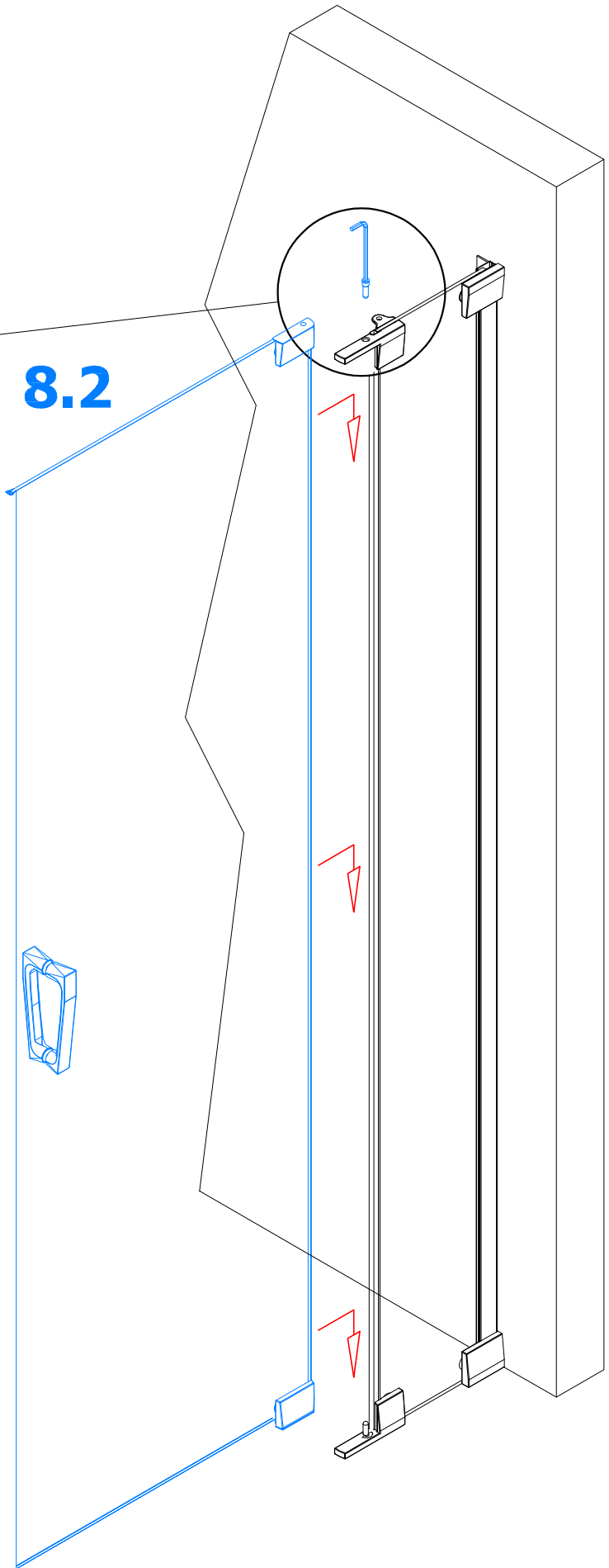
"X" + 10mm

8.1 → 8.3

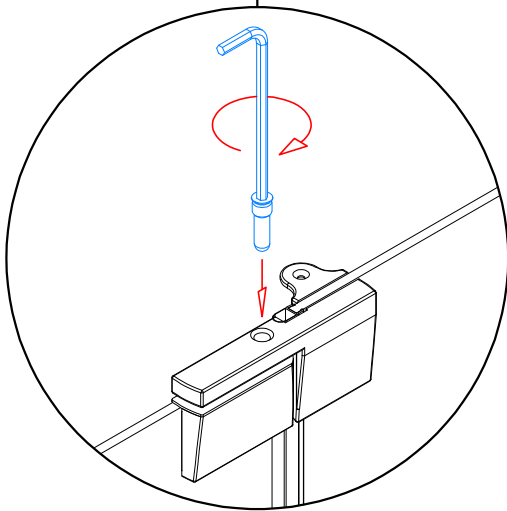
8.1



8.2



8.3



9.1 → 9.5

42352TR.1967

9.3

9.5

9.4

20 mm

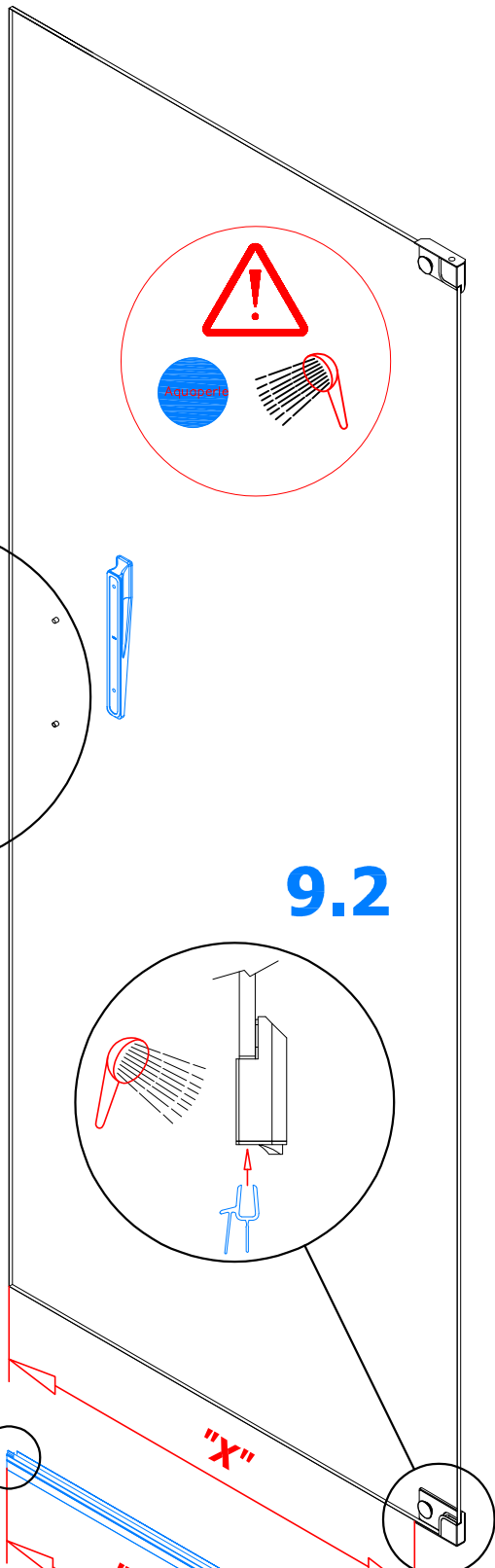
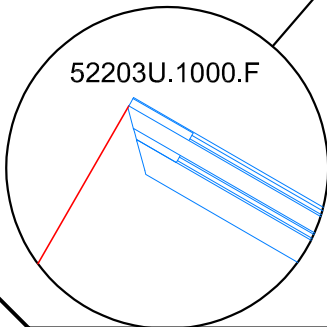
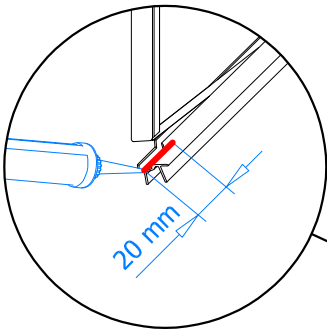
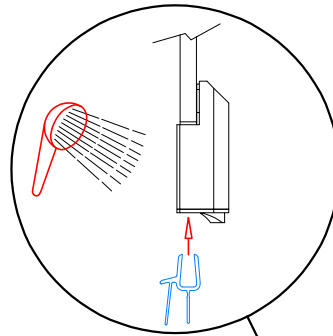
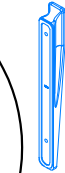
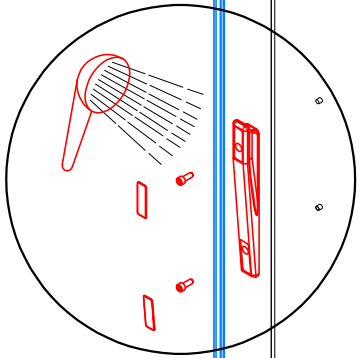
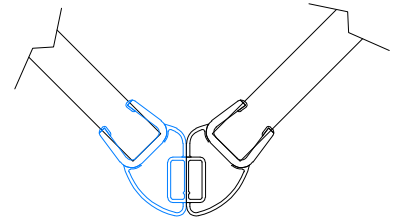
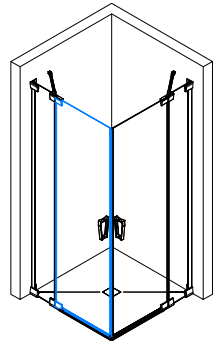
52203U.1000.F

9.2

"X"

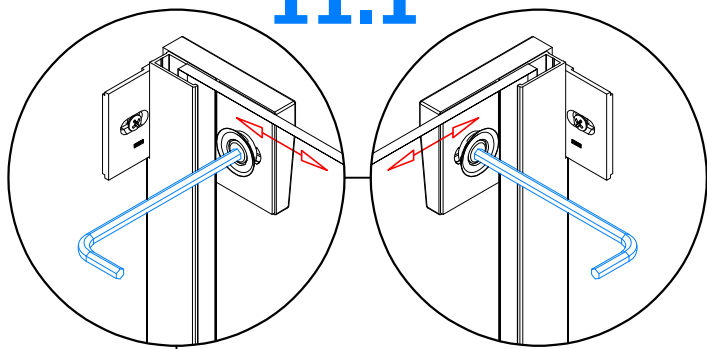
"X" + 10mm

9.1

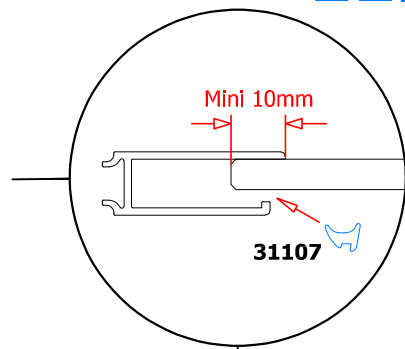


11.1 → 11.4

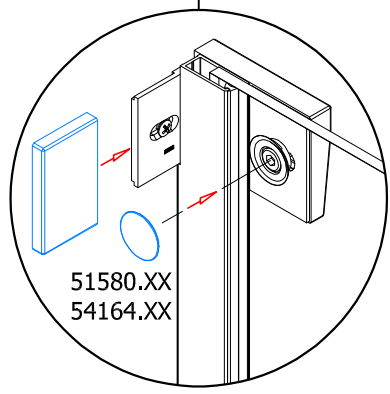
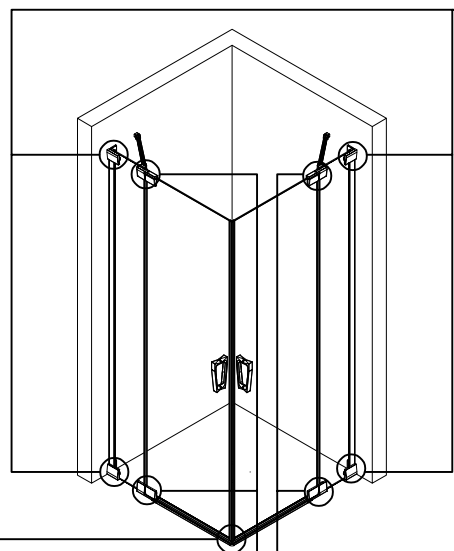
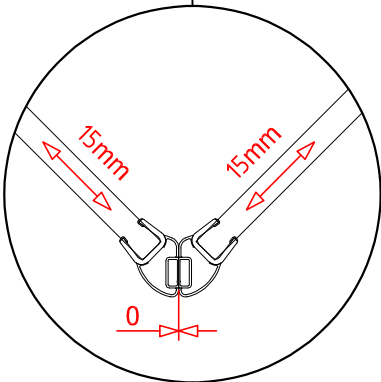
11.1



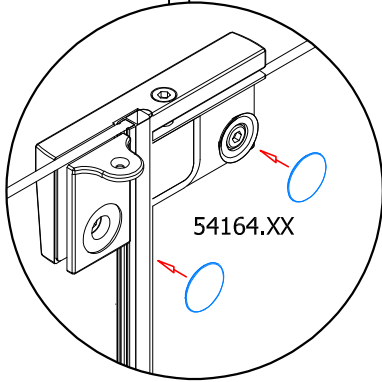
11.2



11.3

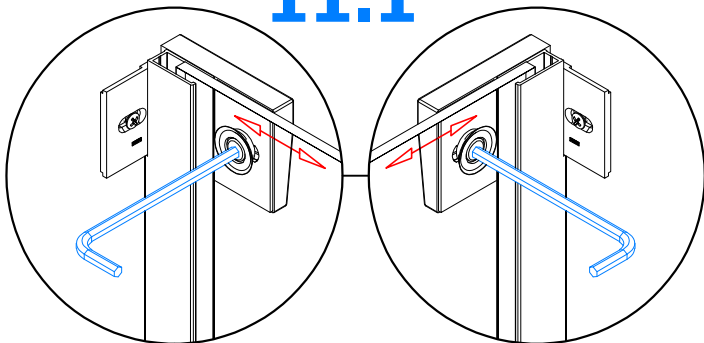


11.4

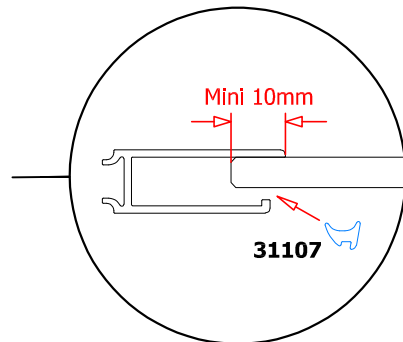


11.1 → 11.4

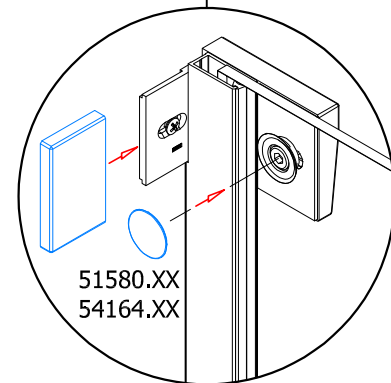
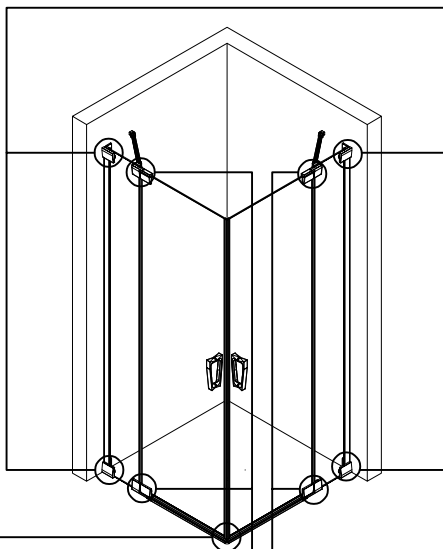
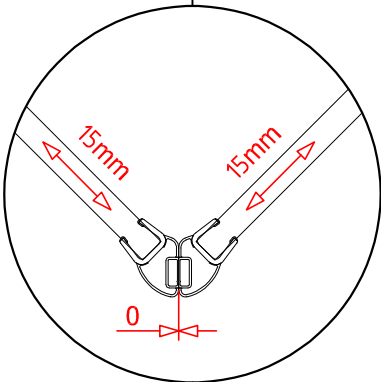
11.1



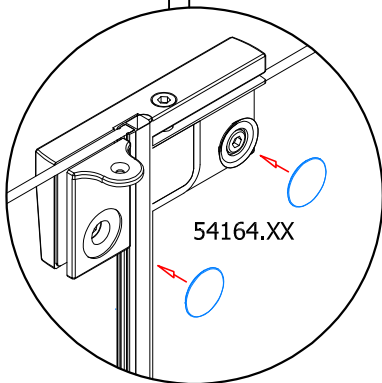
11.2



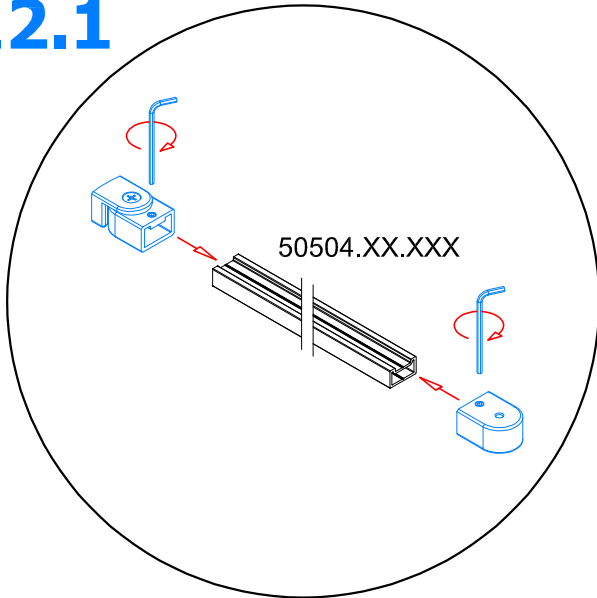
11.3



11.4

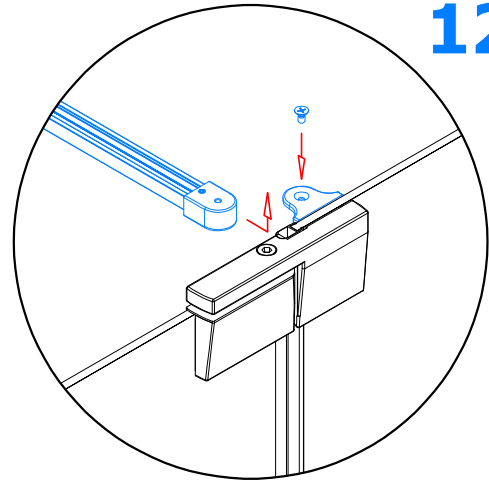


12.1

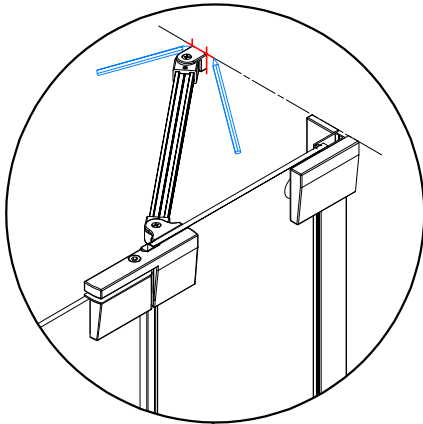


12.1 → 12.6

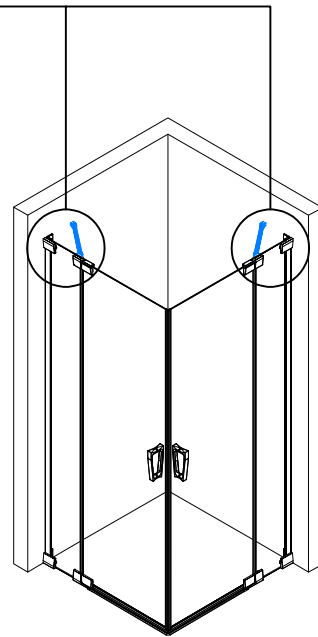
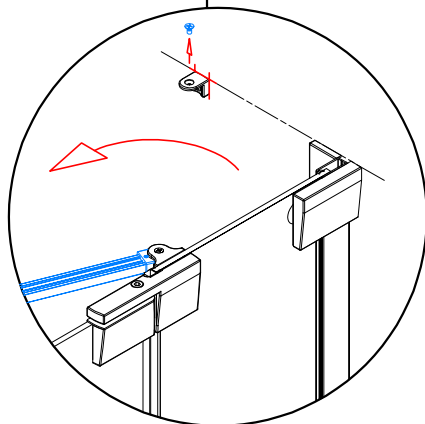
12.2



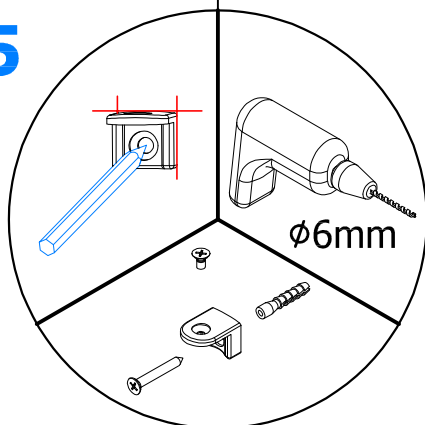
12.3



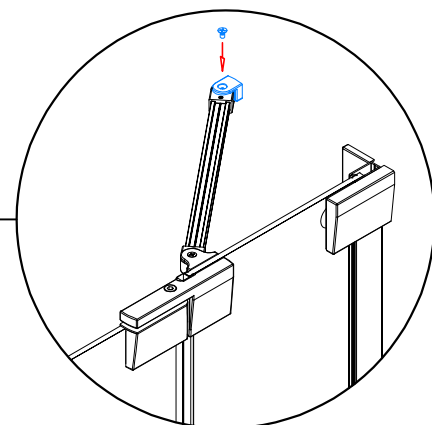
12.4



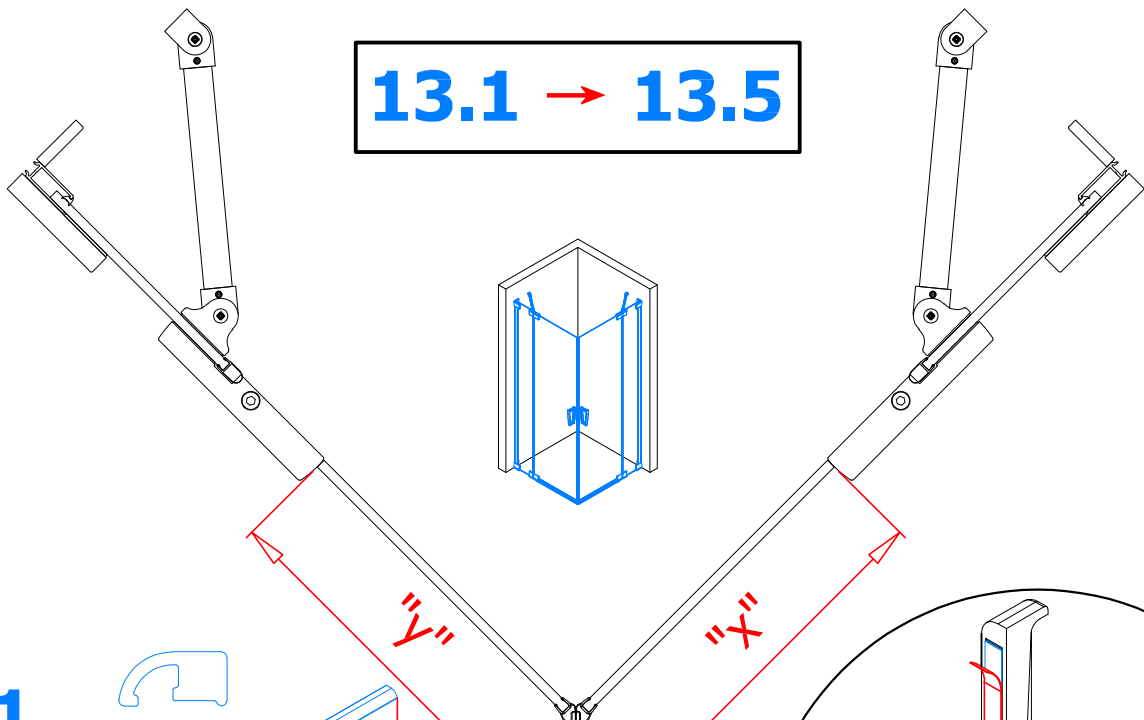
12.5



12.6

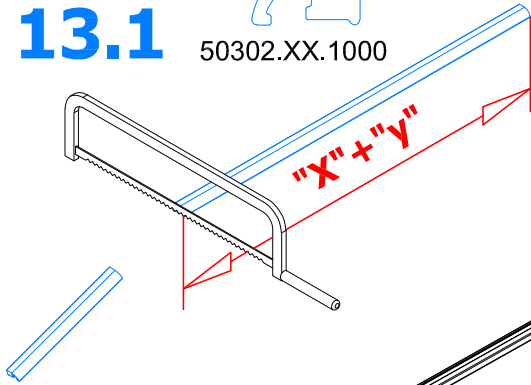


13.1 → 13.5



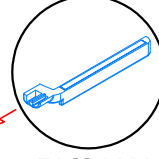
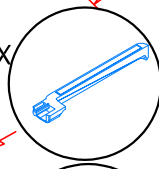
13.1

50302.XX.1000



"X" + "Y"

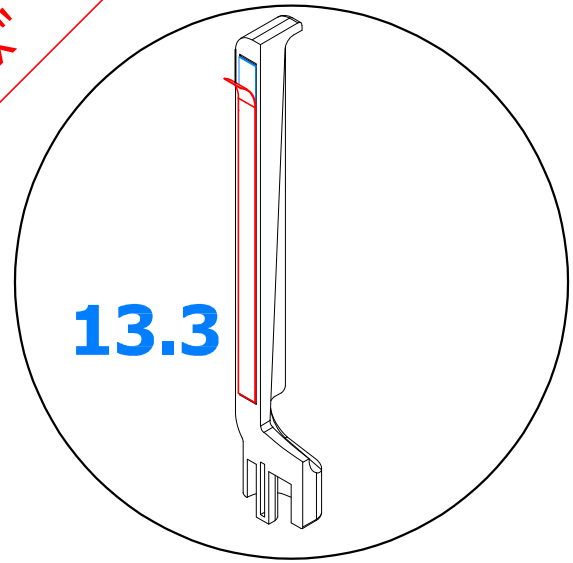
51625.XX



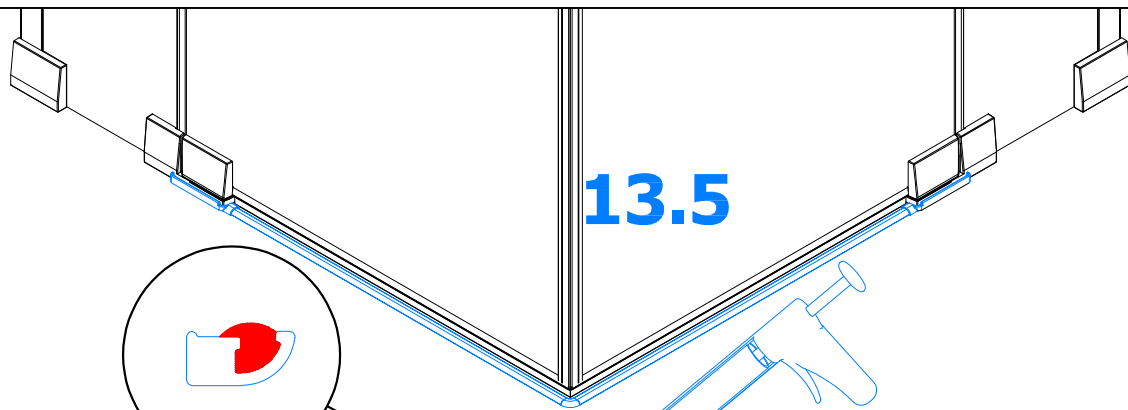
51624.XX

51348.XX

13.2

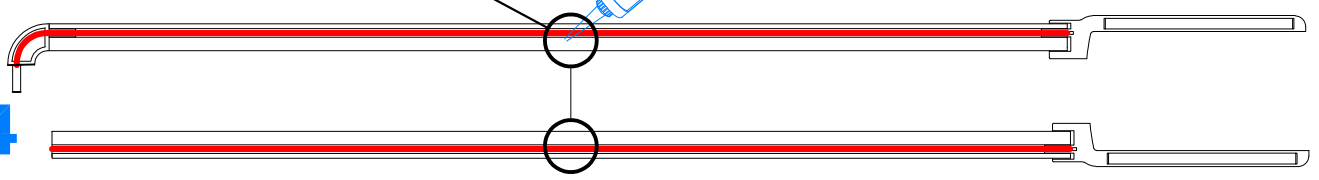


13.3



13.5

13.4



14.

