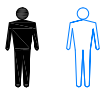
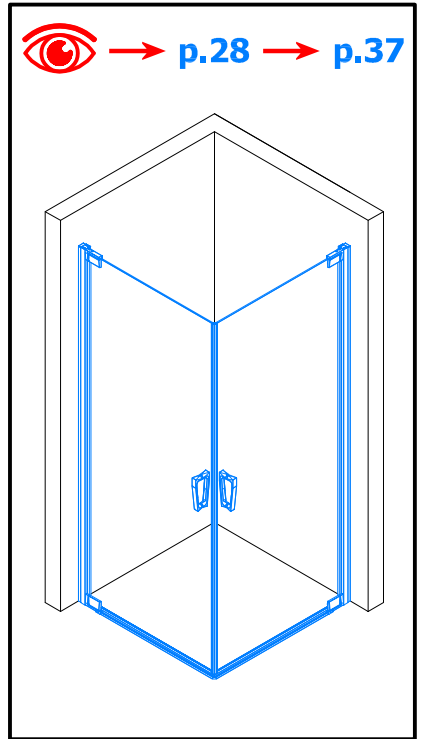
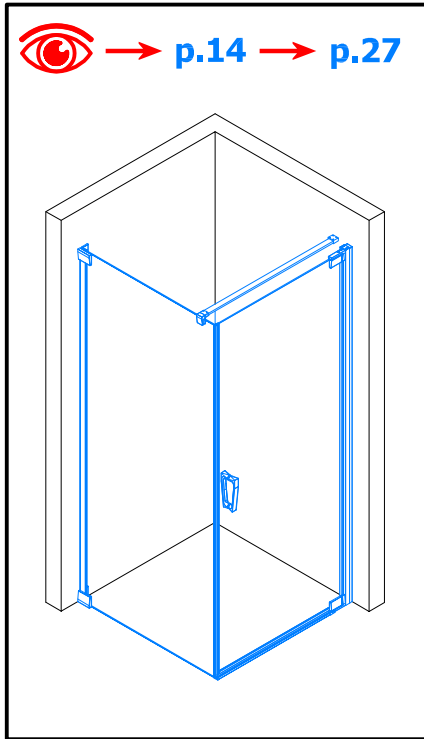
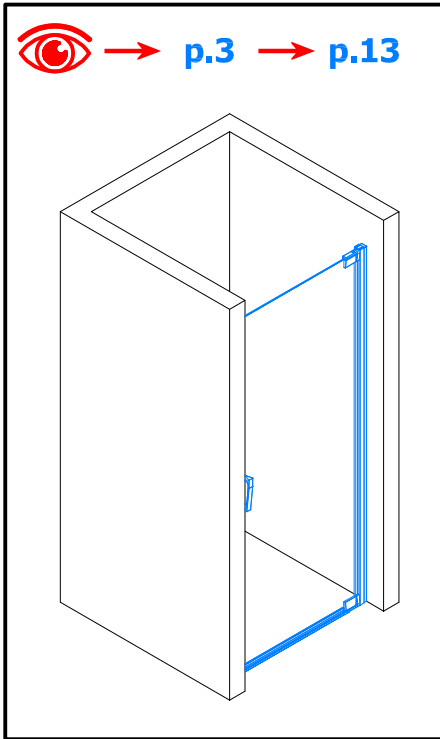
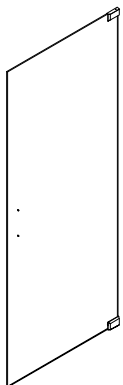
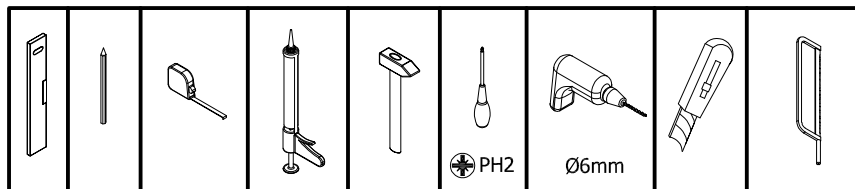



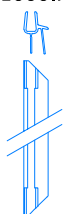

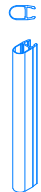










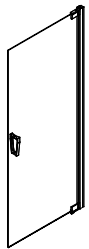
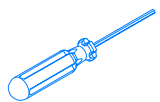
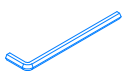


19613

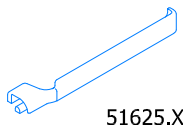
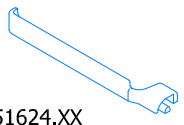



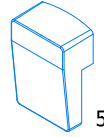


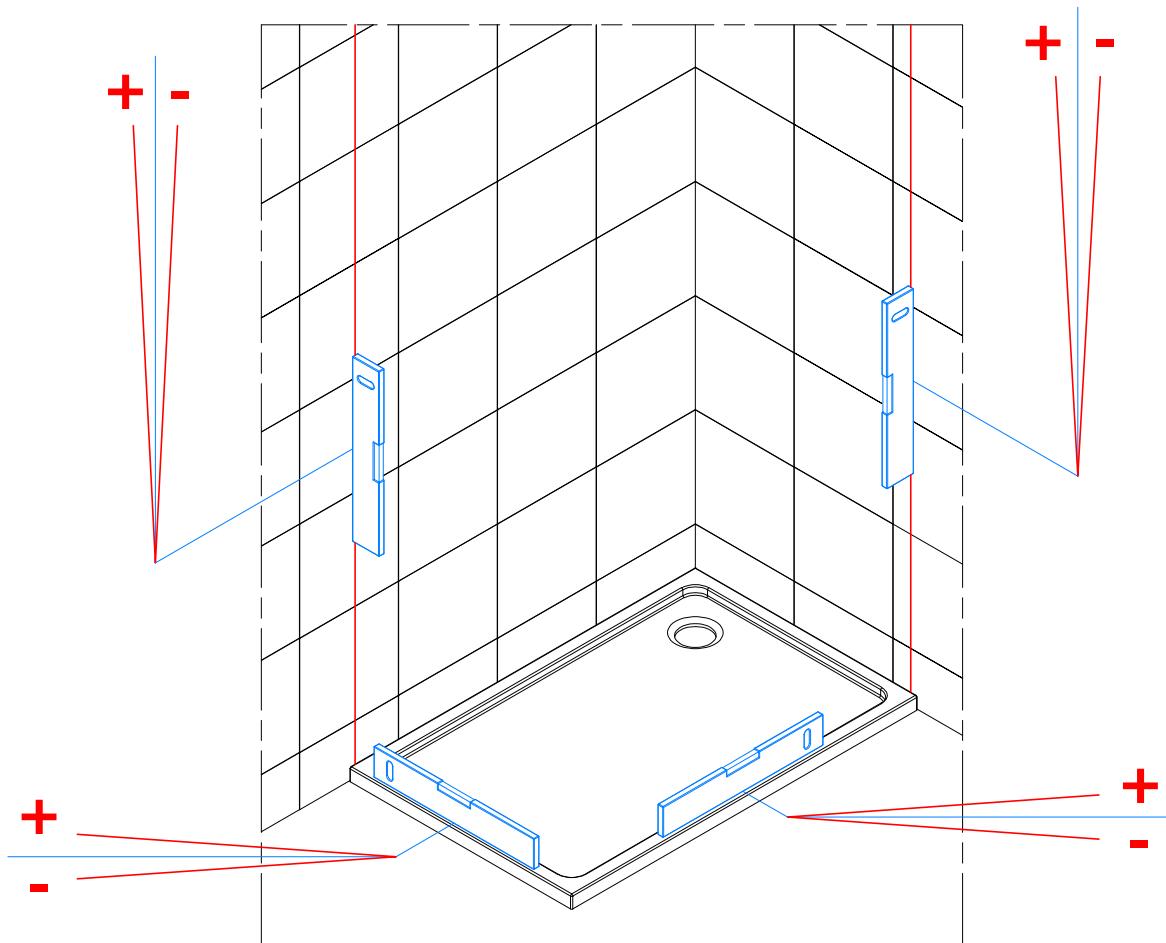
1x

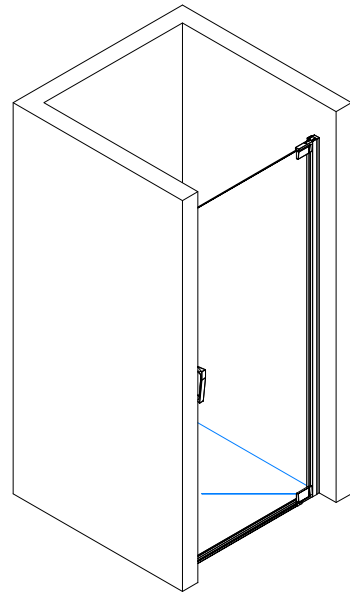
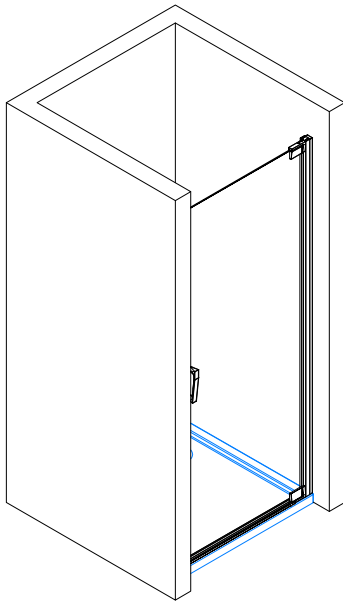


50031E1XXR2000	50441. XX.1997	52203U. 1000.F	42352TR. 1967	52105. 2000	MT0382.XX	
						1 x 50302. XX.1000
						

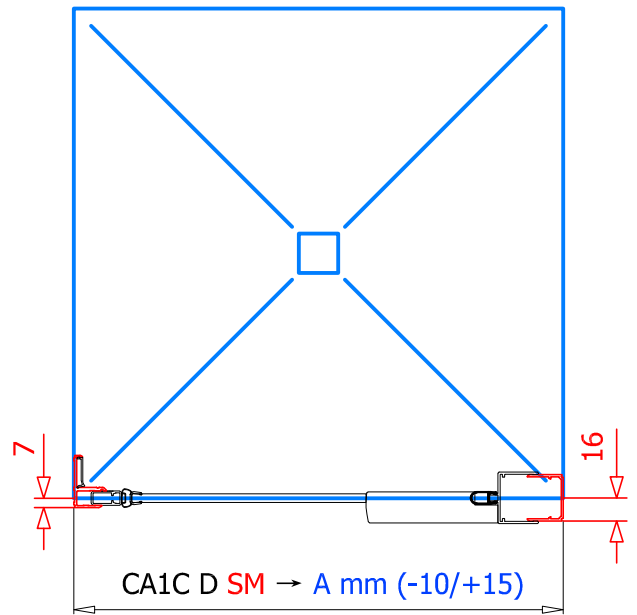
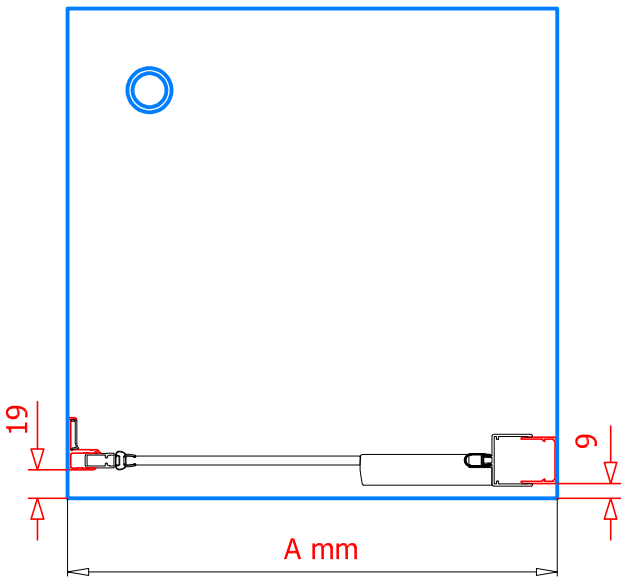
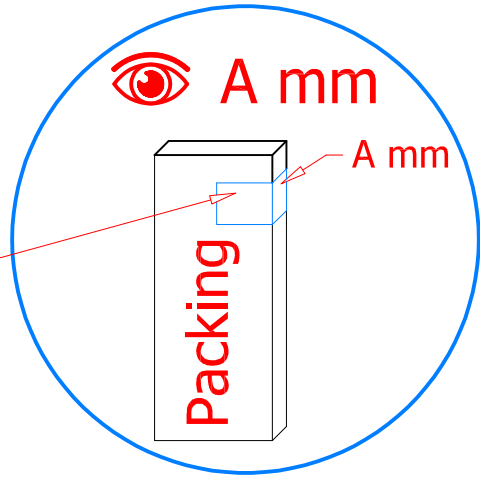
 1 x 11221	 3 x 14001 4.2X38mm	 3 X 14321
 3 x 16000 ø 6mm	 2 X 14018 3.5X13mm	 51364.XX
	 17218	 17156 - 5mm
	 2 X 54164.XX	 3X 51278.XX

SM.CA.XX	
 51625.XX	 51624.XX
 51253.XX	 51254.XX
 51348.XX	 51576.XX

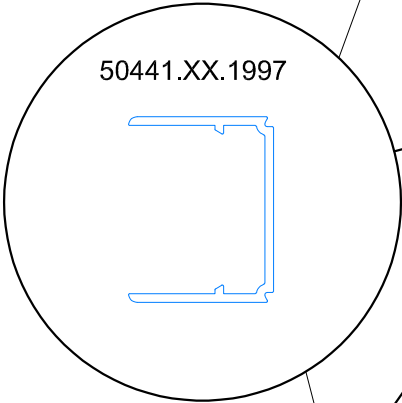




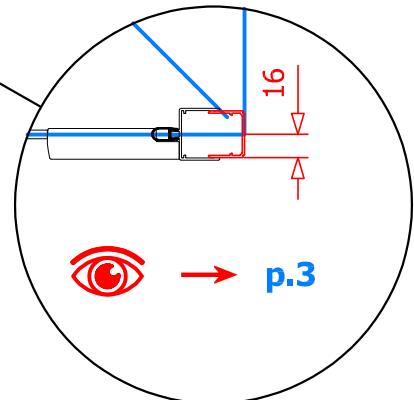
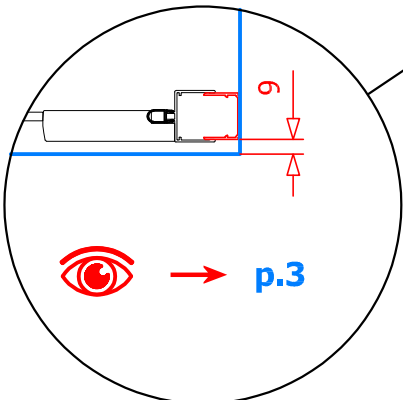
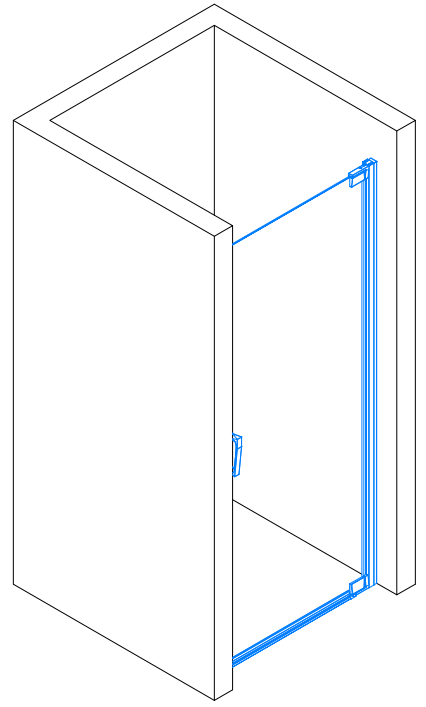
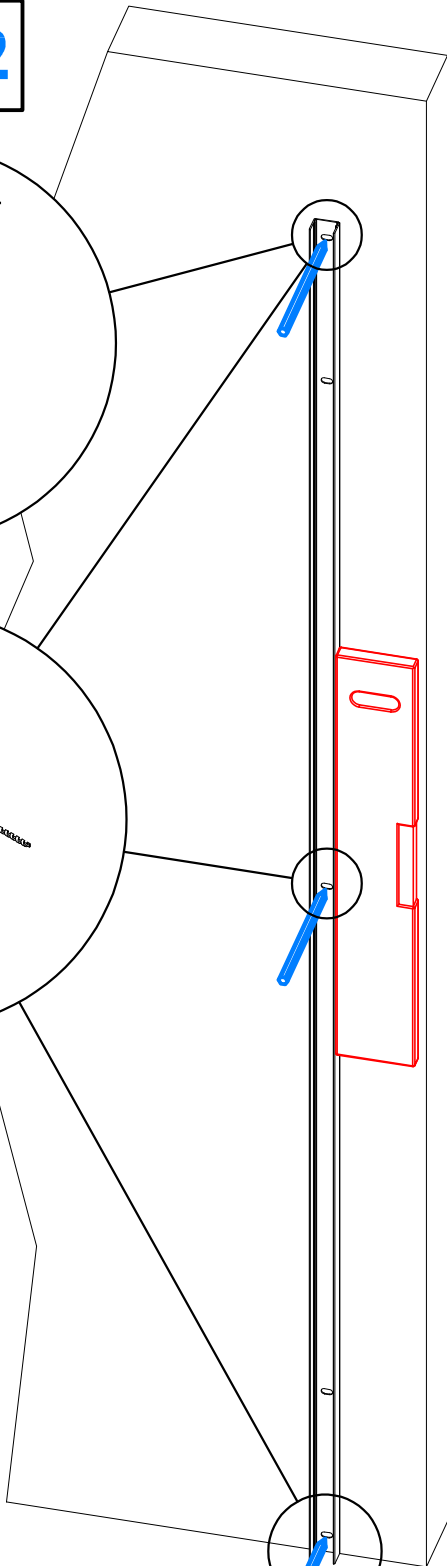
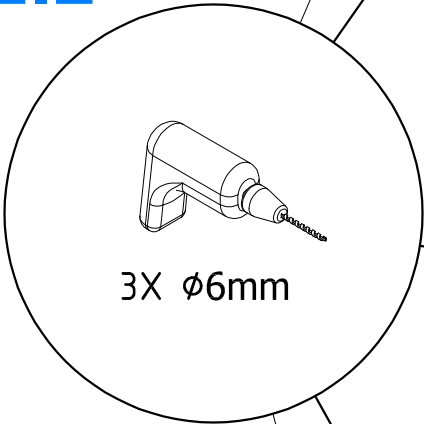
CA1C D → A mm = (-25/+0)
 CA1C D **SM** → A mm = (-10/+15)



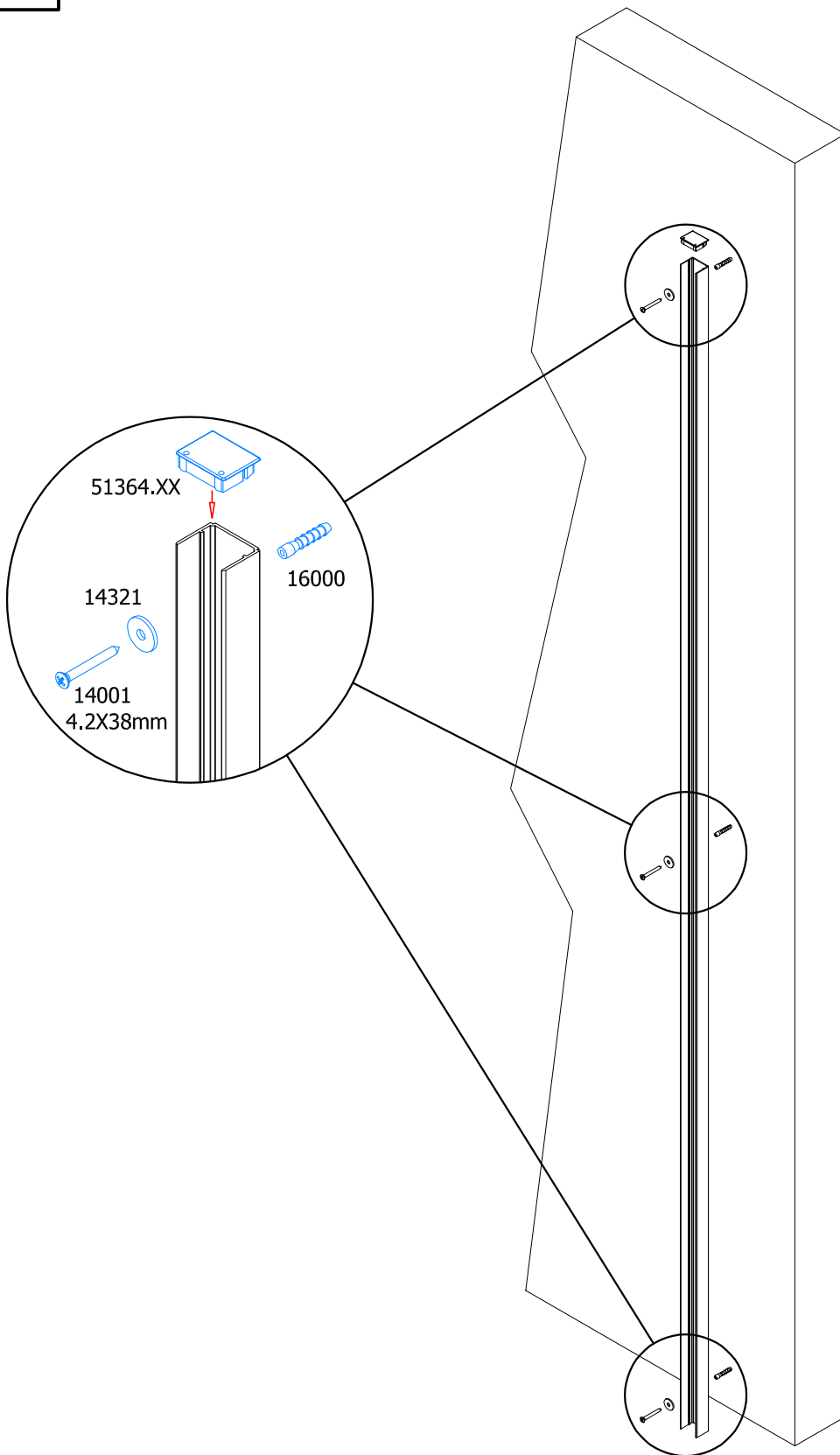
1.1 → 1.2



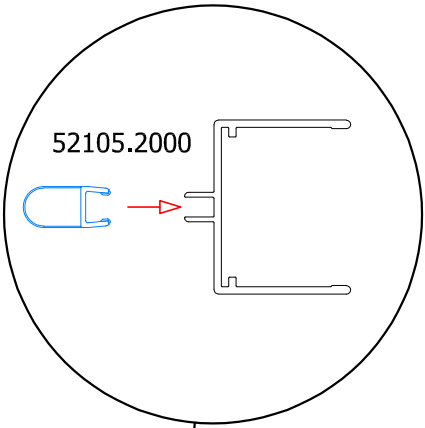
1.2



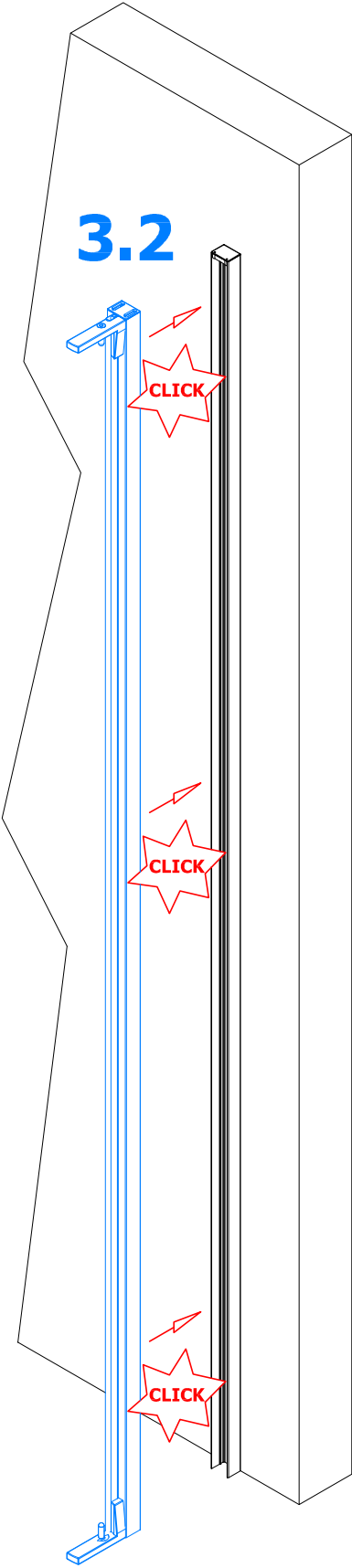
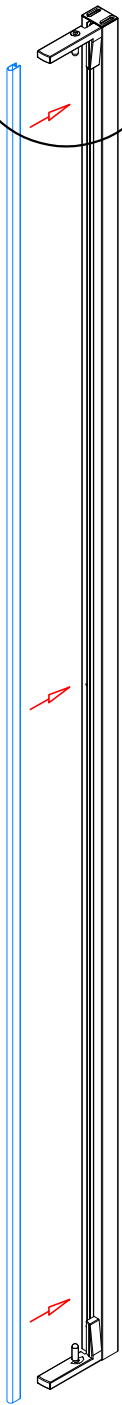
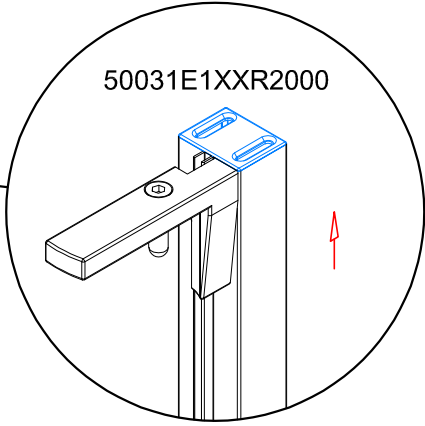
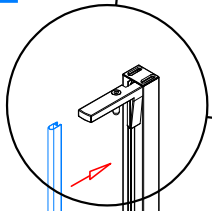
2.



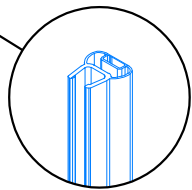
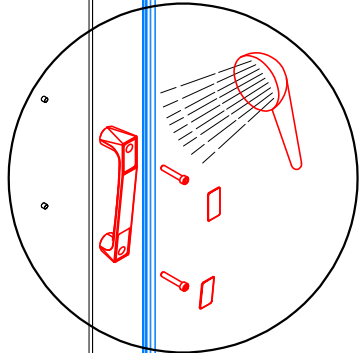
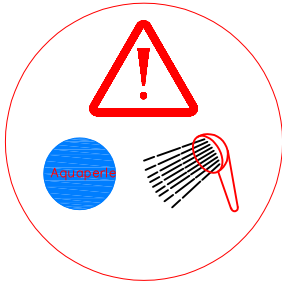
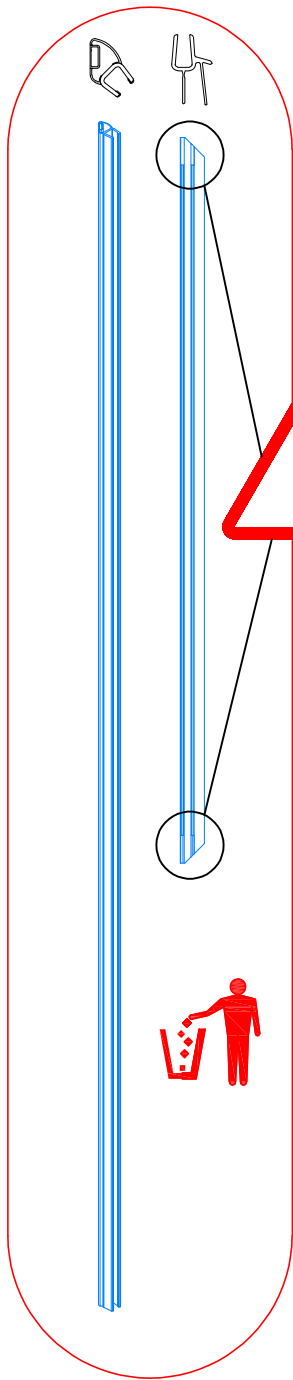
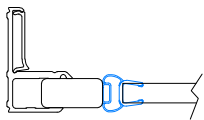
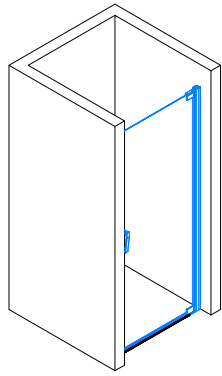
3.1 → 3.2



3.1



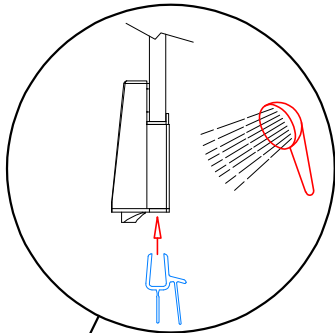
4.1 → 4.5



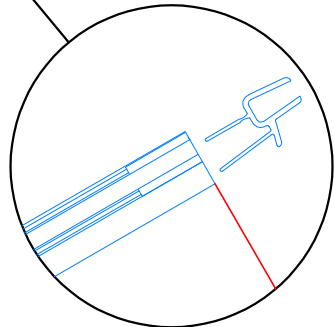
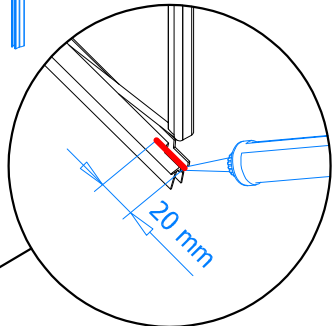
4.3

4.5

4.2



4.4



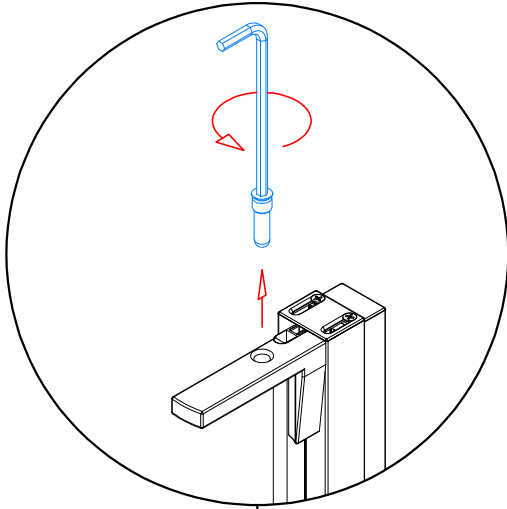
4.1

"X"

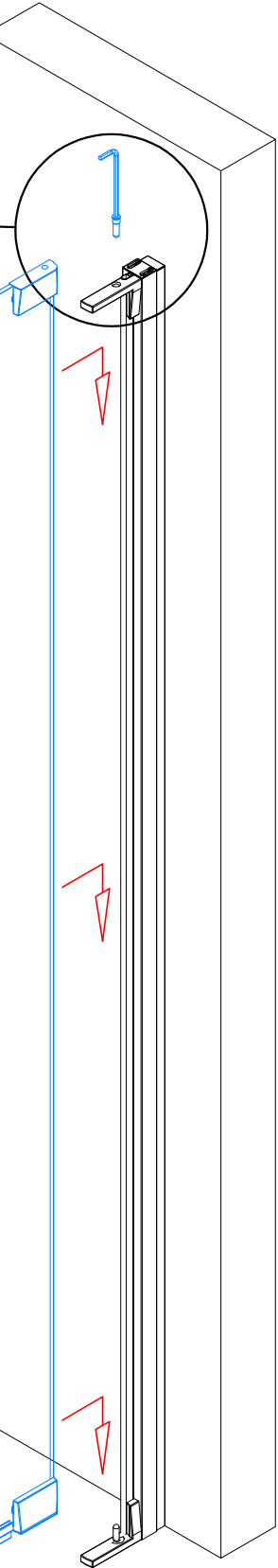
"X" + 7mm

5.1

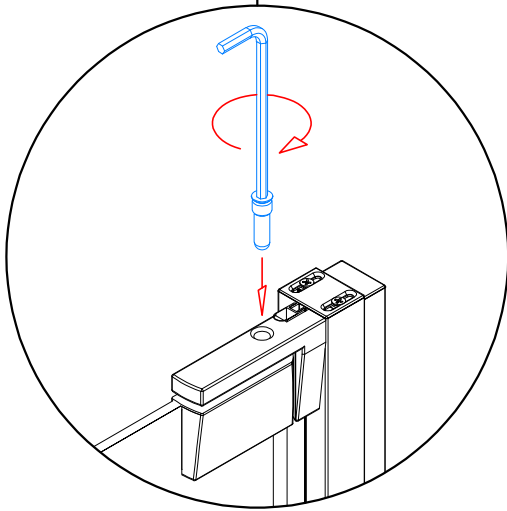
5.1 → 5.3



5.2

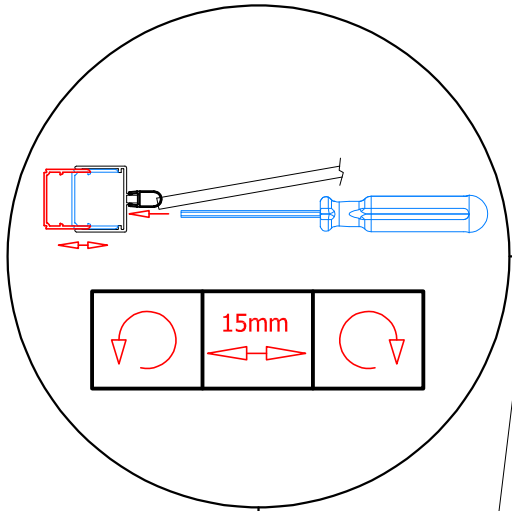


5.3

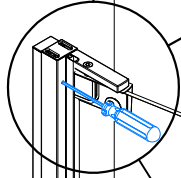
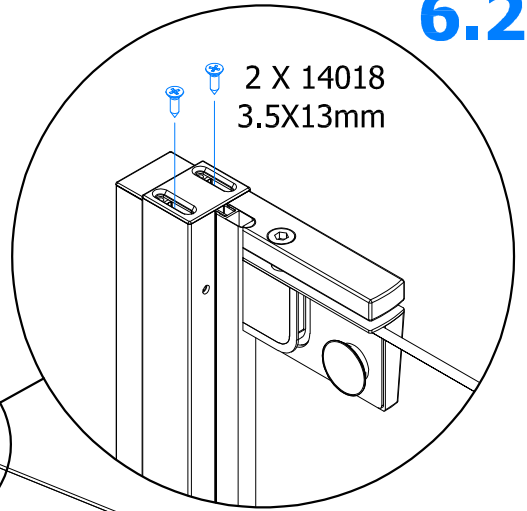


6.1 → 6.3

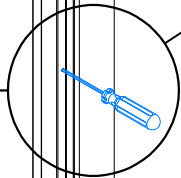
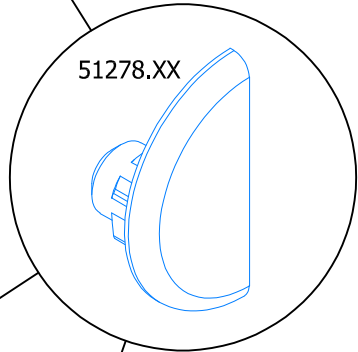
6.2



6.1

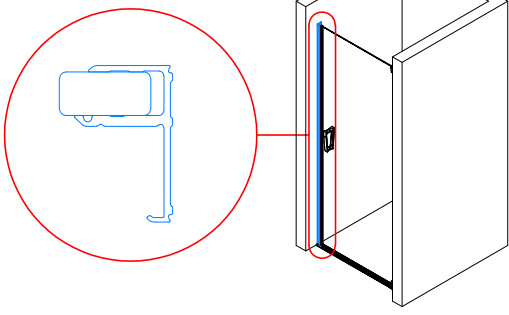


6.3

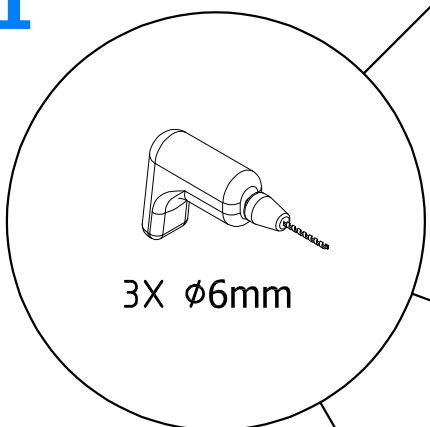


V2.CA.XX

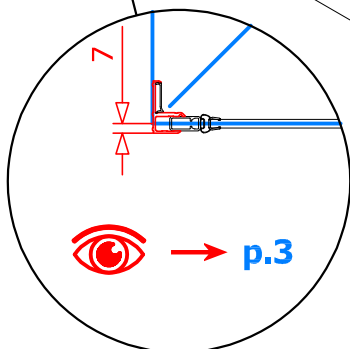
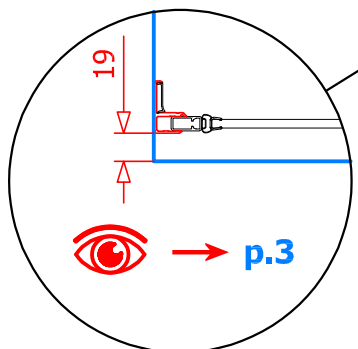
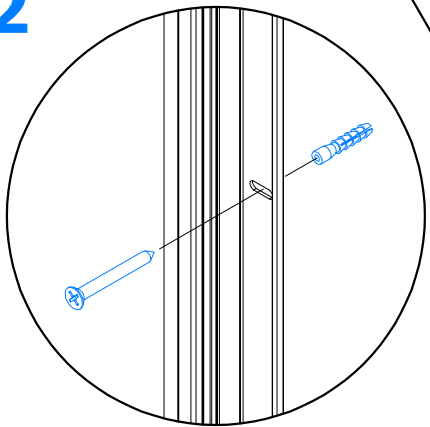
7.1 → 7.2



7.1



7.2



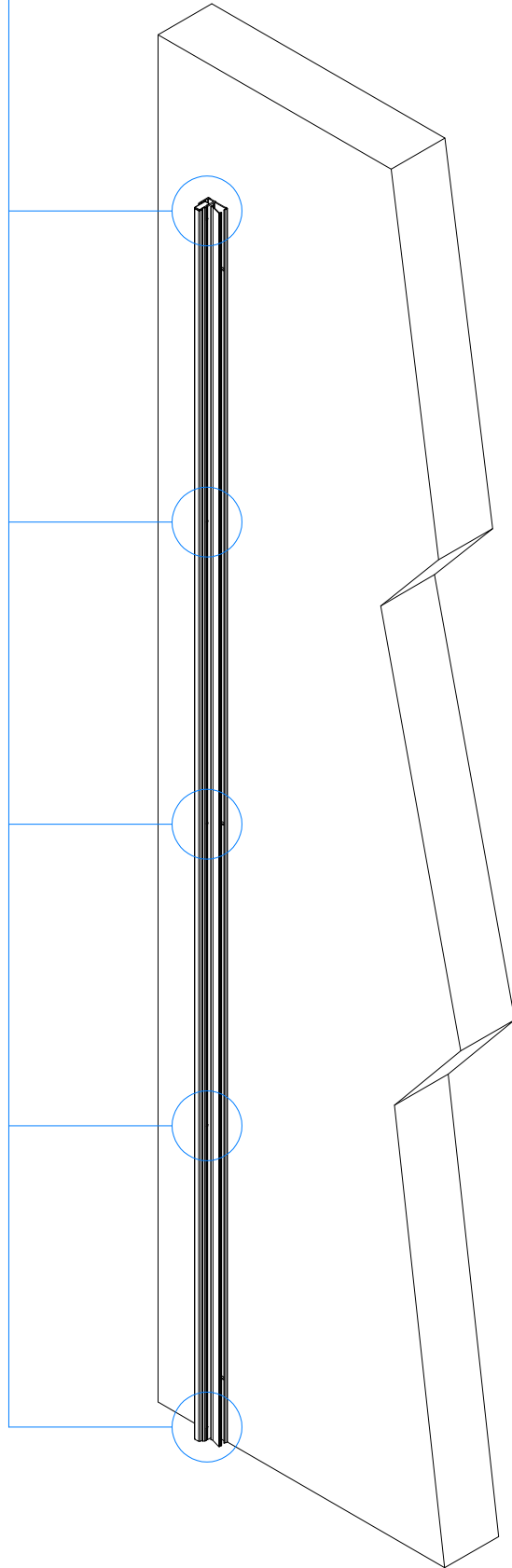
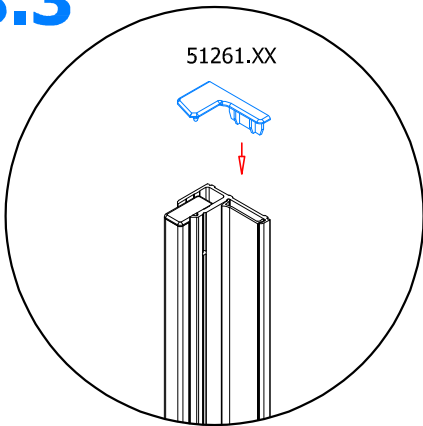
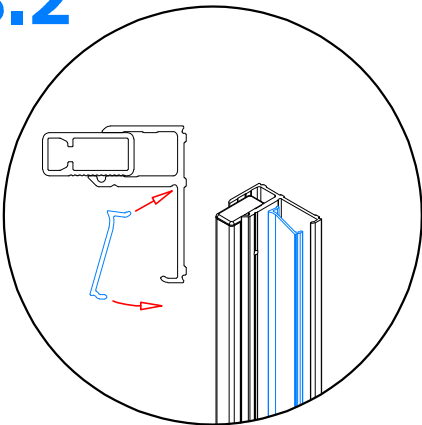
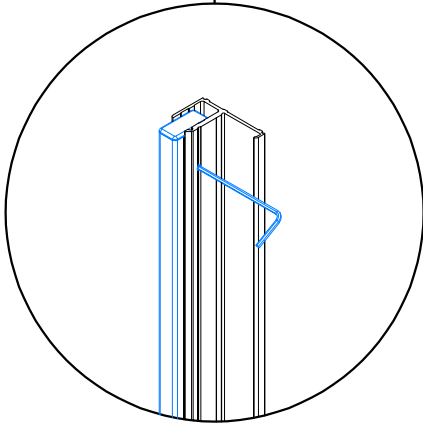
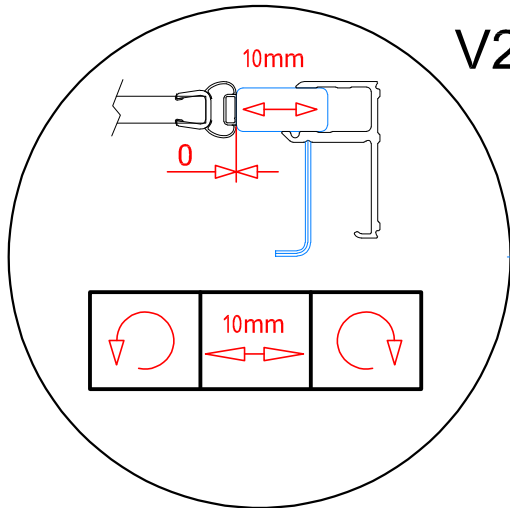
V2.CA.XX

8.1 → 8.3

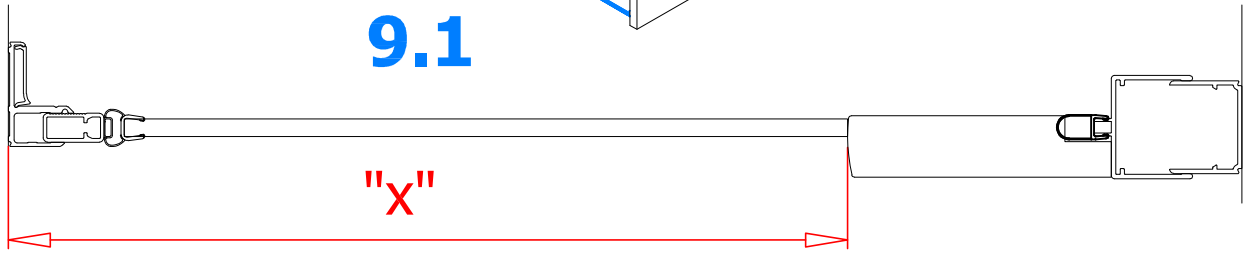
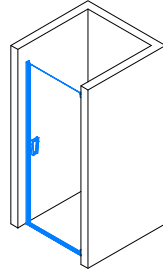
8.1

8.2

8.3

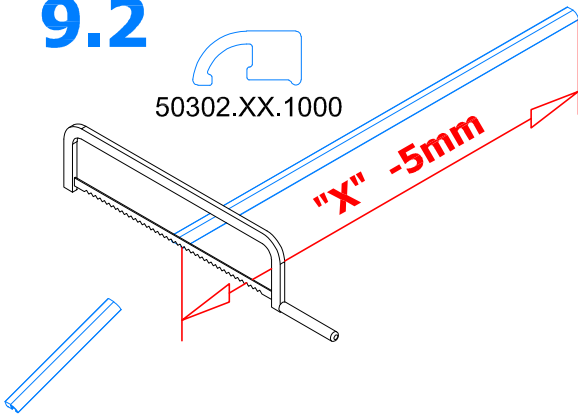


9.1 → 9.6

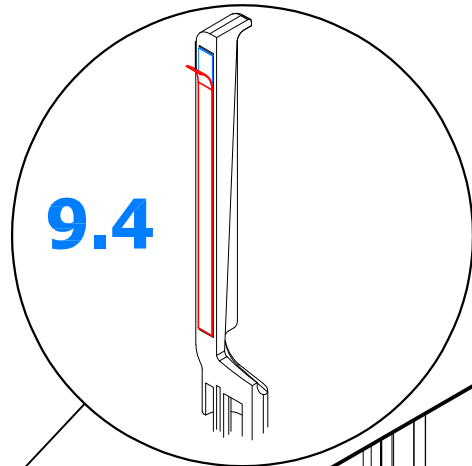


9.2

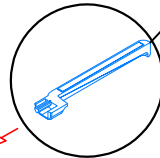
50302.XX.1000



9.4

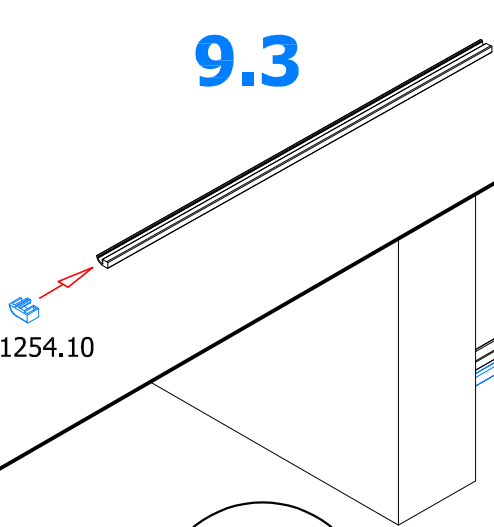


51625.XX



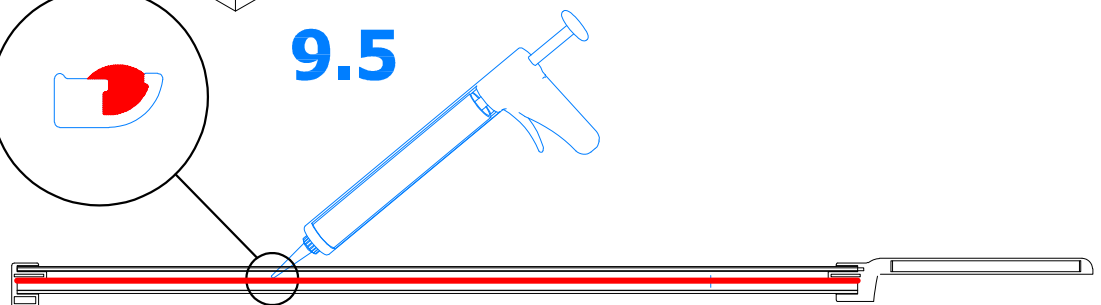
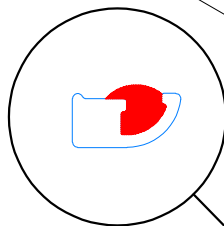
9.3

51254.10

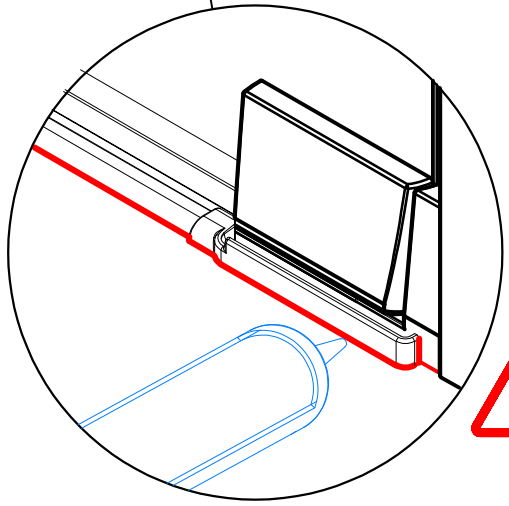
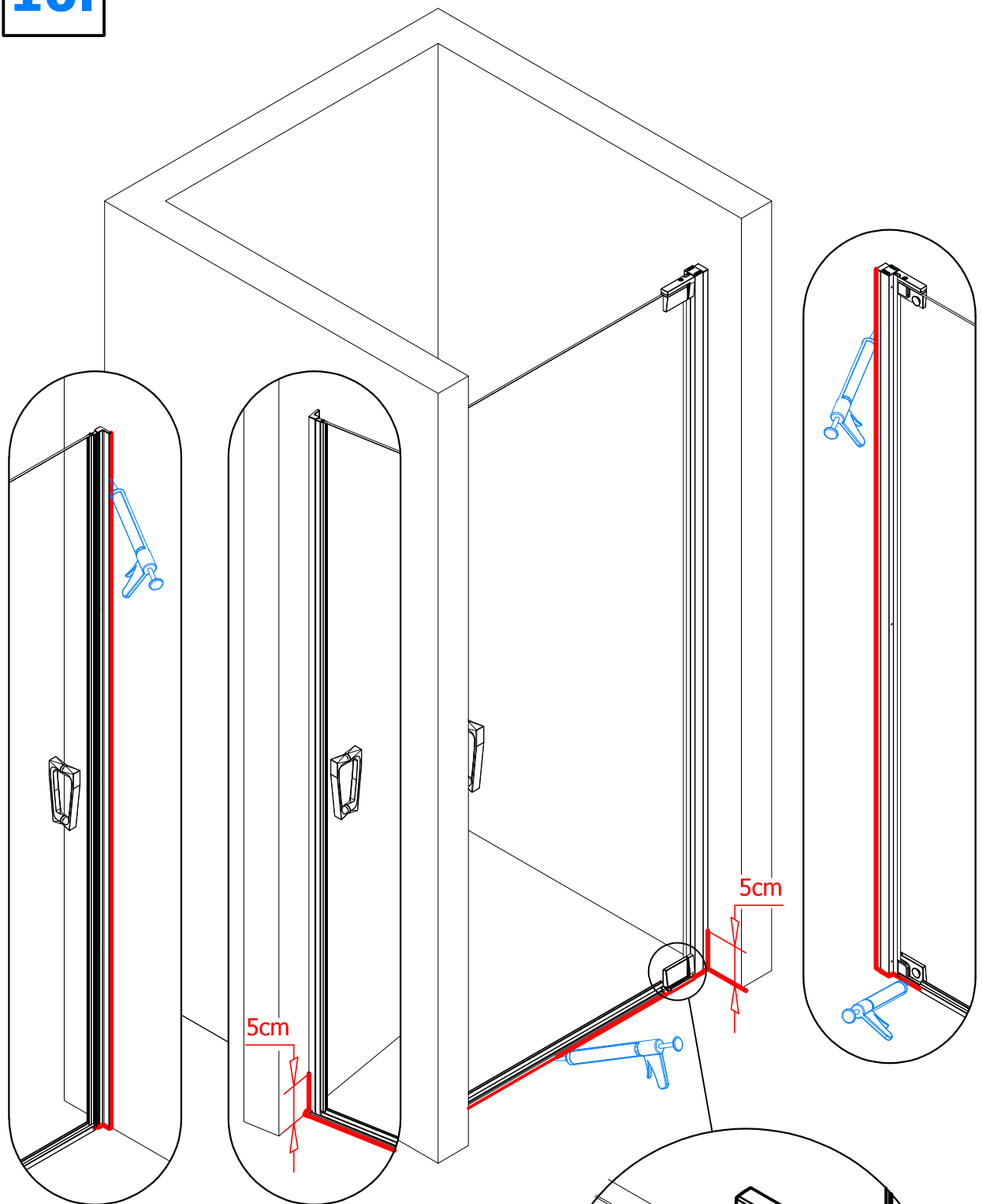


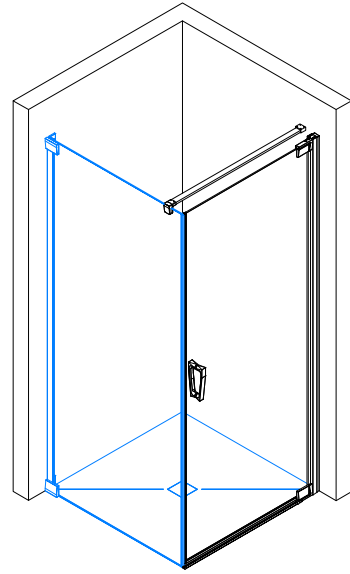
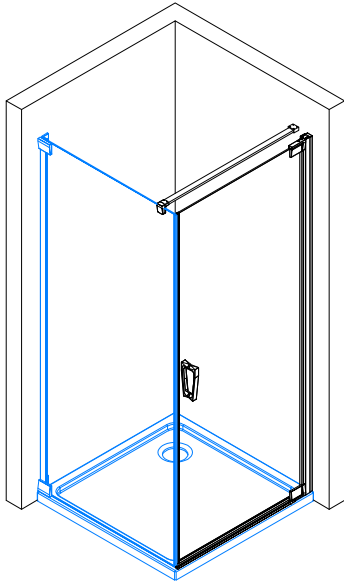
9.6

9.5

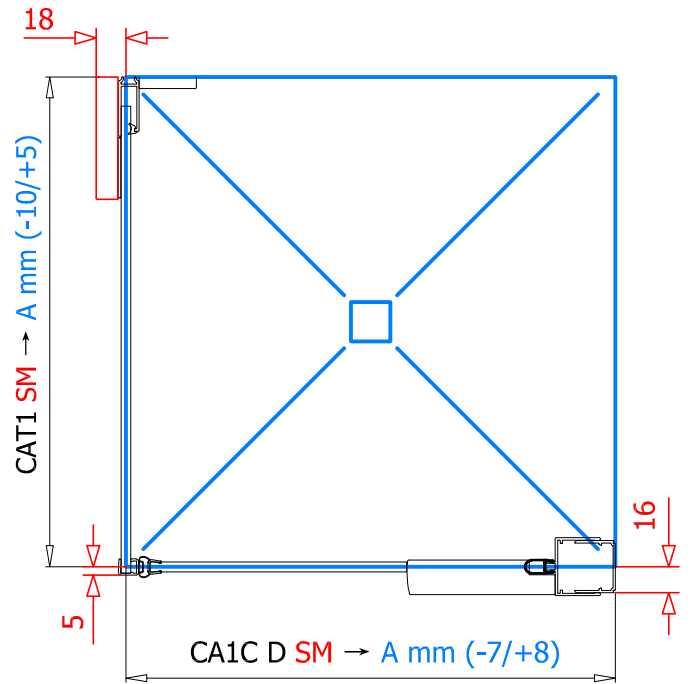
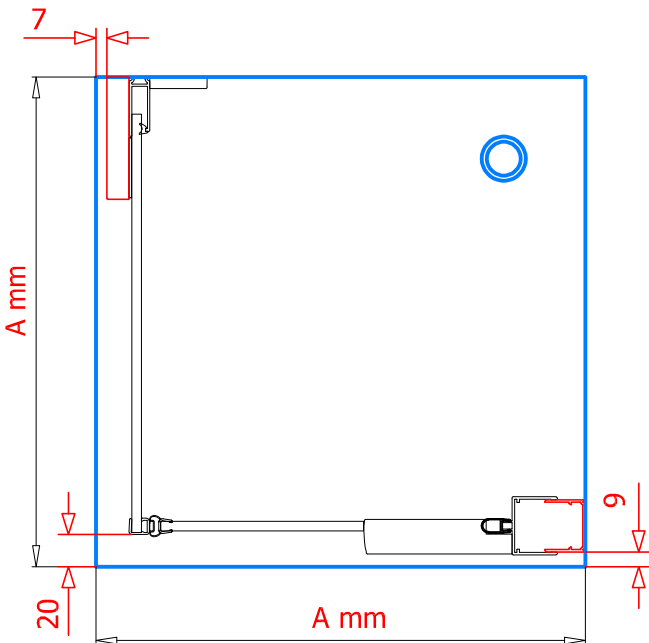
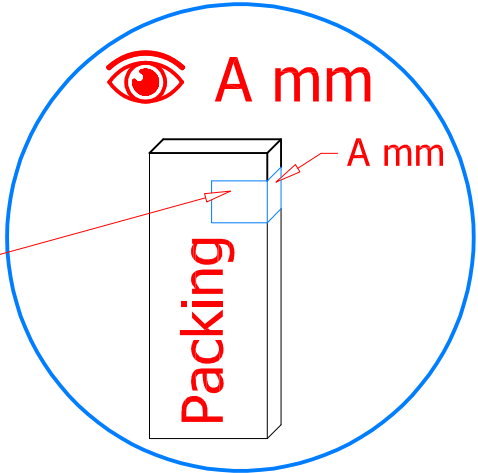


10.



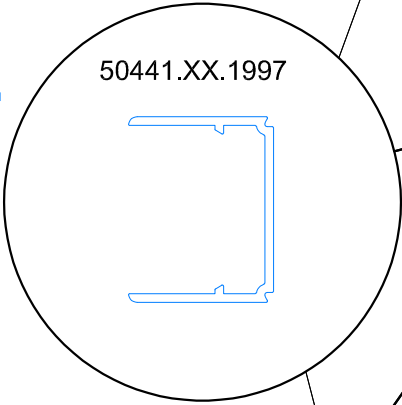


- CA1C D → A mm = (-15/+0)
- CAT1 → A mm = (-15/+0)
- CA1C D SM → A mm = (-7/+8)
- CAT1 SM → A mm = (-10/+5)

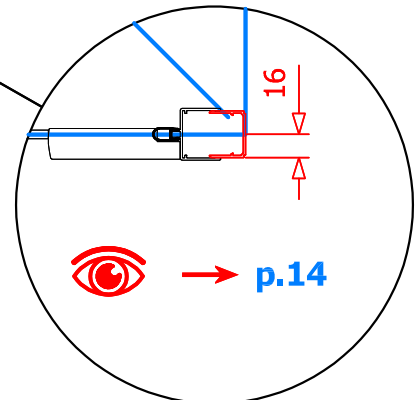
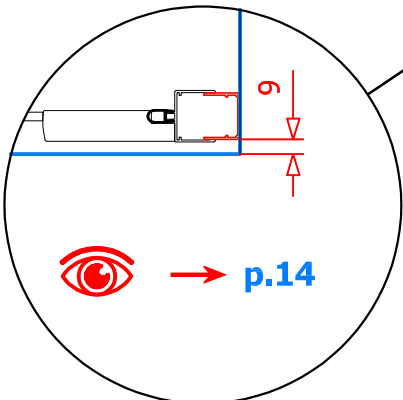
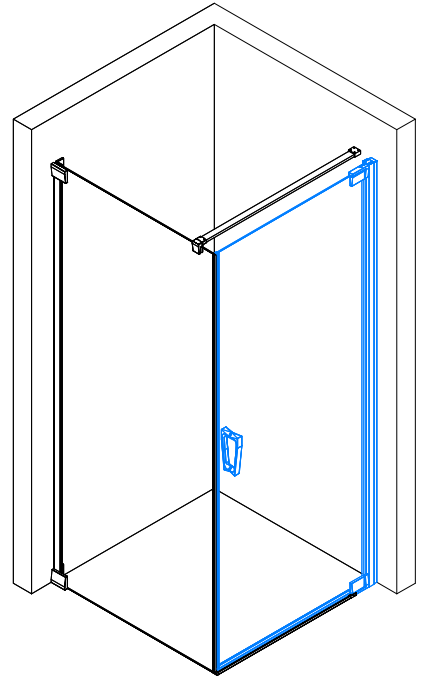
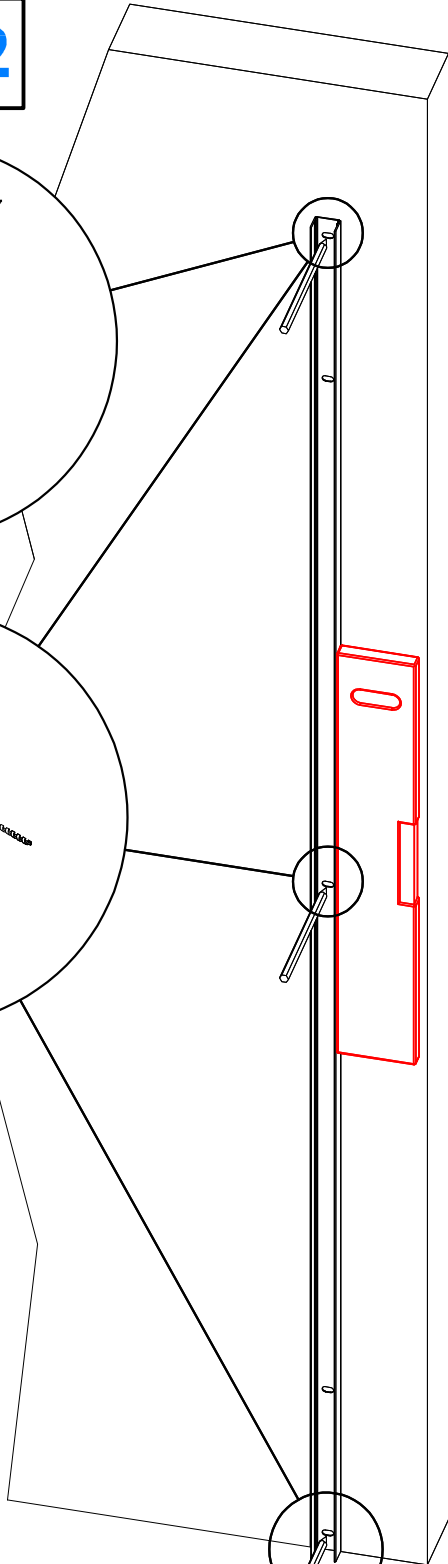
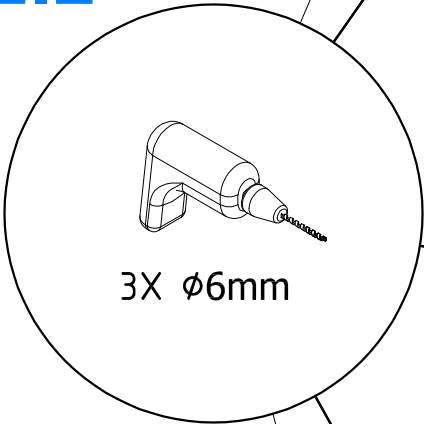


1.1 → 1.2

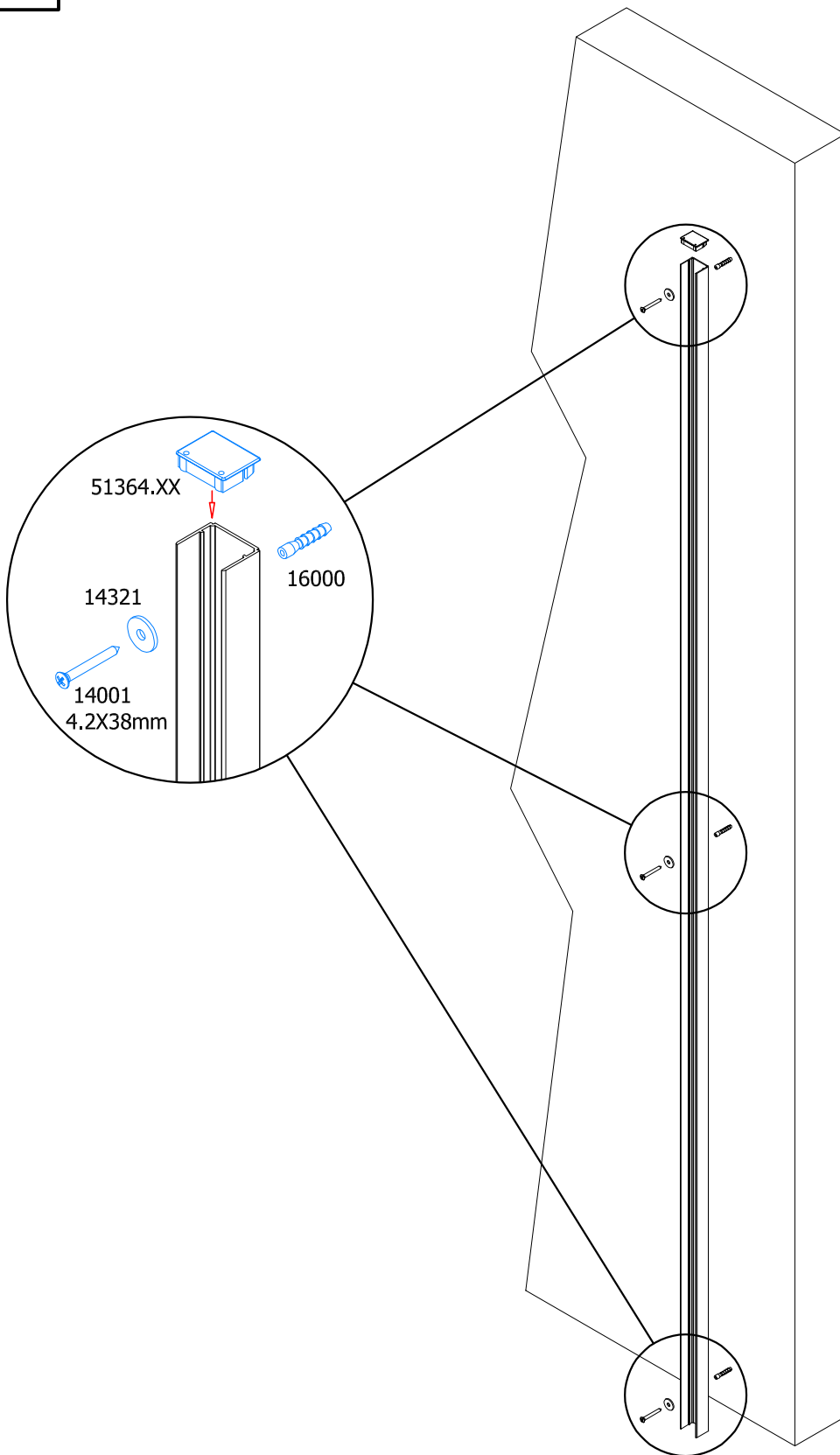
1.1



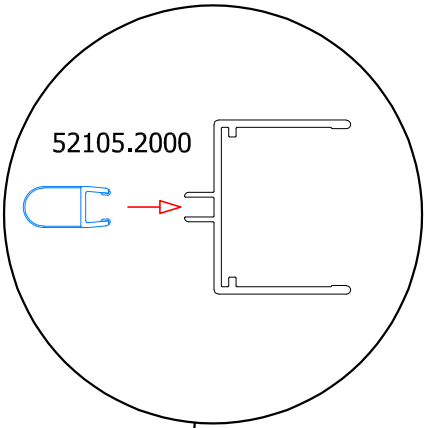
1.2



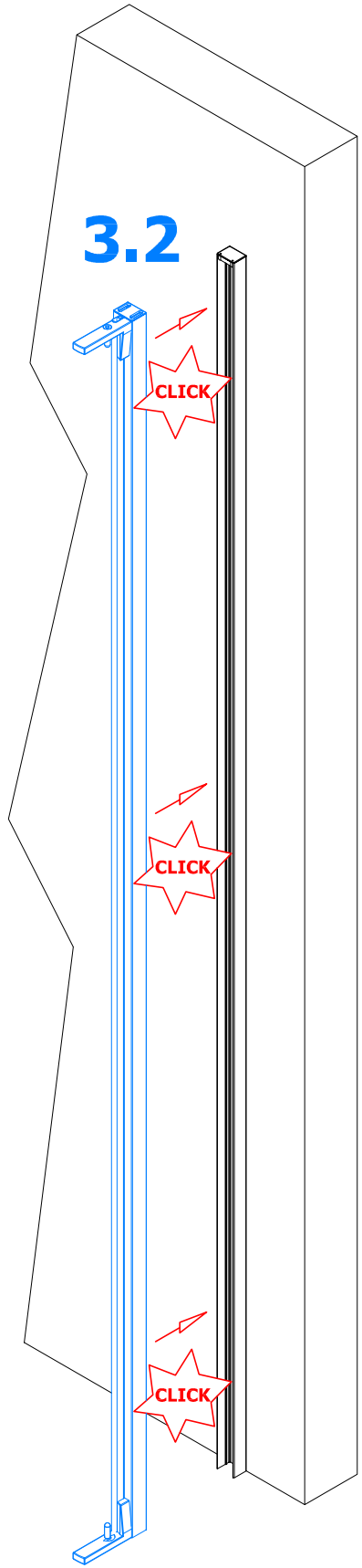
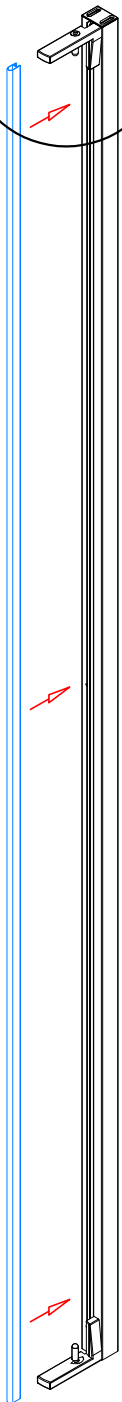
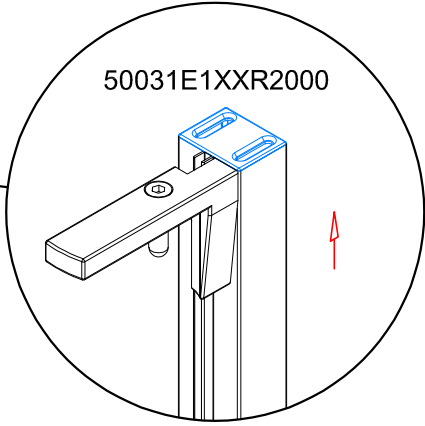
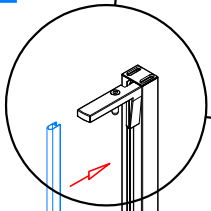
2.



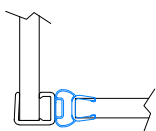
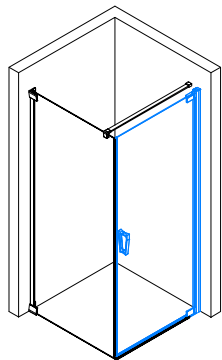
3.1 → 3.2



3.1



4.1 → 4.5



4.3

4.5

4.2

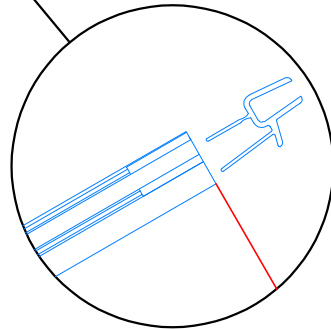
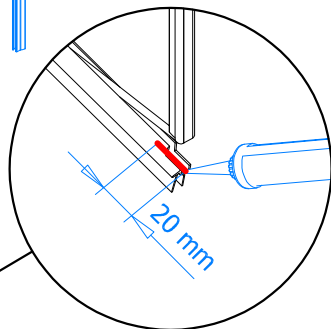
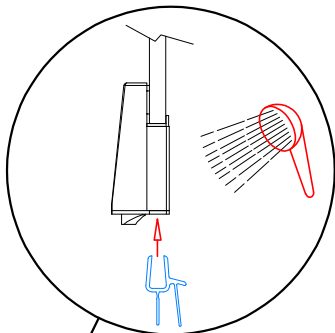
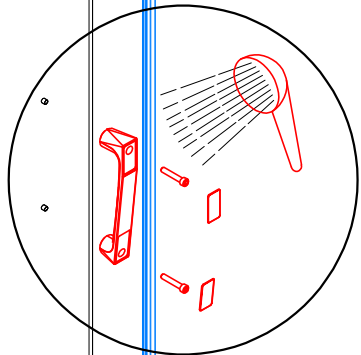
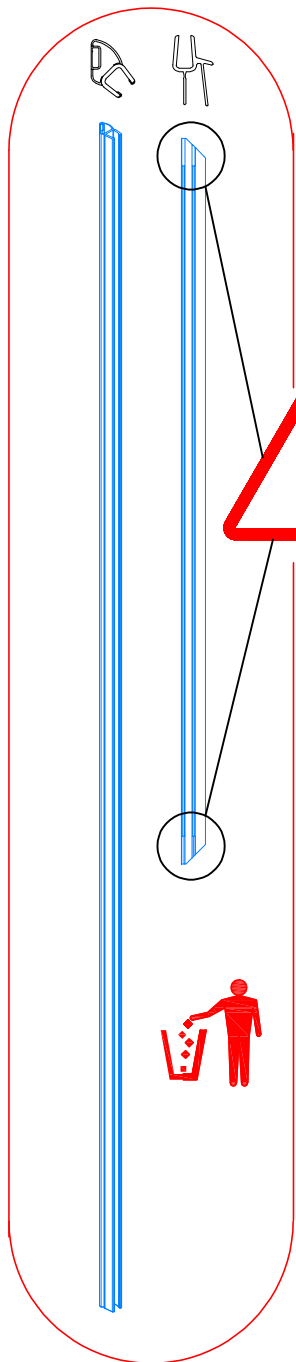
4.4

4.1

"X"

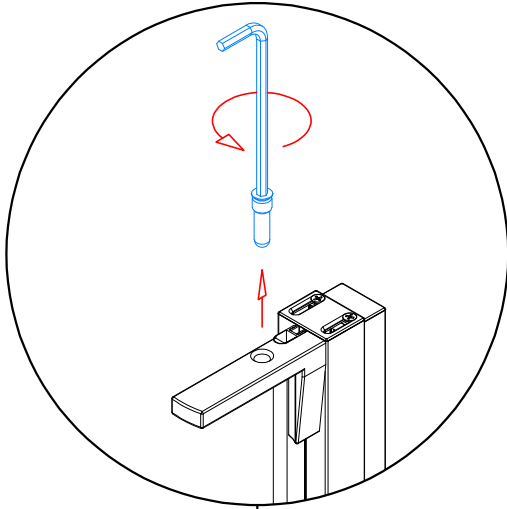
"X" + 7mm

20 mm

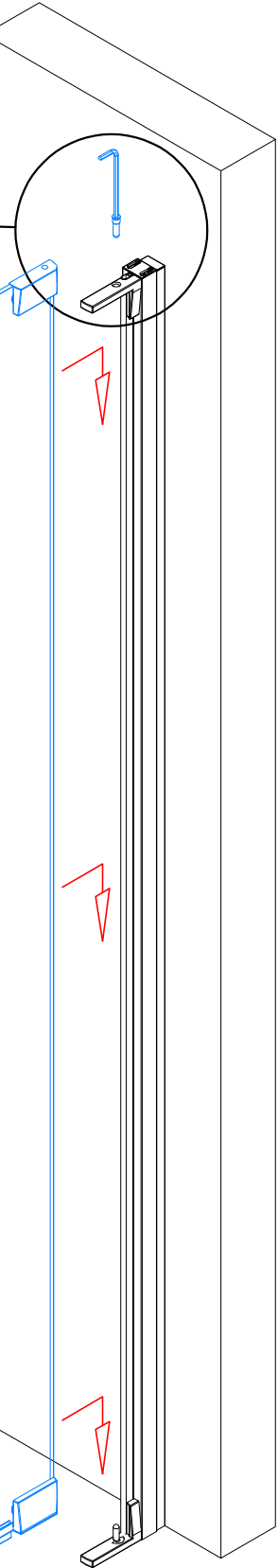


5.1

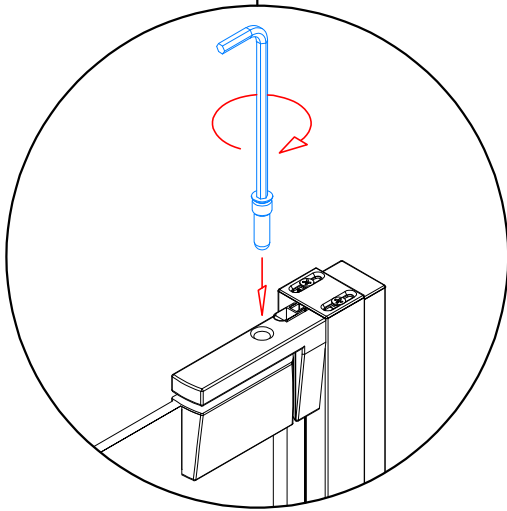
5.1 → 5.3



5.2

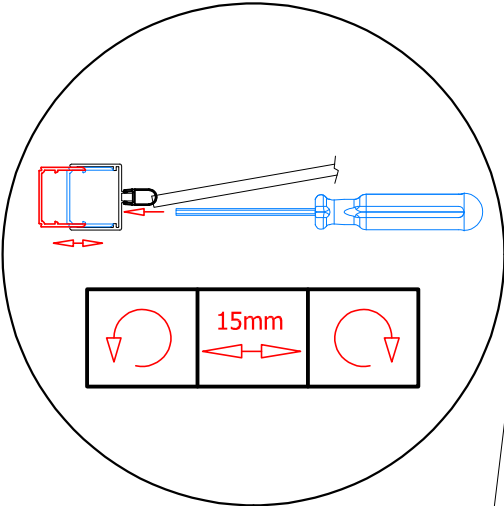


5.3

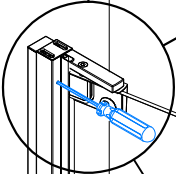
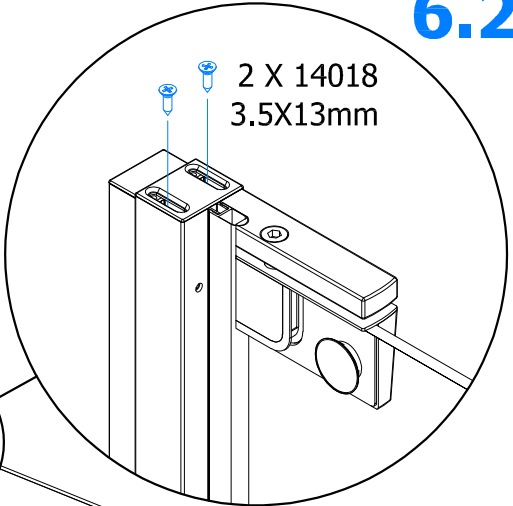


6.1 → 6.3

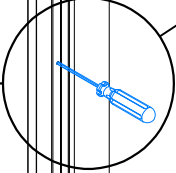
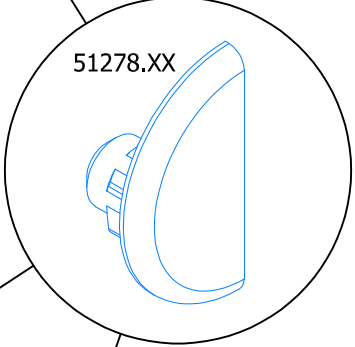
6.2



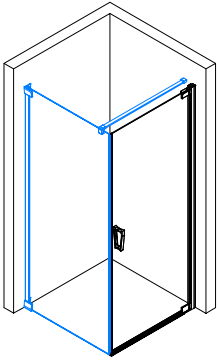
6.1



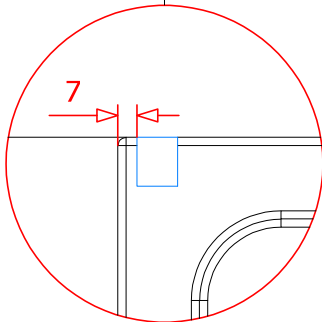
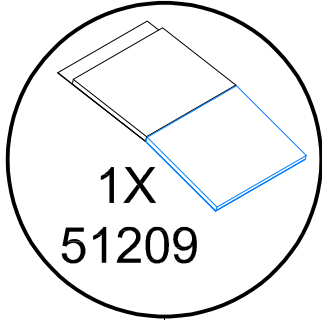
6.3



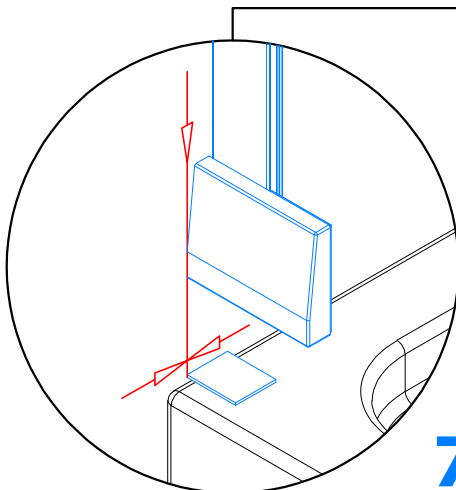
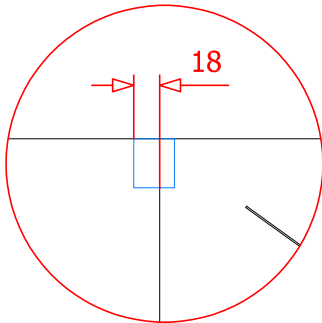
7.1 → 7.4



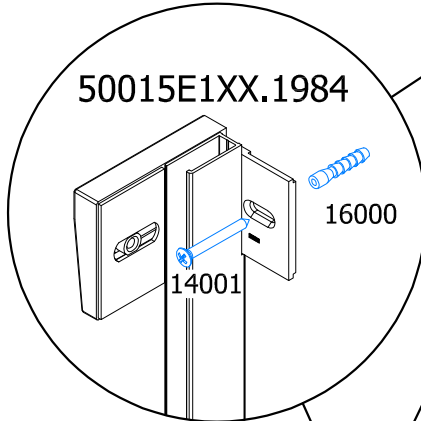
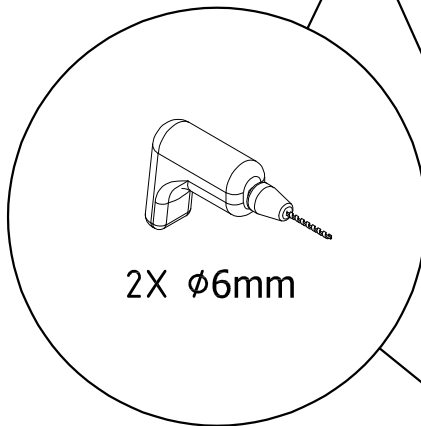
7.1



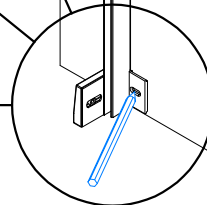
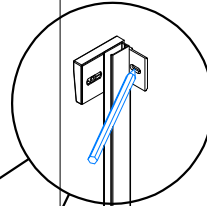
 → p.15



7.3



7.4



7.2

8.2

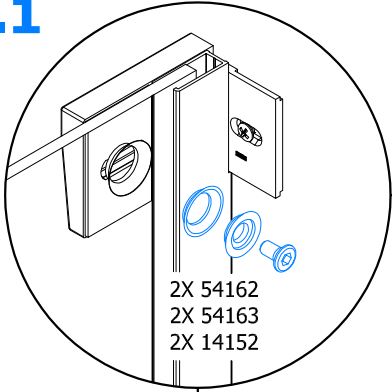
8.1 → 8.2



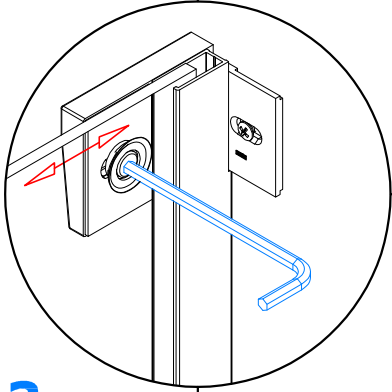
8.1

1X
51209

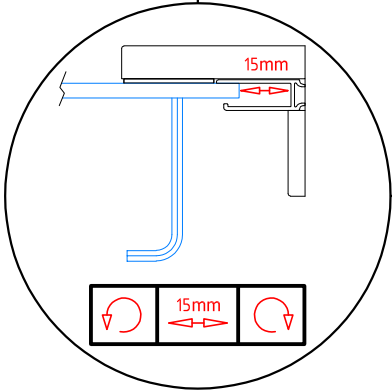
9.1



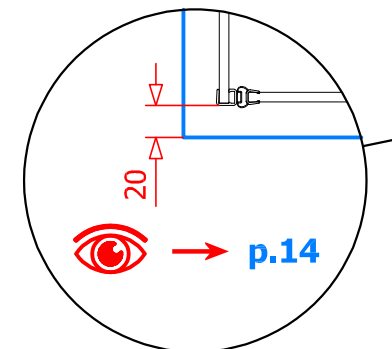
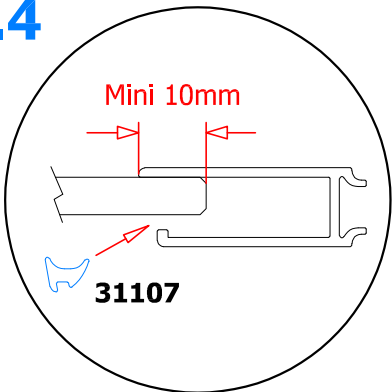
9.1 → 9.4



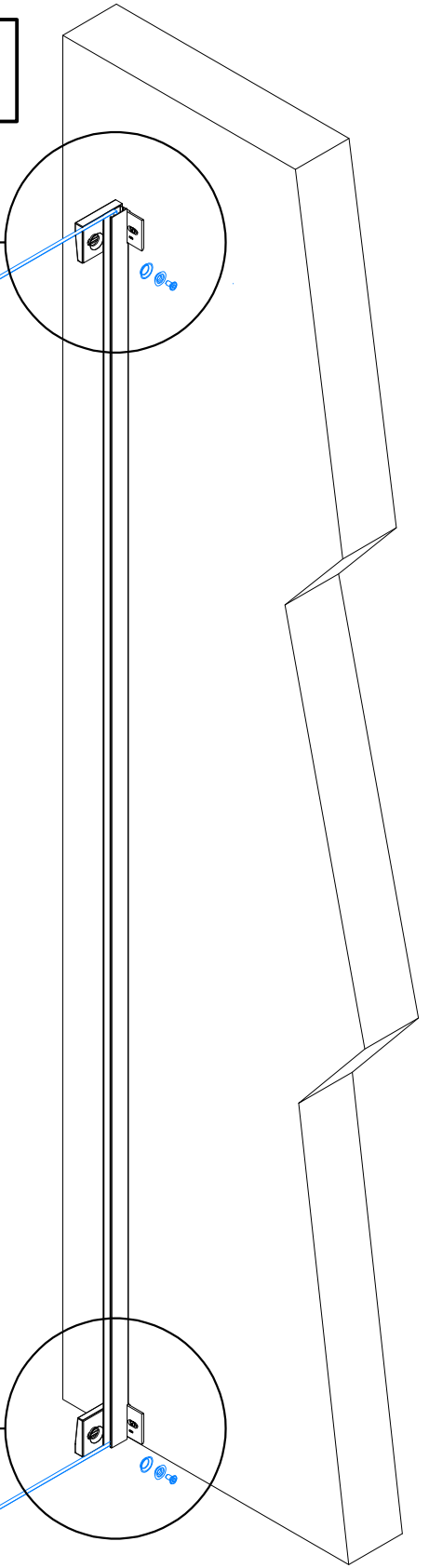
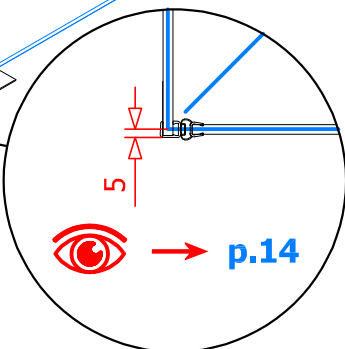
9.3



9.4

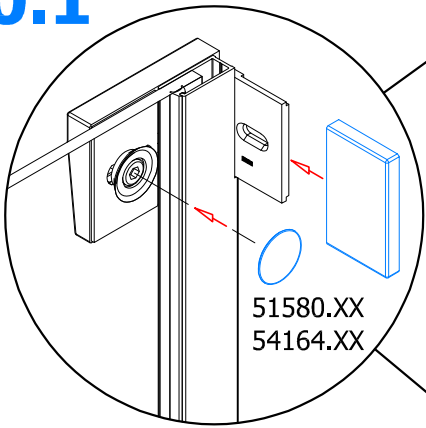


9.2

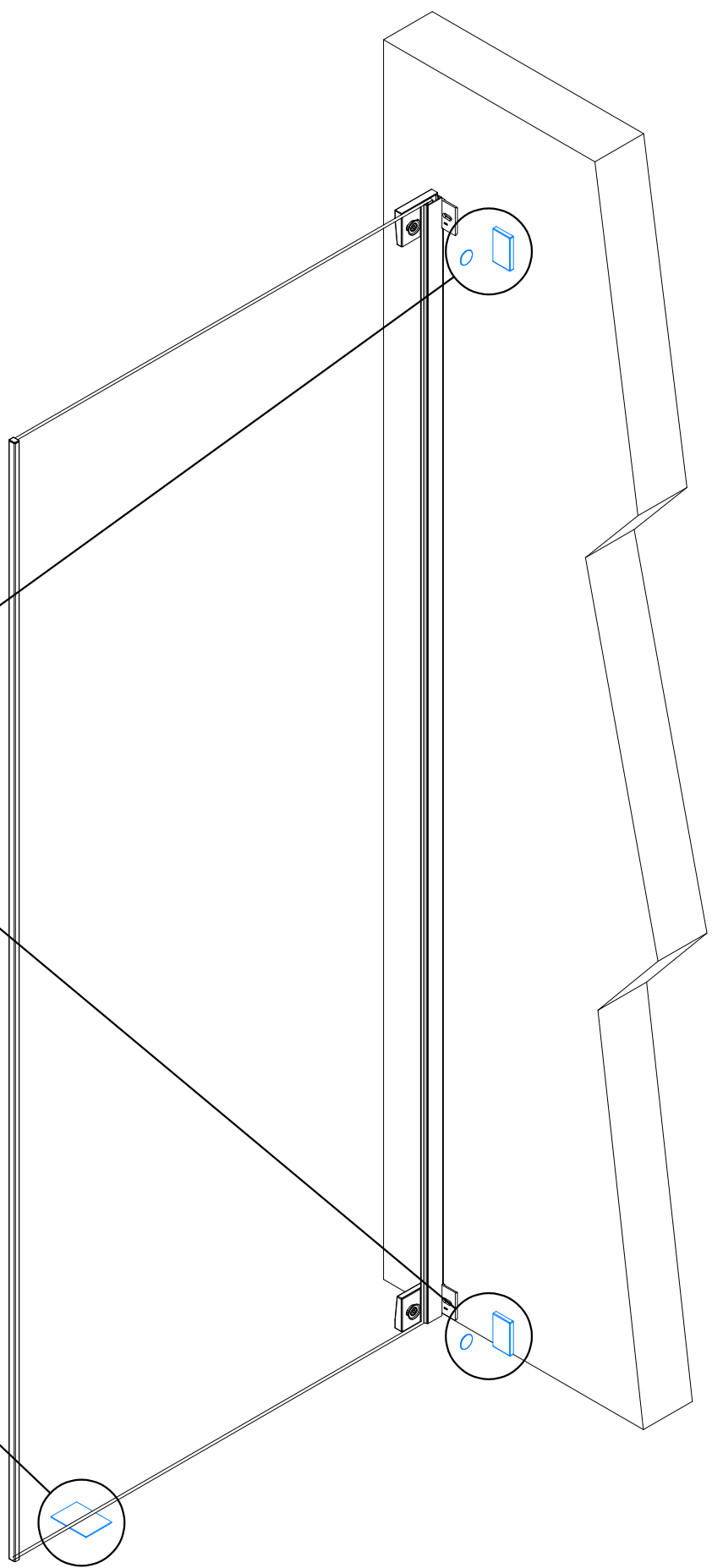
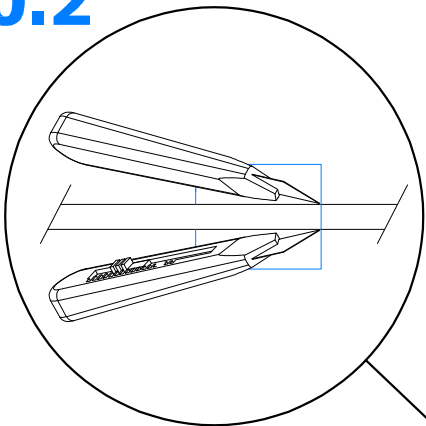


10.1 → 10.2

10.1

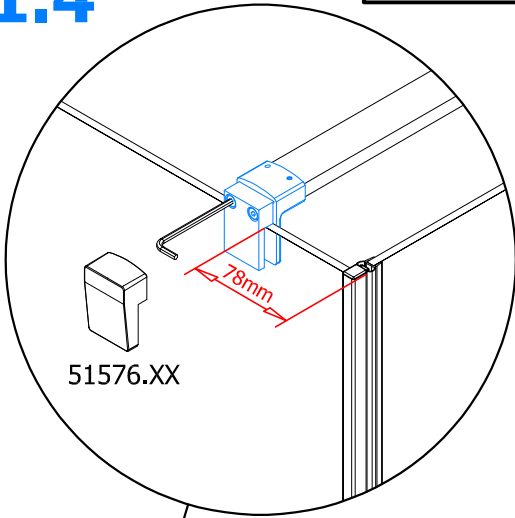


10.2

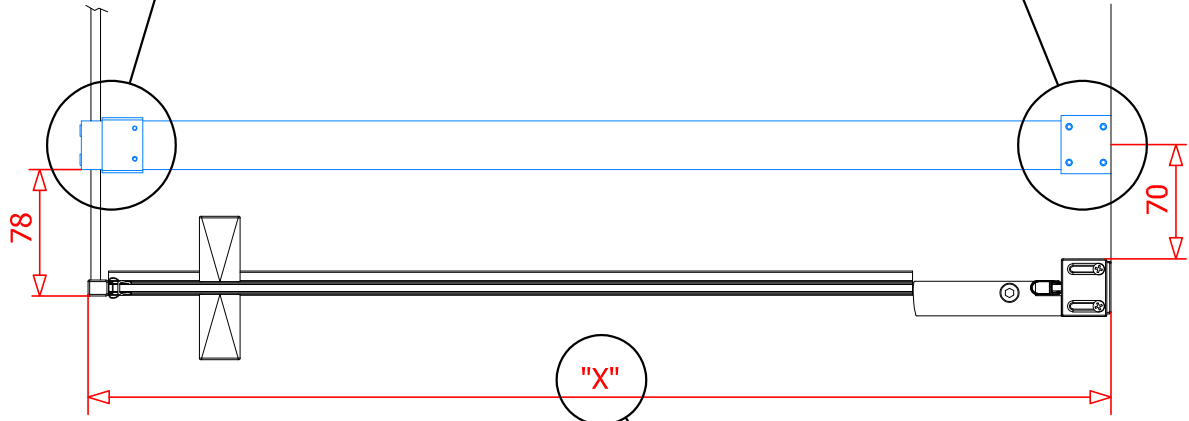
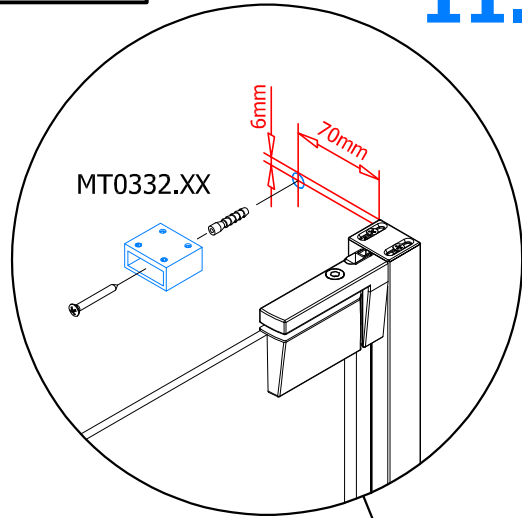


11.1 → 11.4

11.4

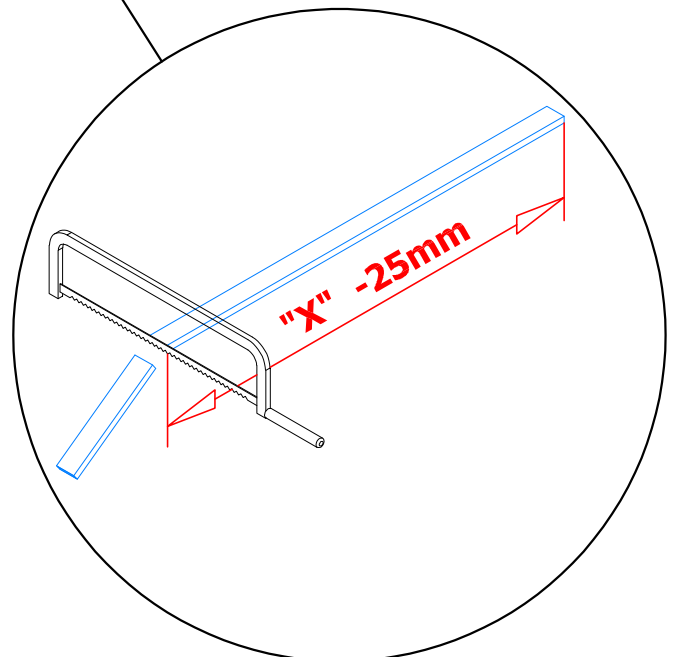
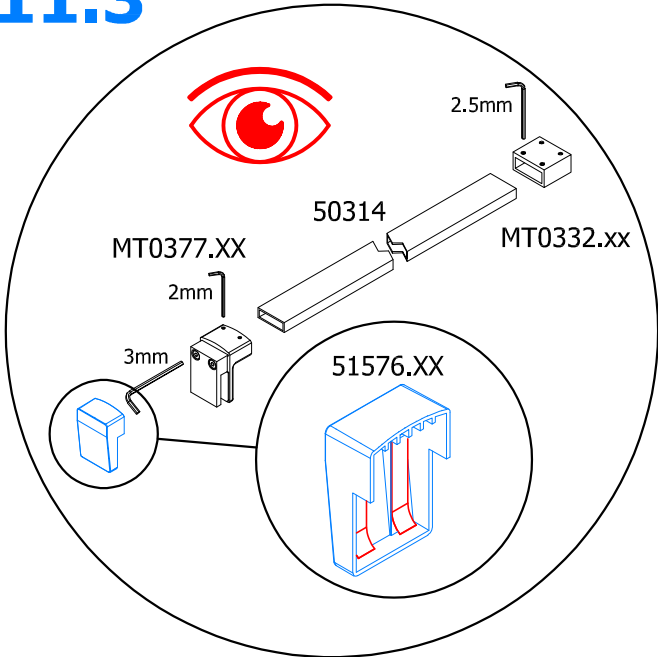


11.1

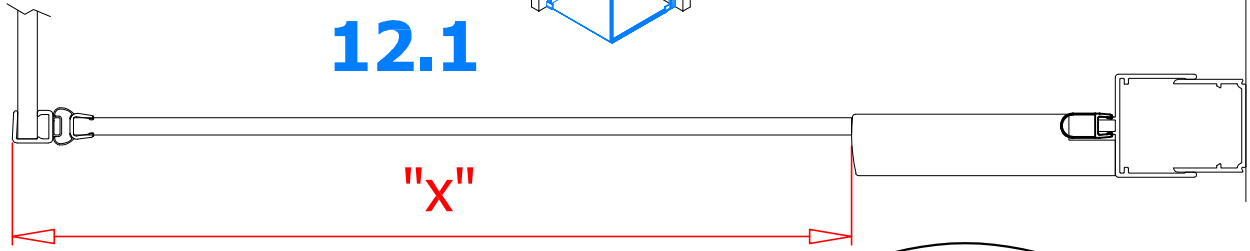
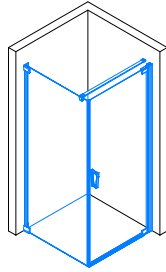


11.2

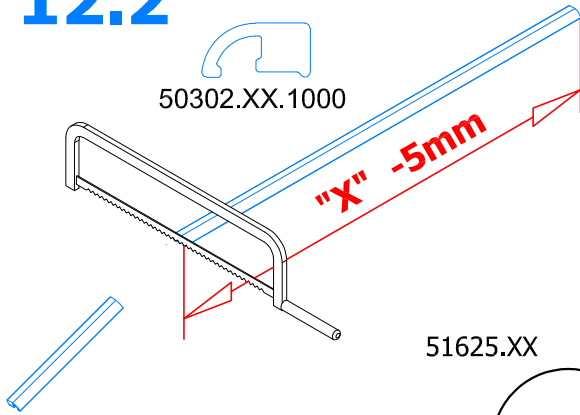
11.3



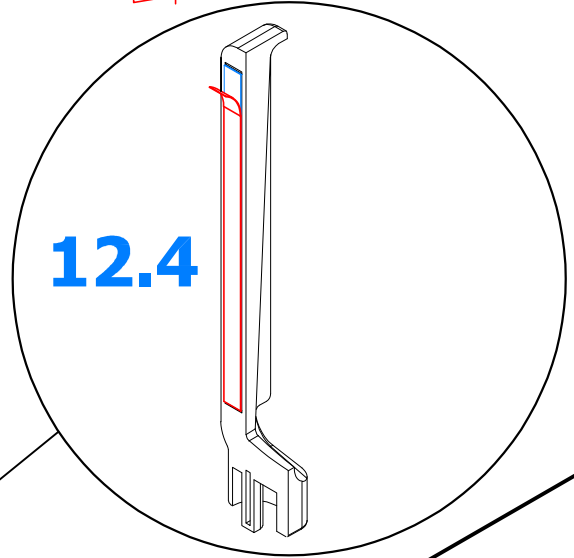
12.1 → 12.6



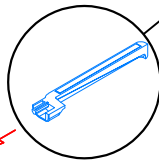
12.2



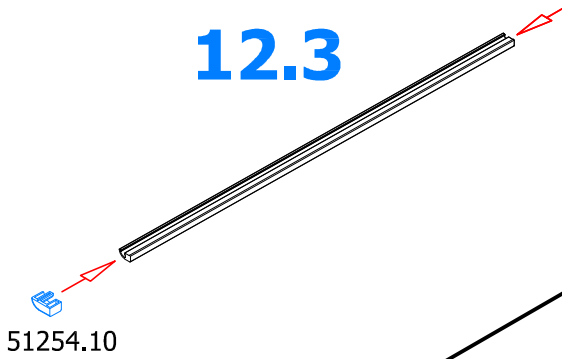
12.4



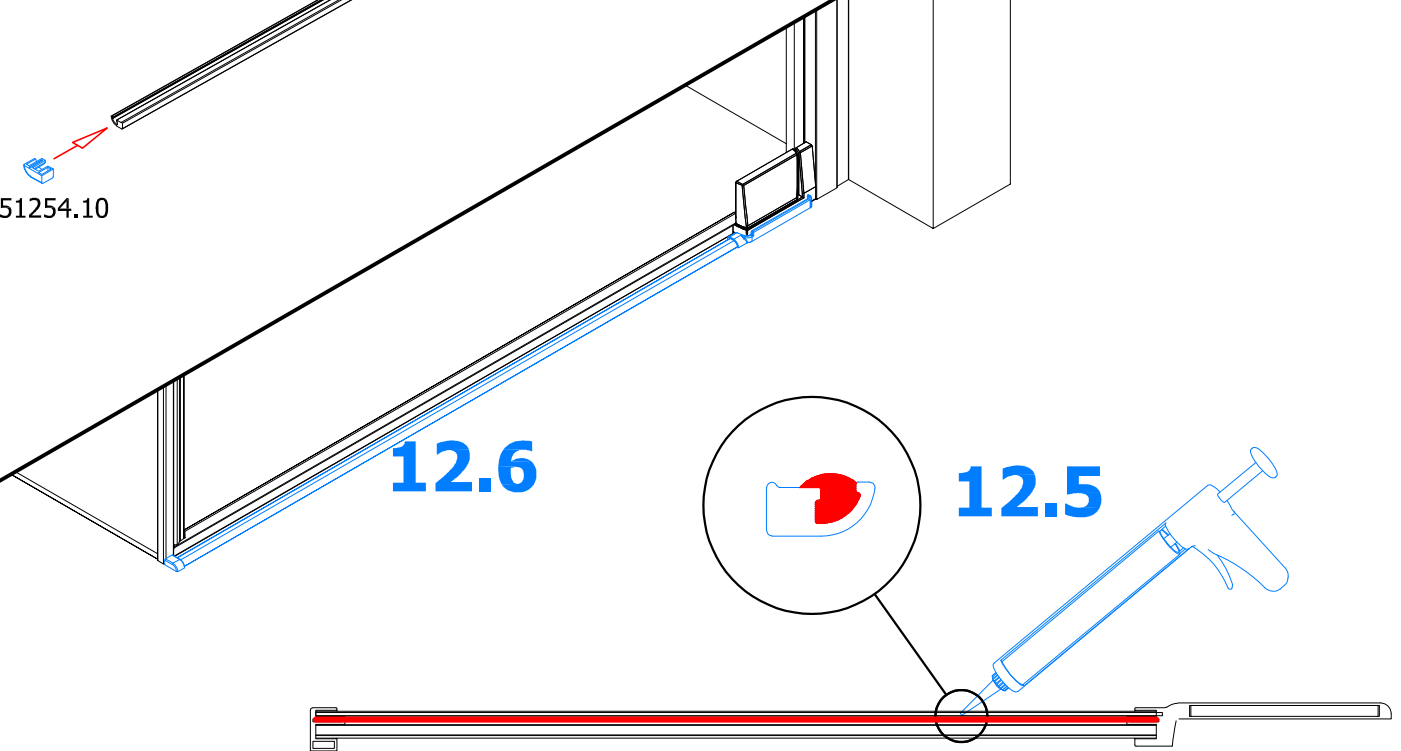
51625.XX



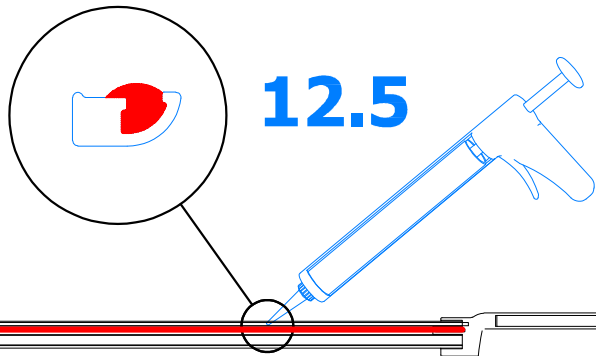
12.3



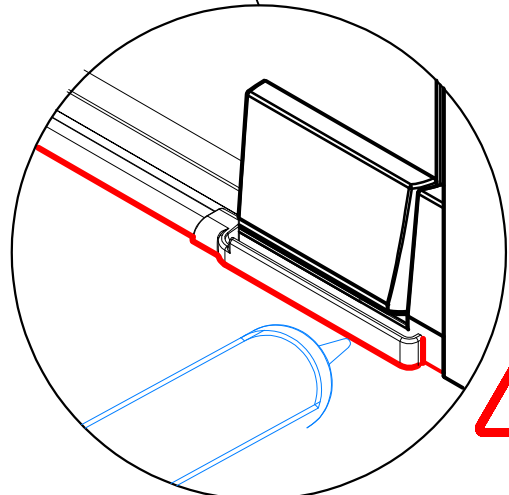
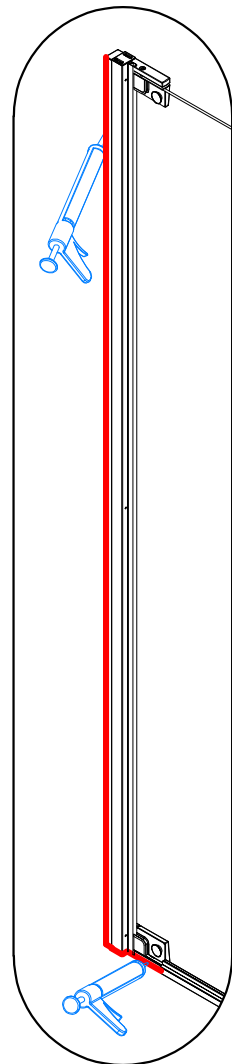
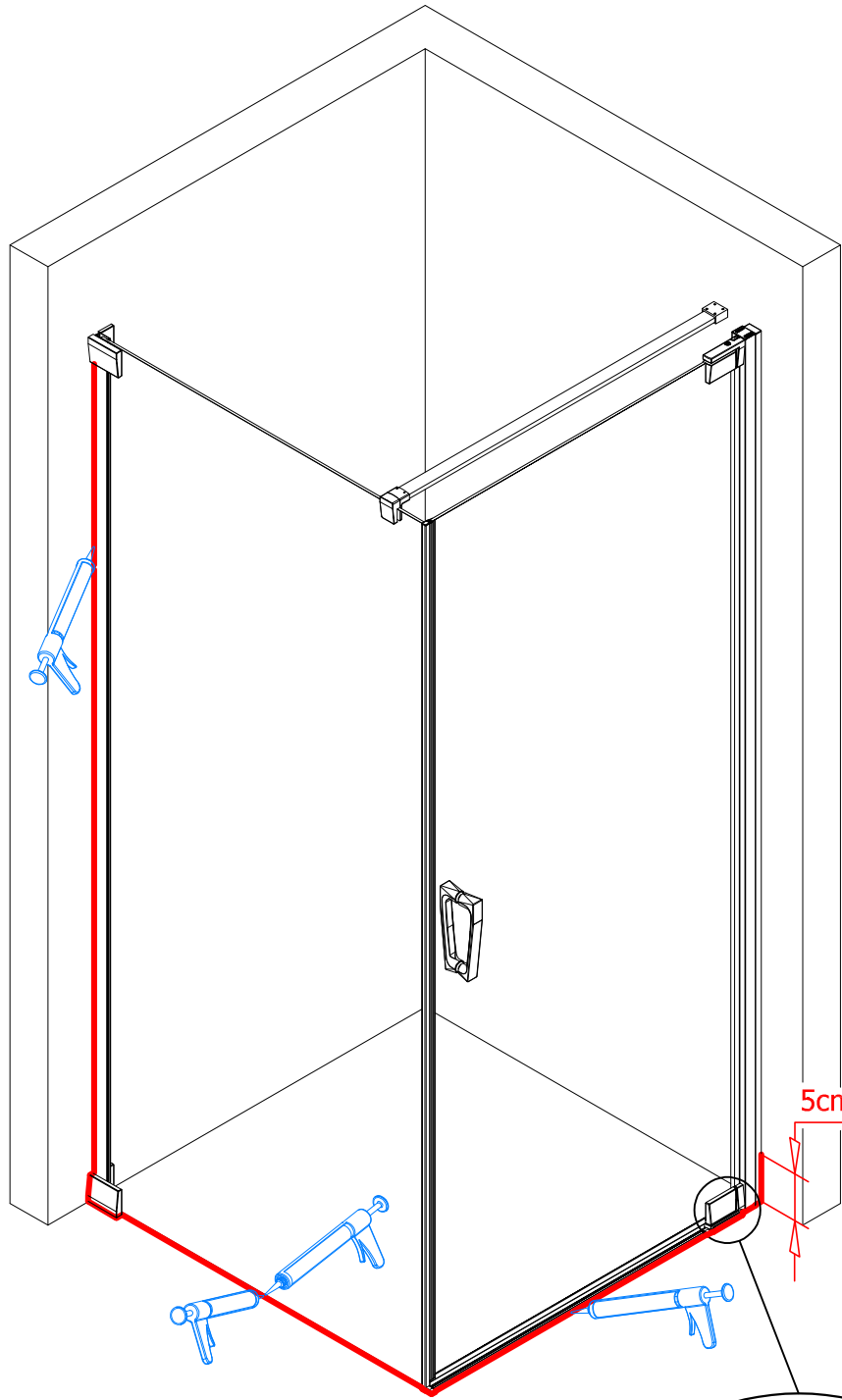
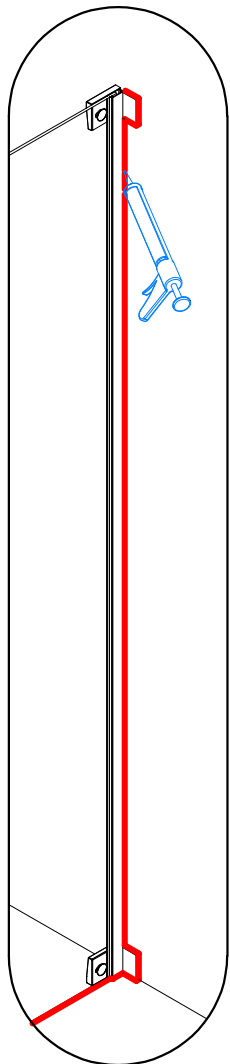
12.6

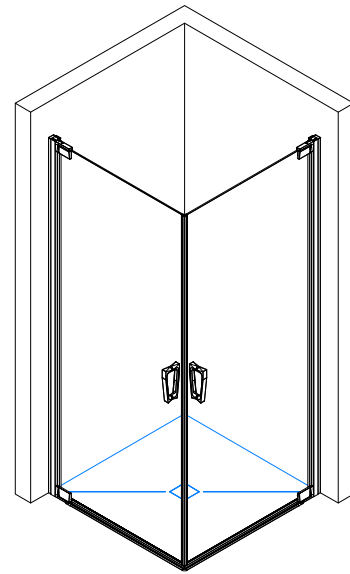
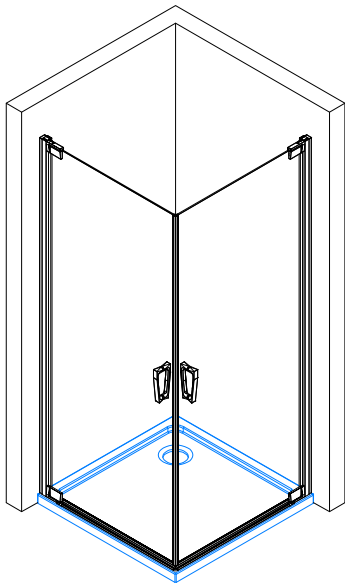


12.5

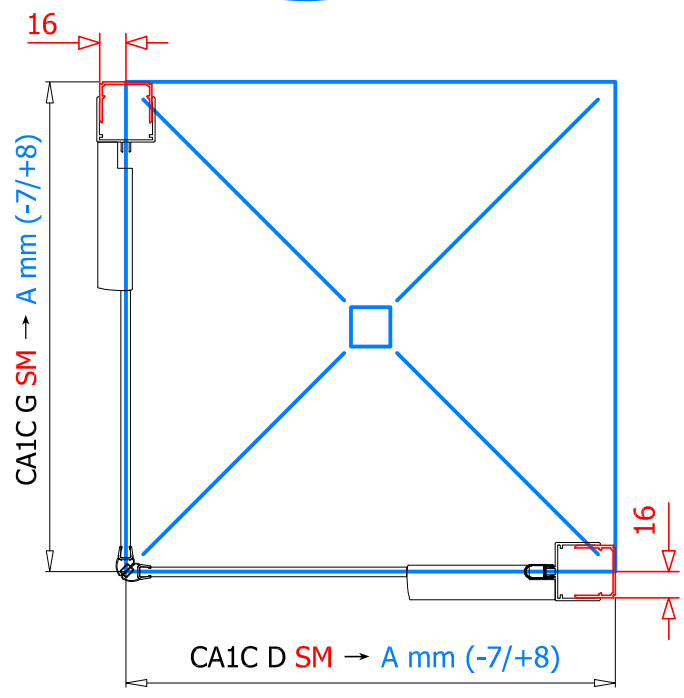
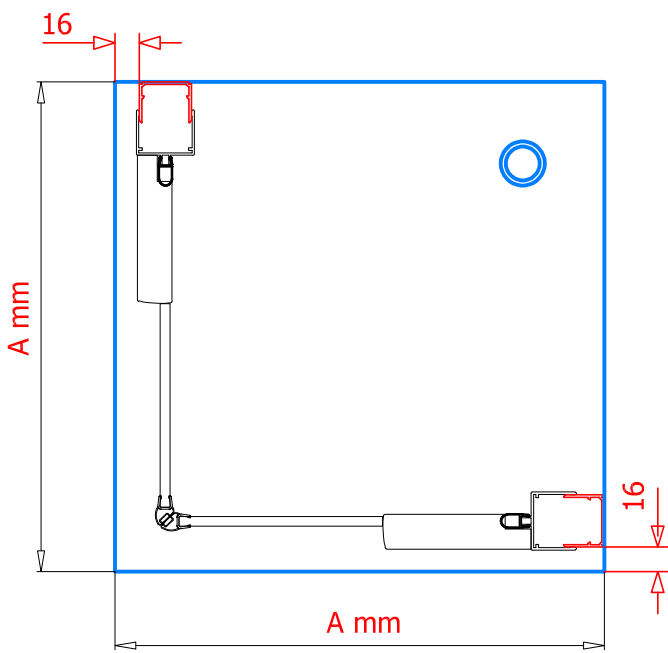
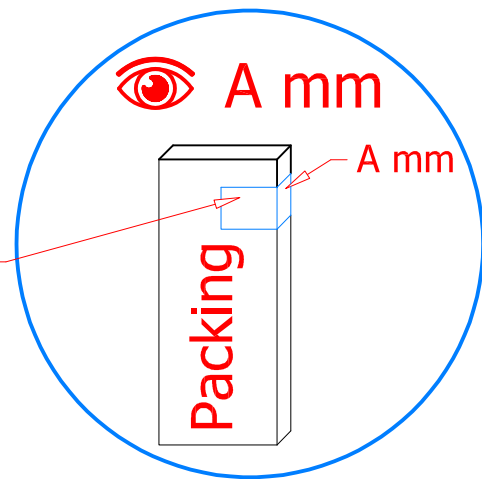


13.





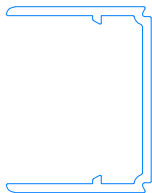
- CA1C D → A mm = (-15/+0)
- CA1C G → A mm = (-15/+0)
- CA1C D SM → A mm = (-7/+8)
- CA1C G SM → A mm = (-7/+8)



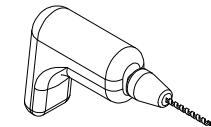
1.1 → 1.2

1.1

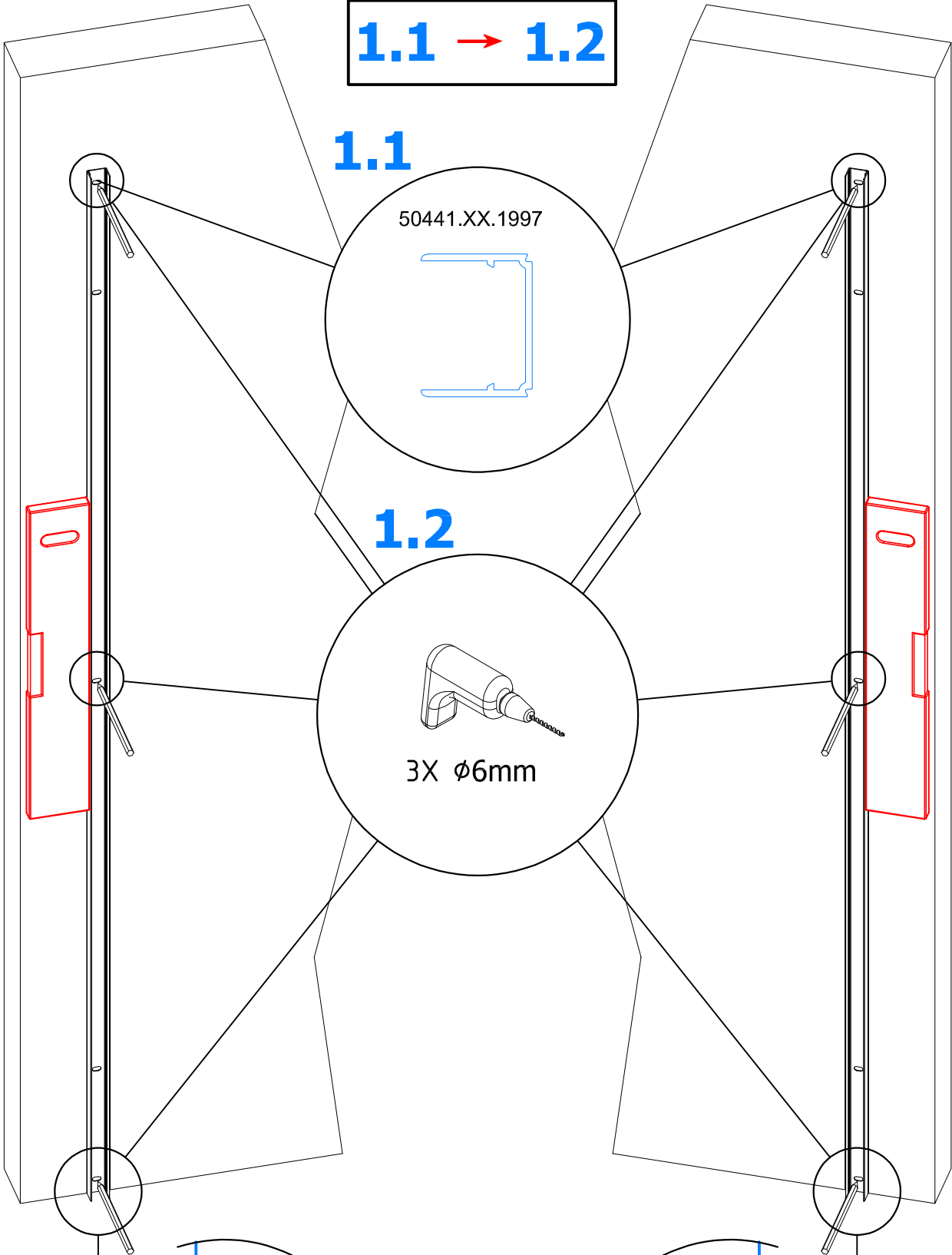
50441.XX.1997



1.2



3X $\phi 6\text{mm}$



16



16



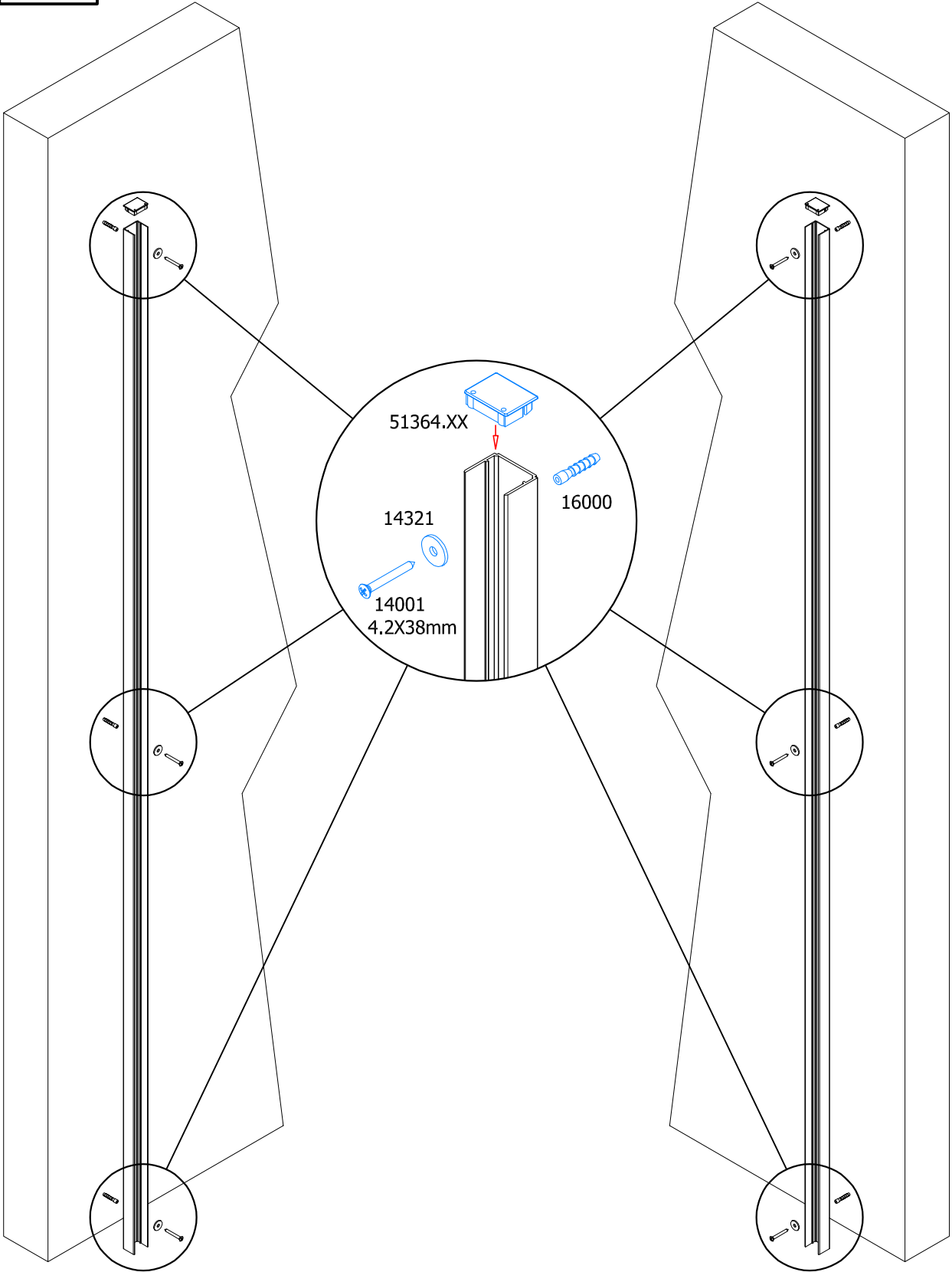
16



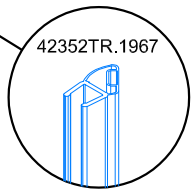
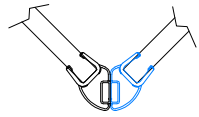
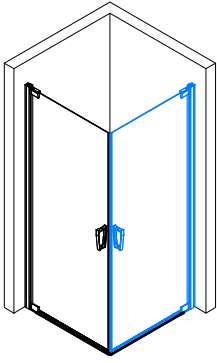
16



2.

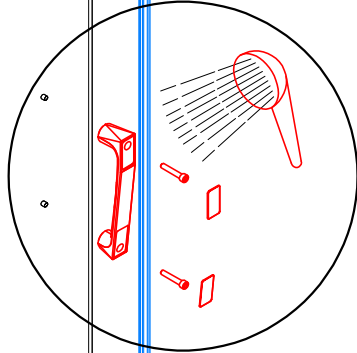


3.1 → 3.5

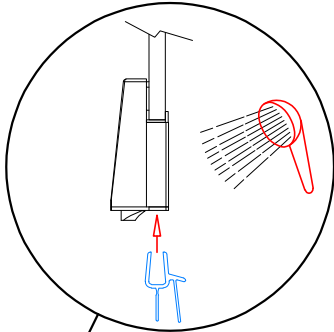


3.3

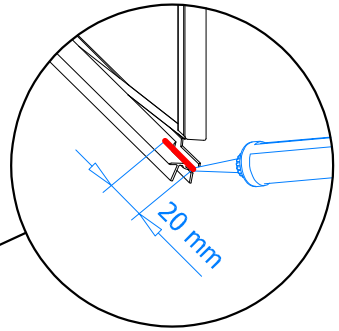
3.5



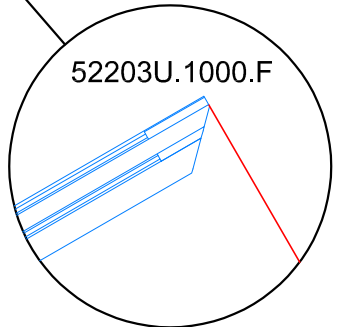
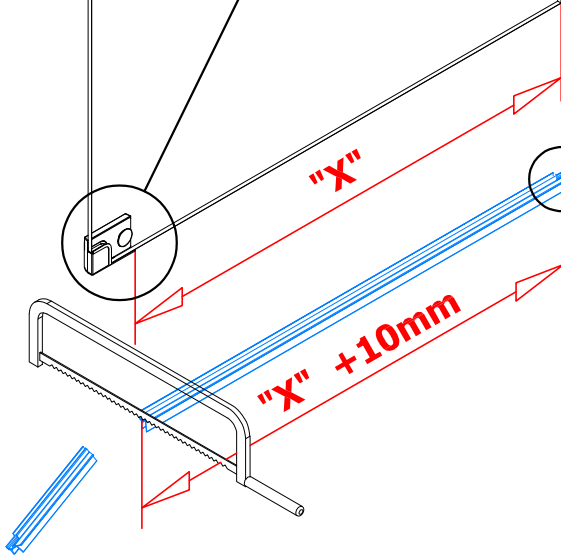
3.2

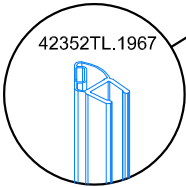


3.4



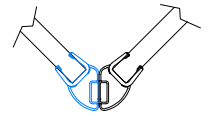
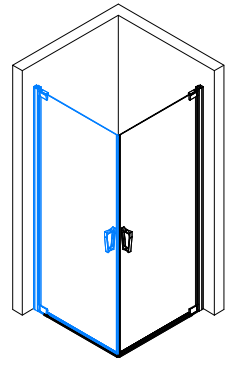
3.1



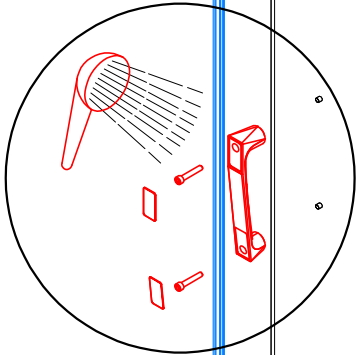


4.3

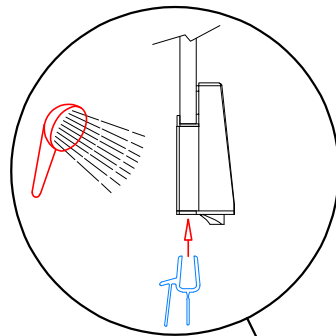
4.1 → 4.5



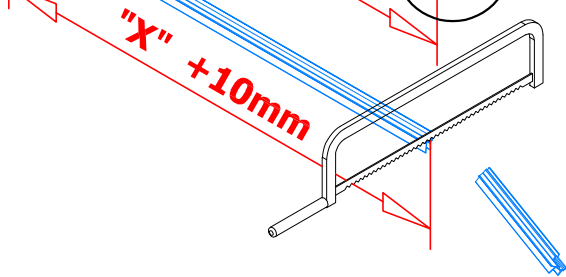
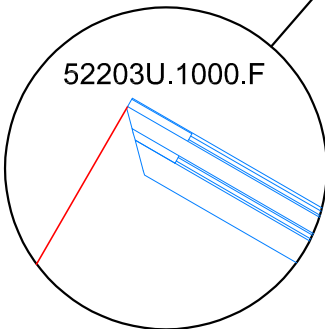
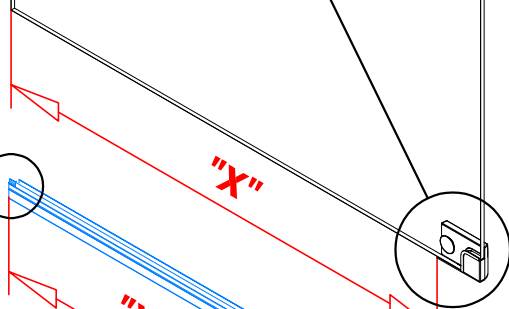
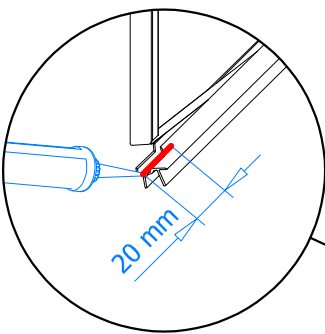
4.5



4.2



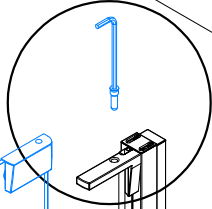
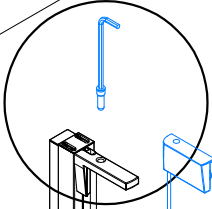
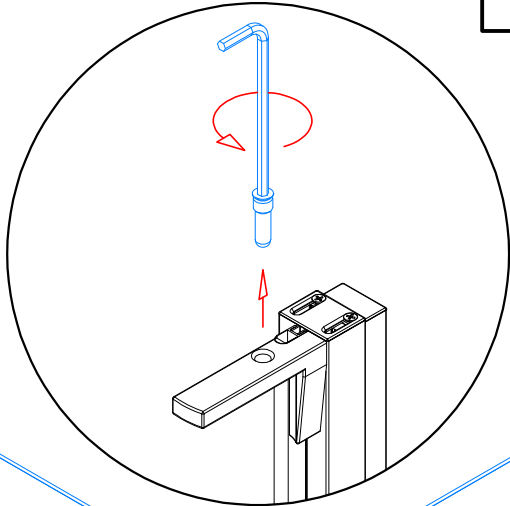
4.4



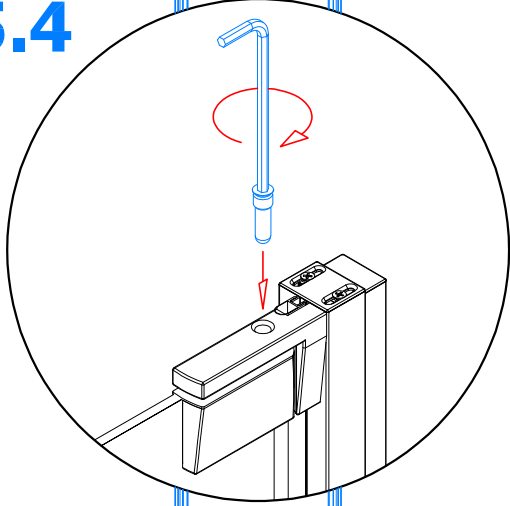
4.1

5.1

5.1 → 5.4

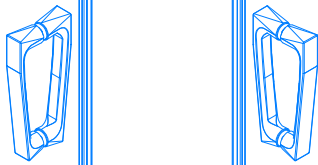


5.4



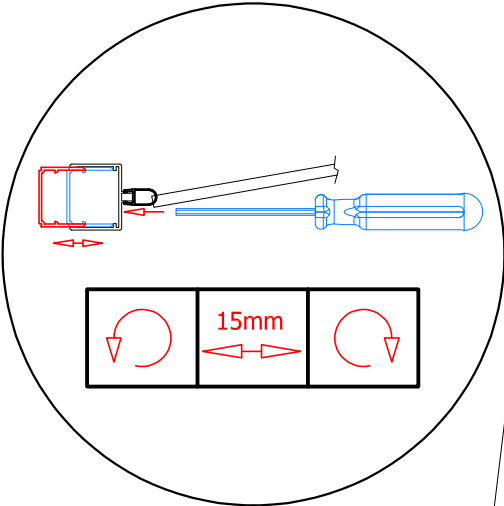
5.3

5.2

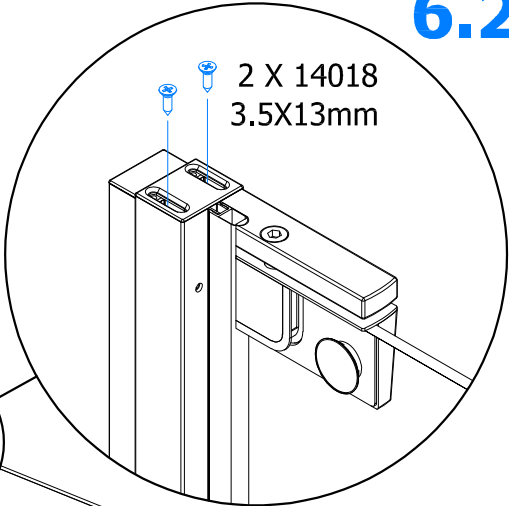


6.1 → 6.3

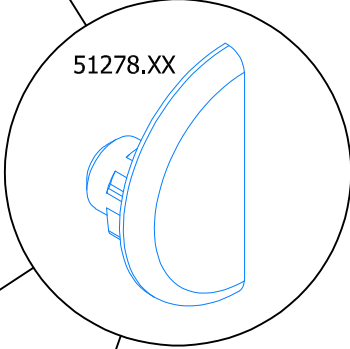
6.2



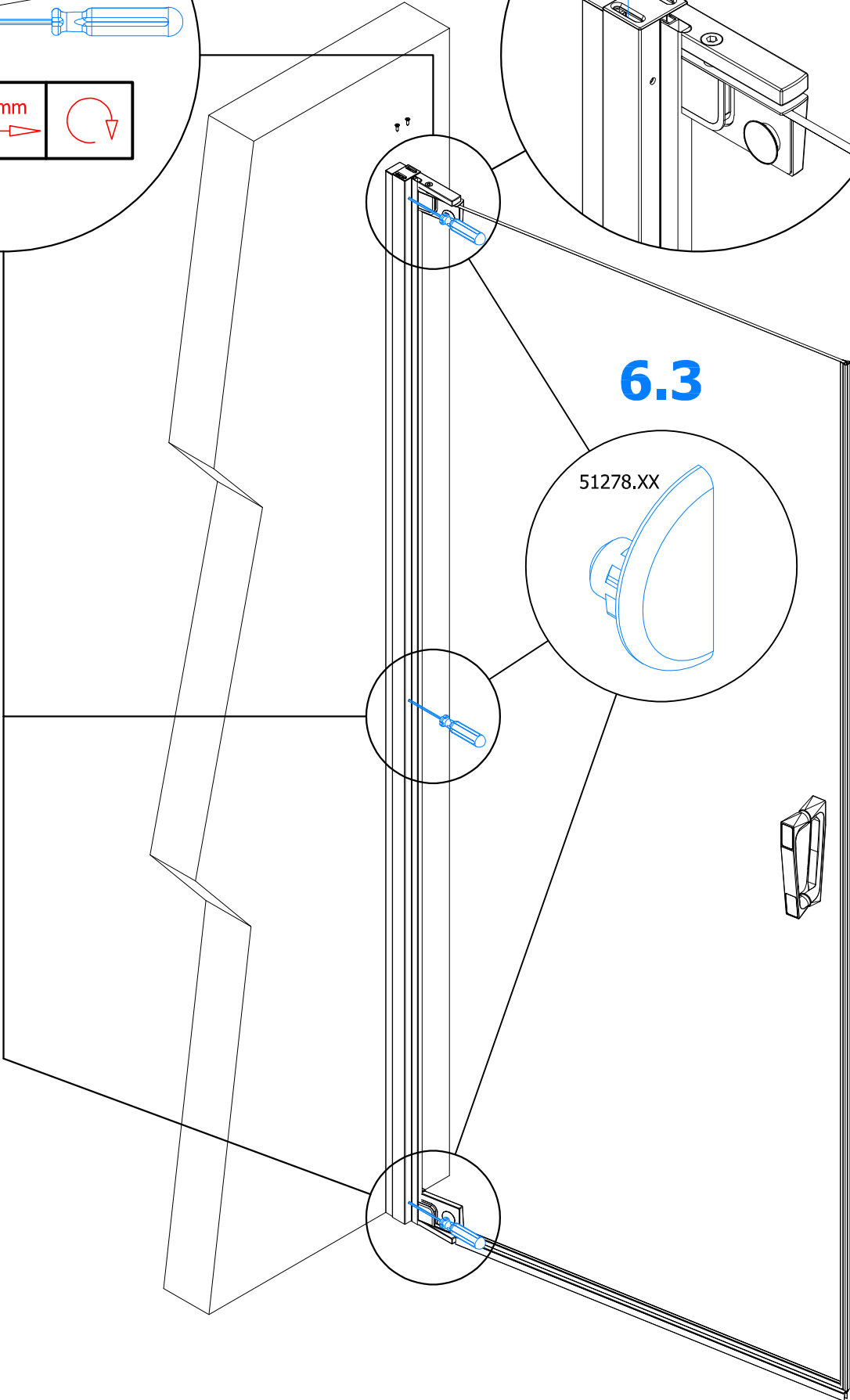
6.1



6.3

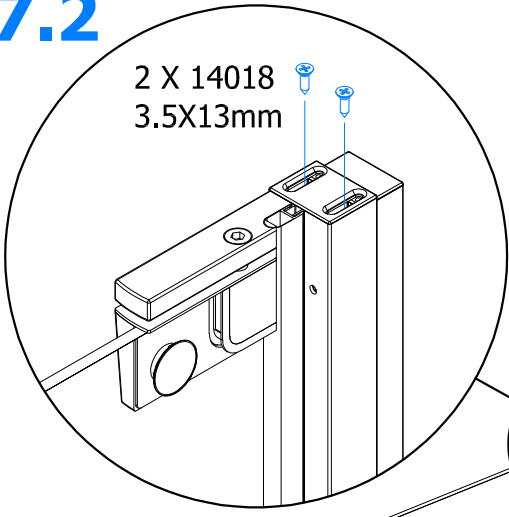


6.3

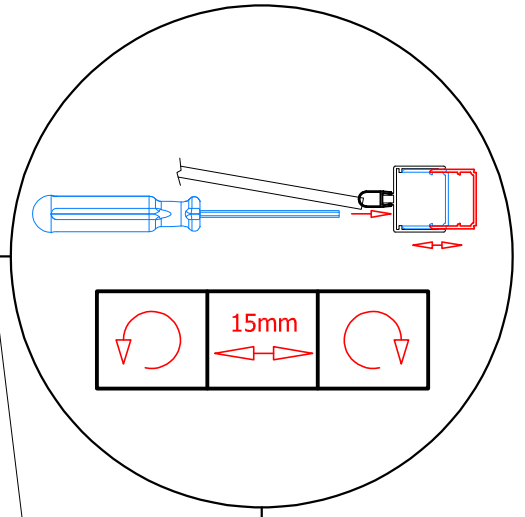


7.2

2 X 14018
3.5X13mm



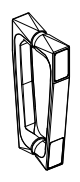
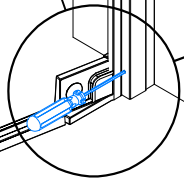
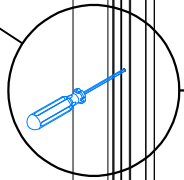
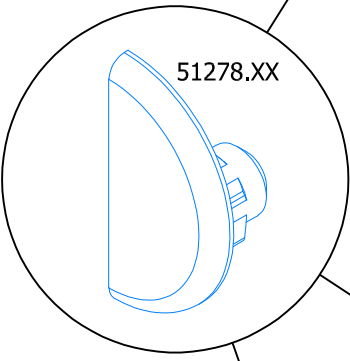
7.1 → 7.3



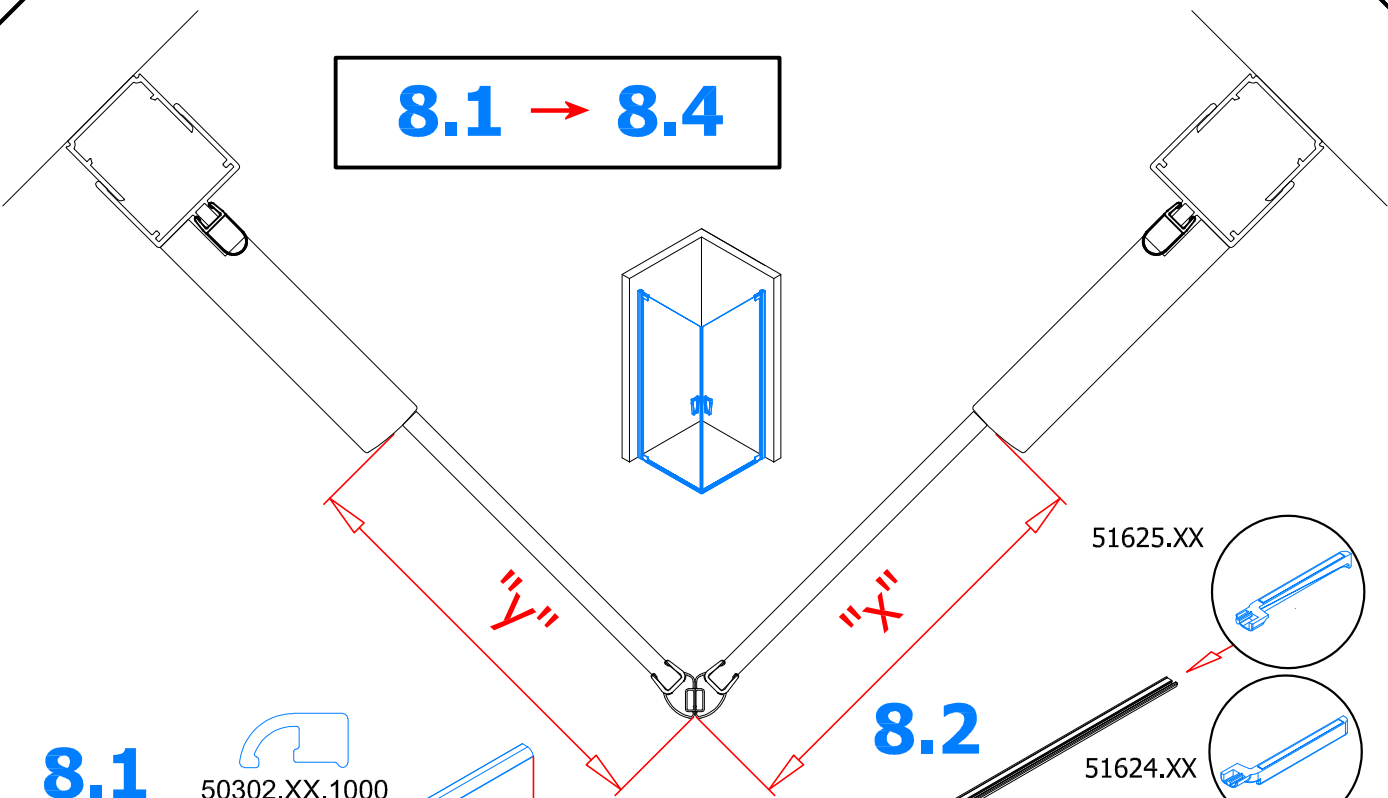
7.1

7.3

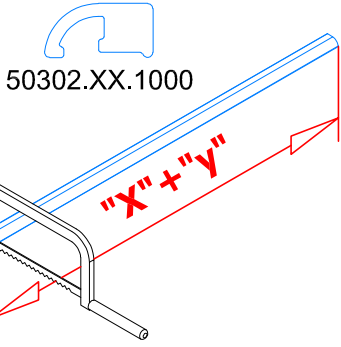
51278.XX



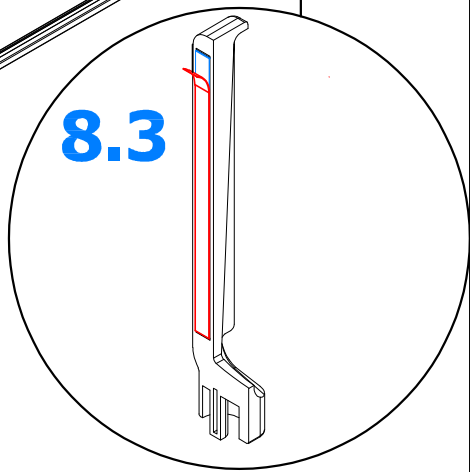
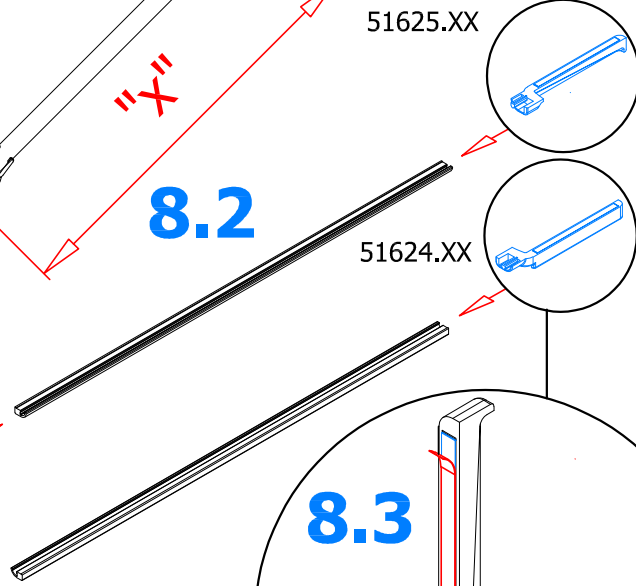
8.1 → 8.4



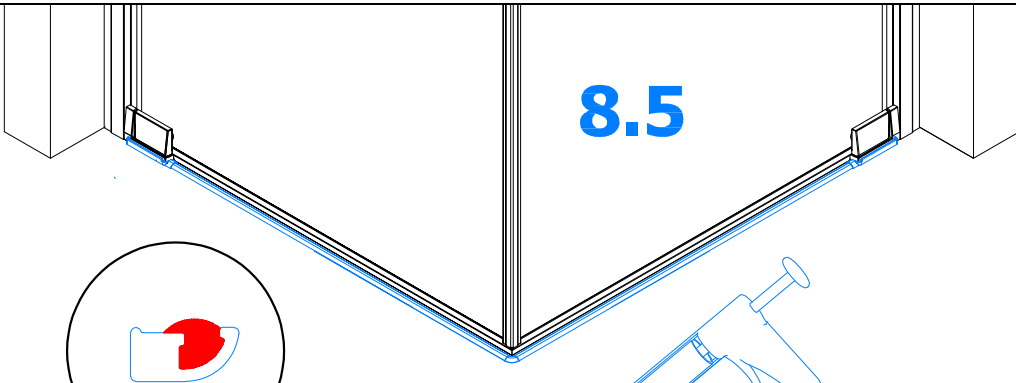
8.1



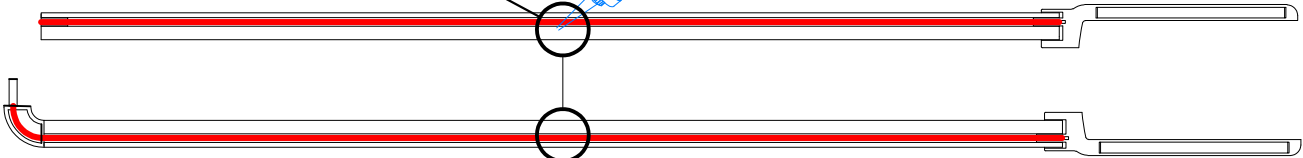
8.2



8.5



8.4



9.

