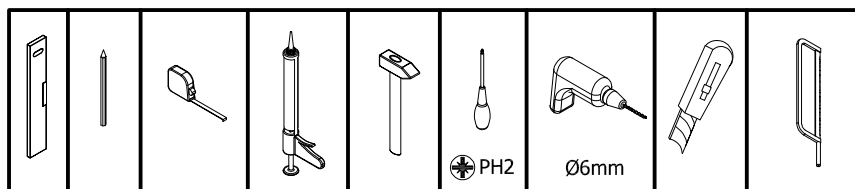
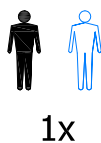
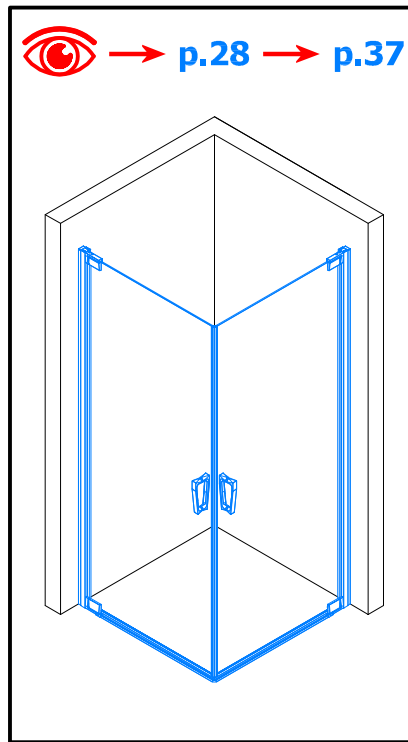
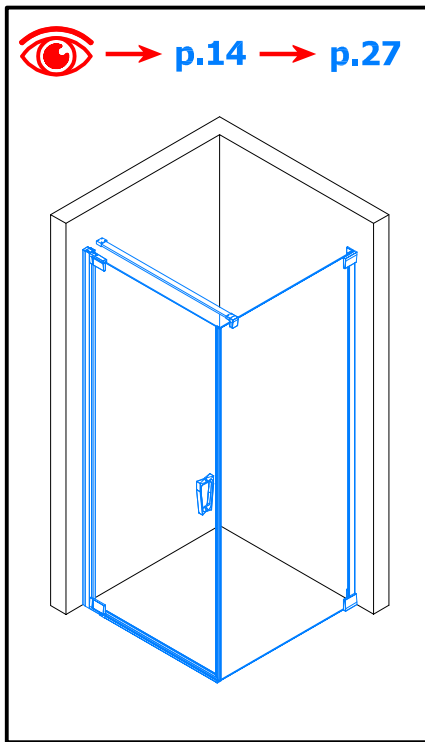
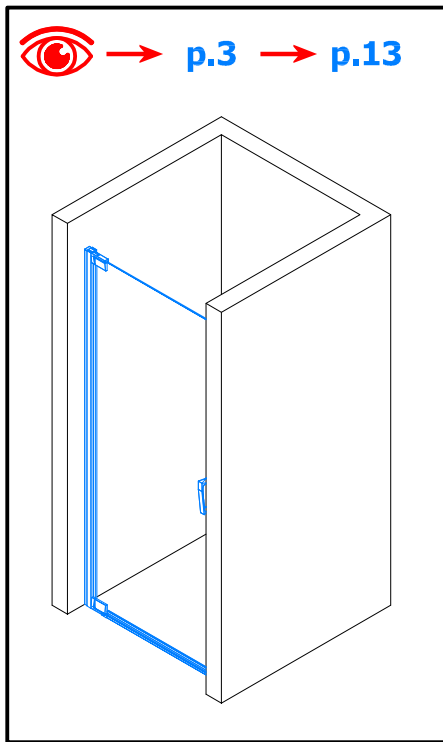


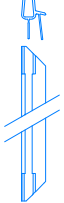

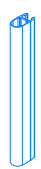






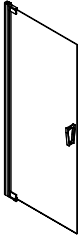


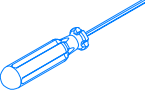




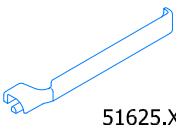
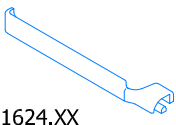



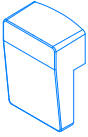


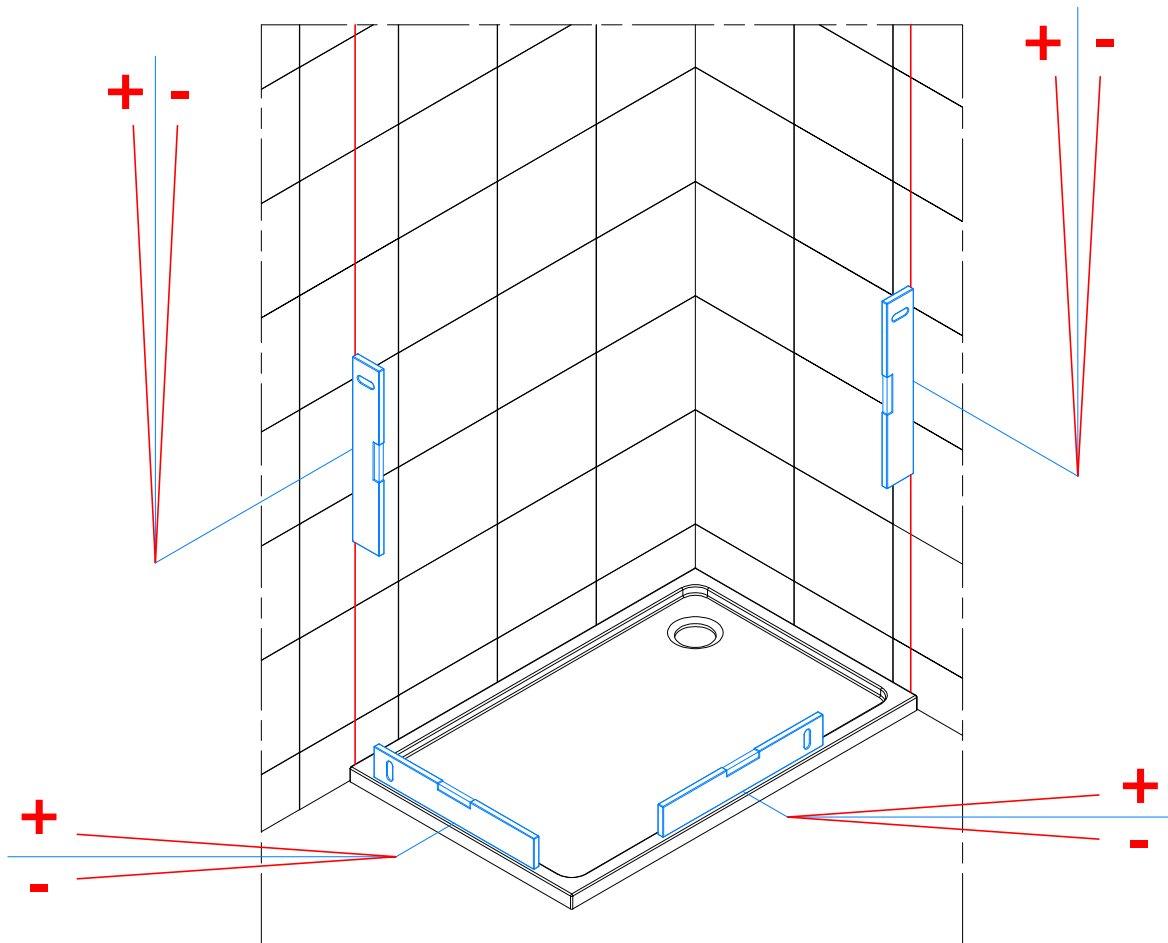
# 19657

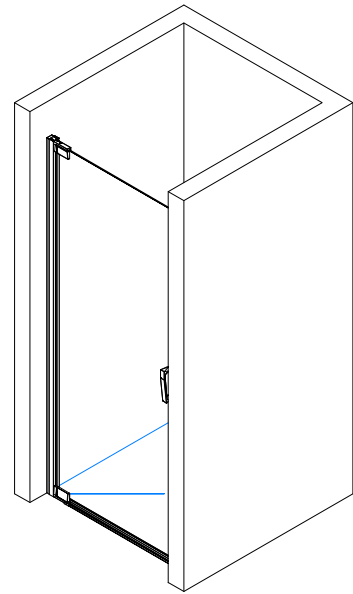
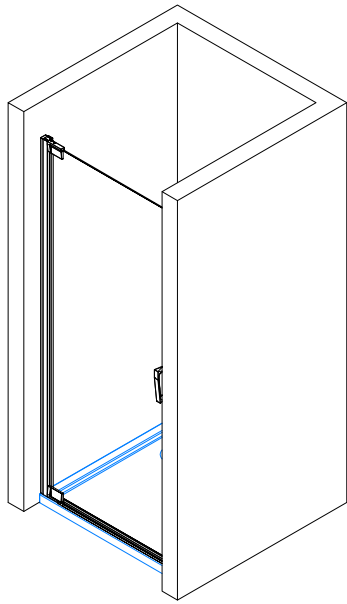


50031E150L2000 	50441. 50.1997 	52203U. 1000.F 	42352TL. 1967 	52105. 2000 	MT0382.10 	 FITTING PACK
						1 x 50302. 50.1000 

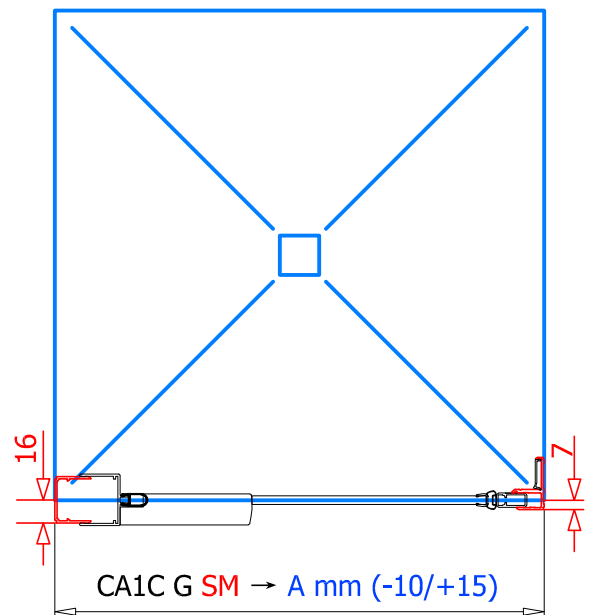
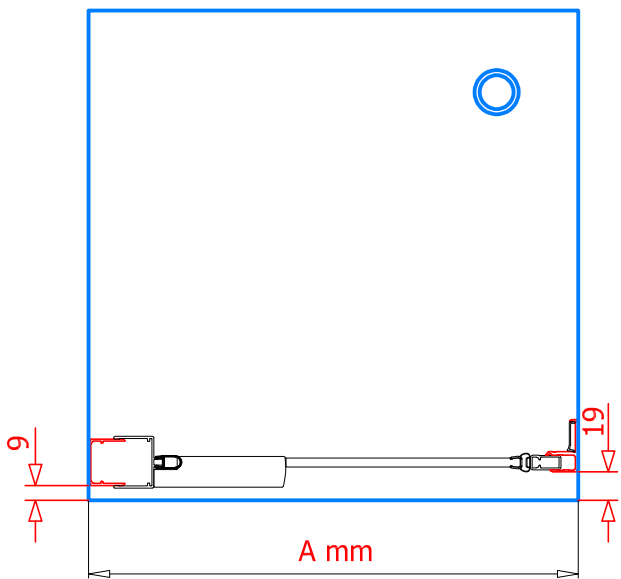
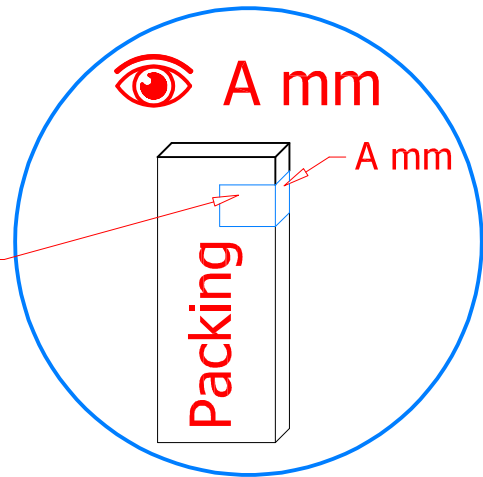
 1 x 11221	 3 x 14001 4.2X38mm	 3 X 14321
	 2 X 14018 3.5X13mm	 51364.XX
	 17218	 17156 - 5mm
 3 x 16000 ø 6mm	 2 X 54164.XX	 3X 51278.XX

SM.CA.XX	
 51625.XX	 51624.XX
 51253.XX	 51254.XX
 51348.XX	 51576.XX

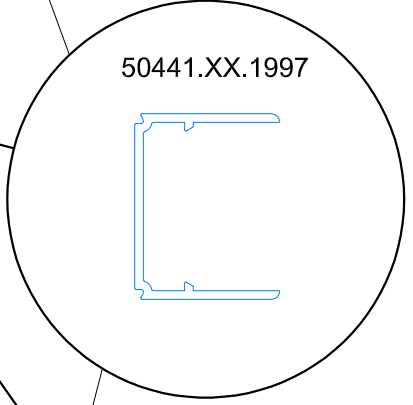
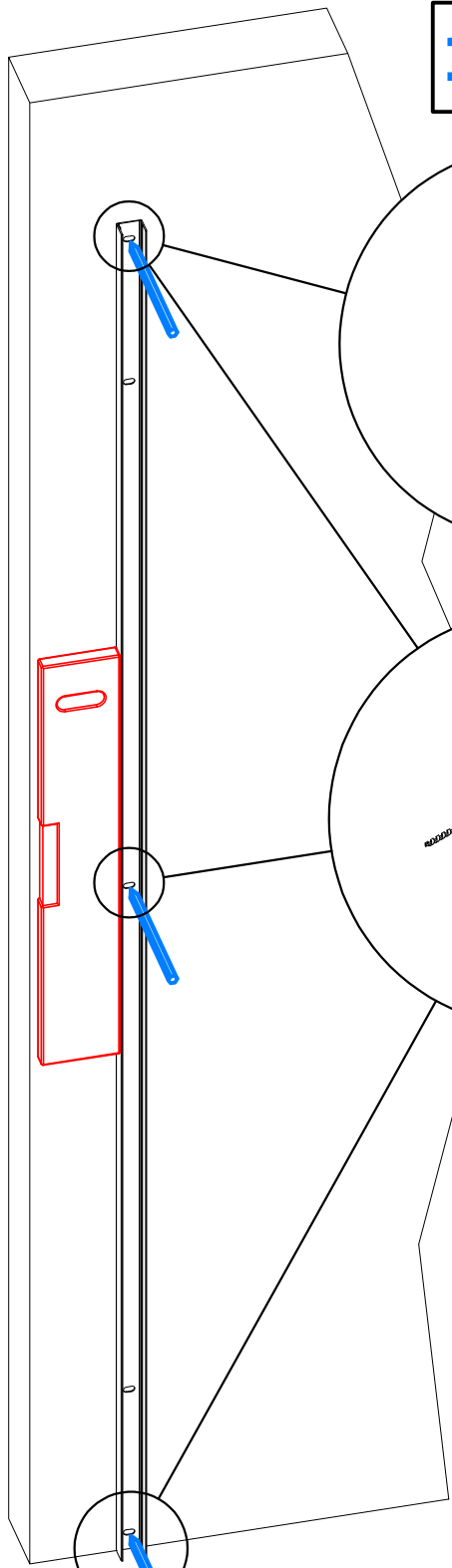
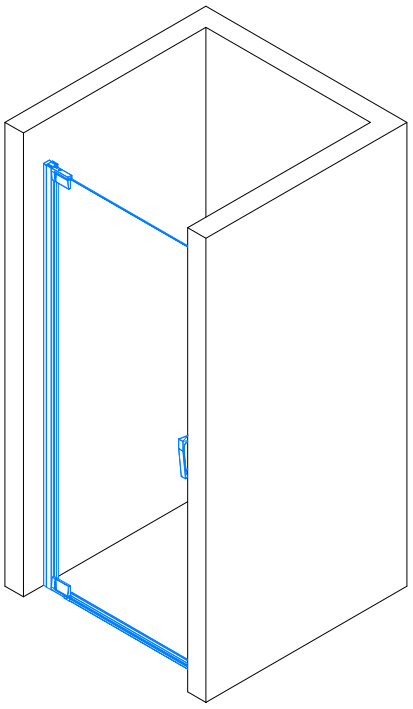




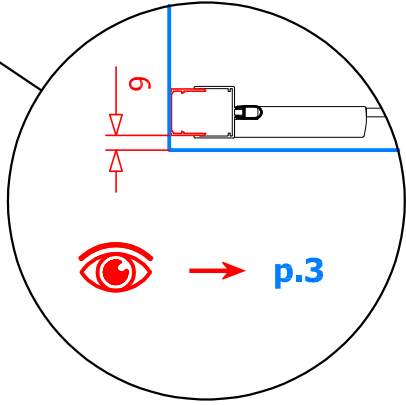
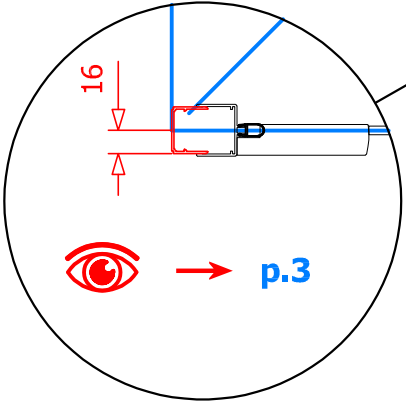
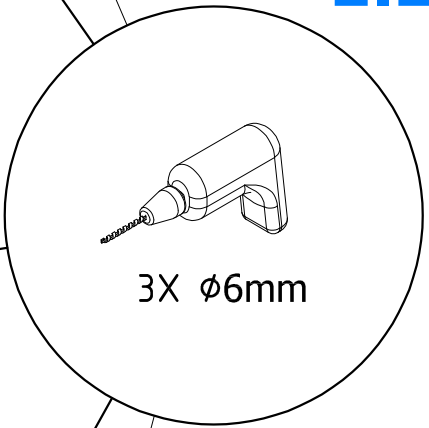
CA1C G → A mm = (-25/+0)  
 CA1C G **SM** → A mm = (-10/+15)



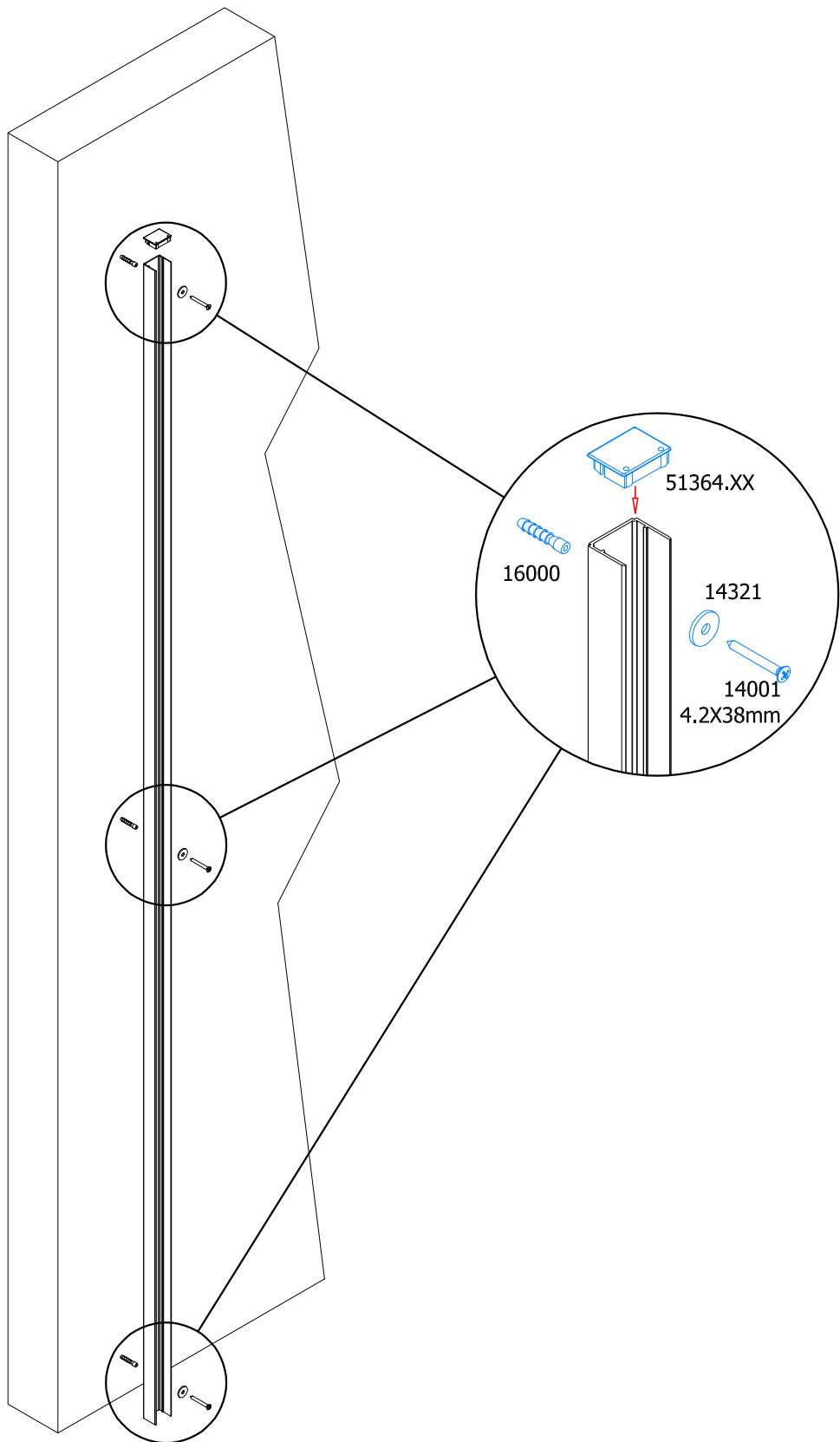
**1.1 → 1.2**



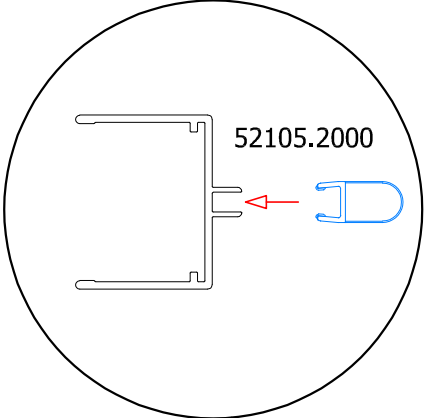
**1.2**



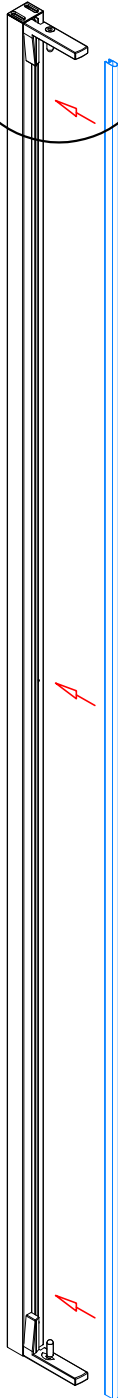
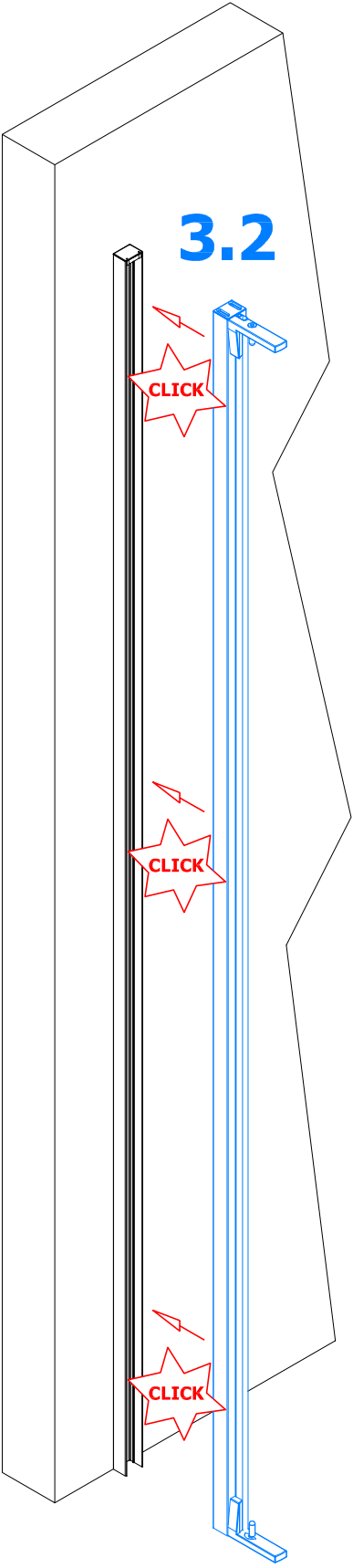
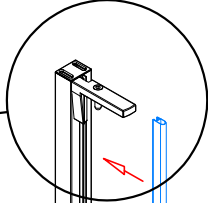
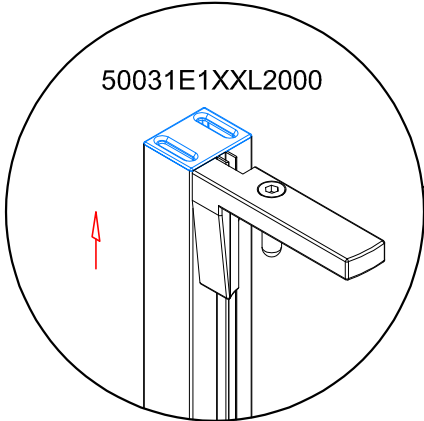
2.



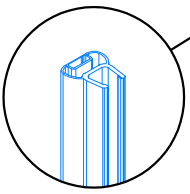
**3.1 → 3.2**



**3.1**



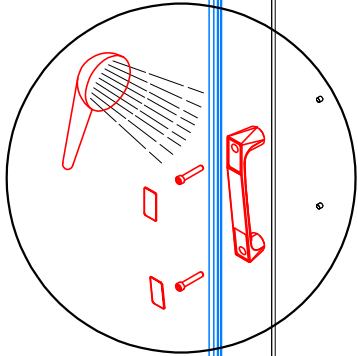
4.1 → 4.5



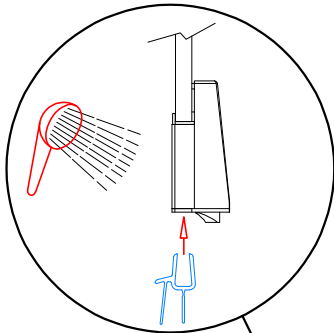
4.3



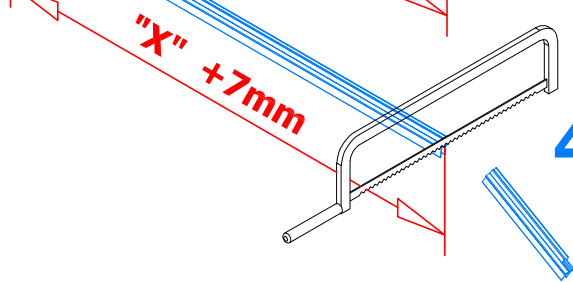
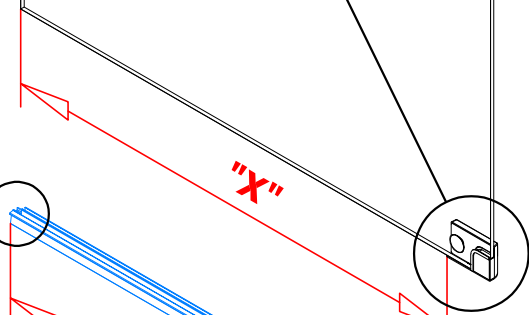
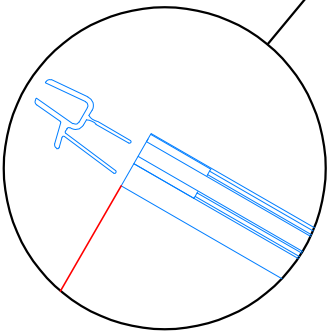
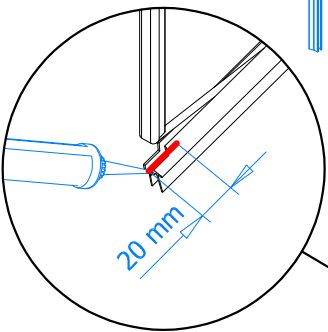
4.5



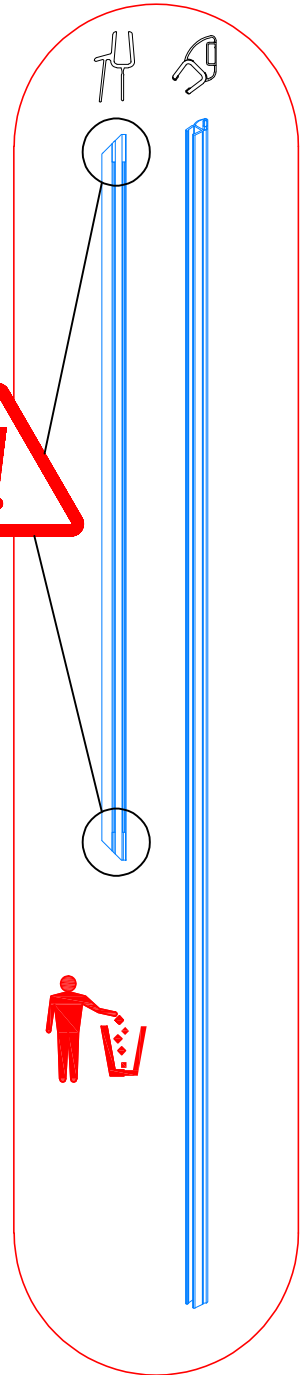
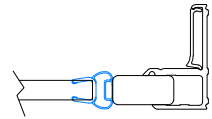
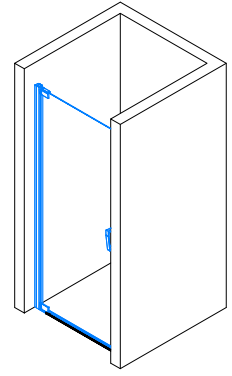
4.2



4.4

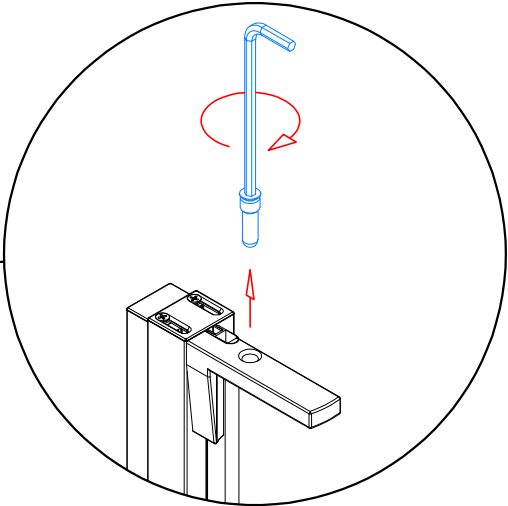


4.1

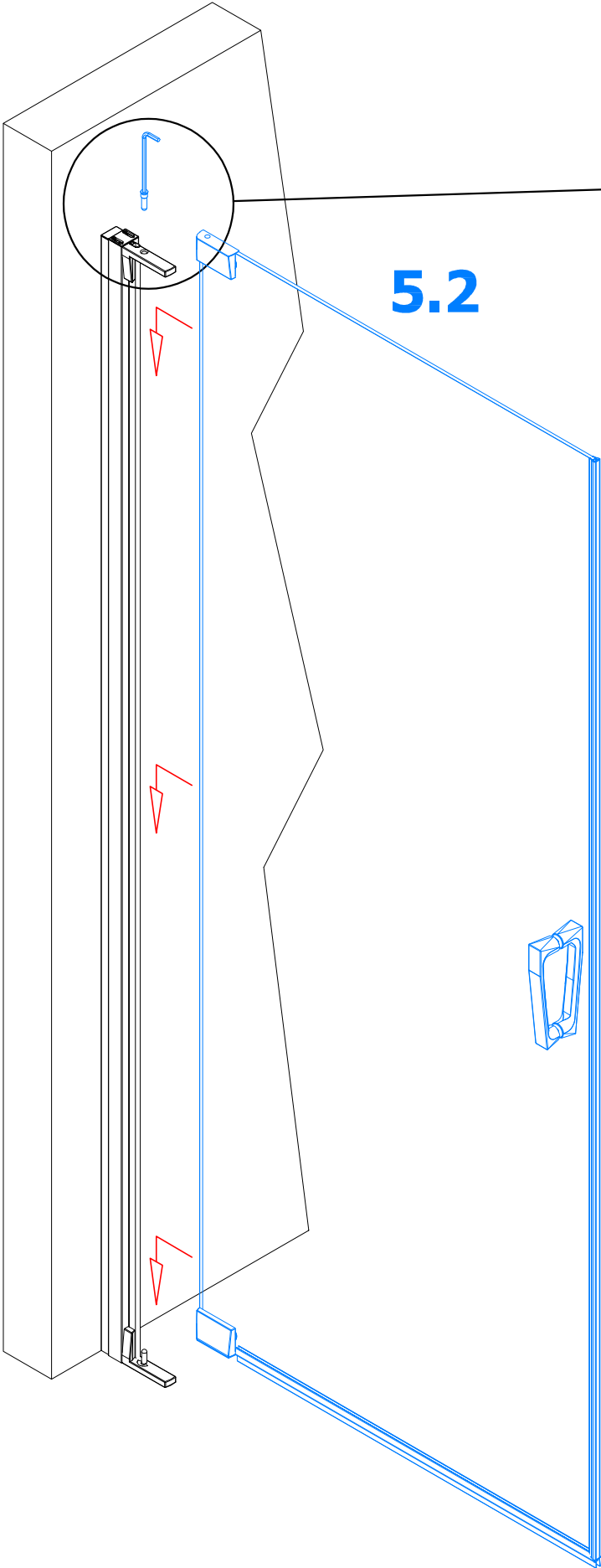


**5.1 → 5.3**

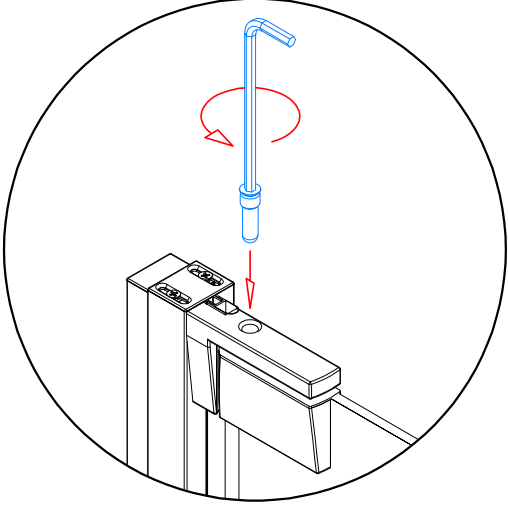
**5.1**



**5.2**



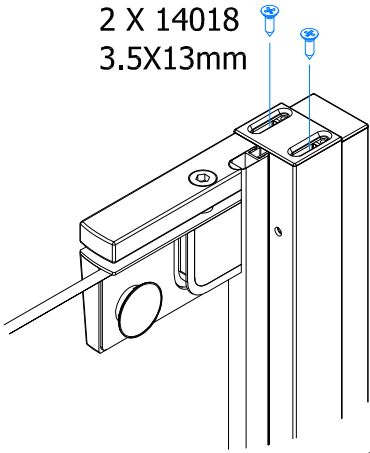
**5.3**



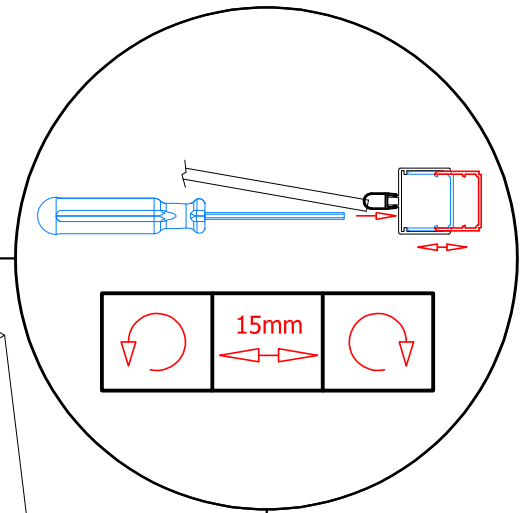


# 6.2

2 X 14018  
3.5X13mm

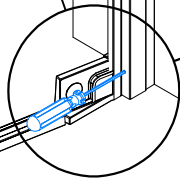
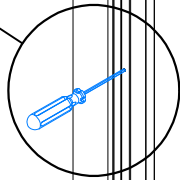
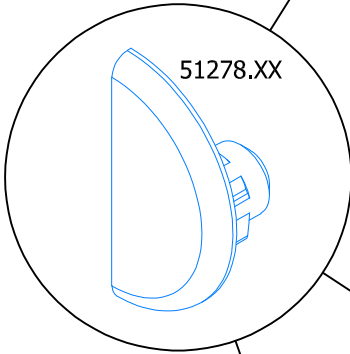


# 6.1 → 6.3



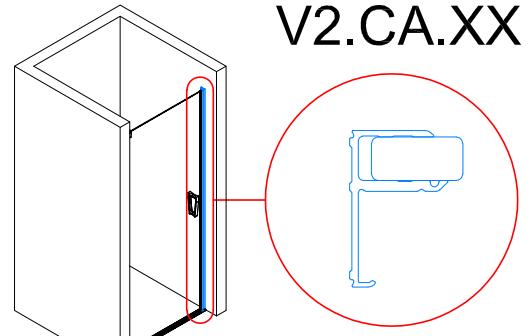
# 6.1

# 6.3

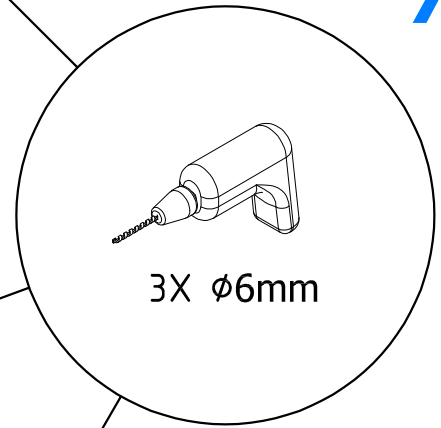


V2.CA.XX

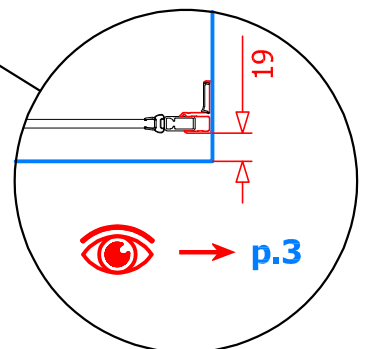
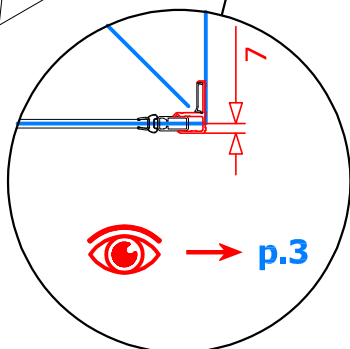
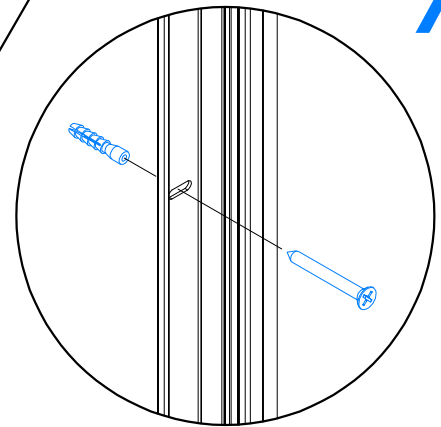
7.1 → 7.2



7.1

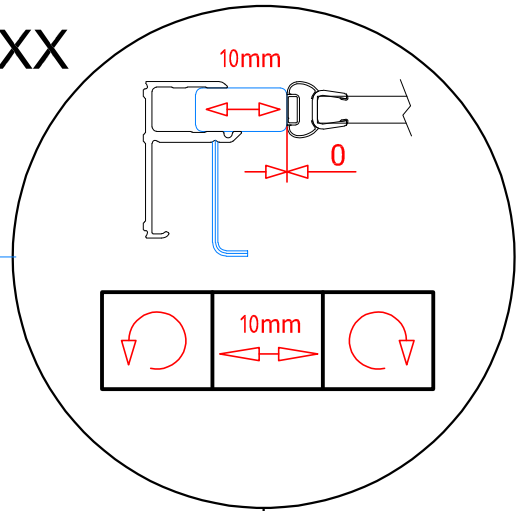


7.2

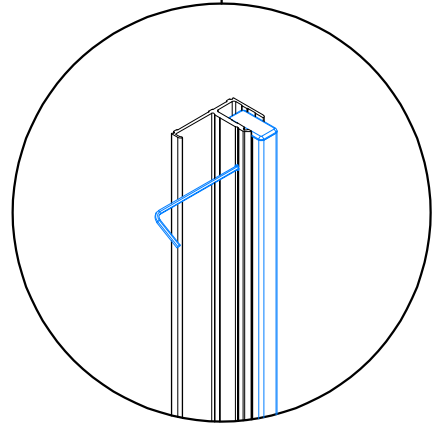


**8.1 → 8.3**

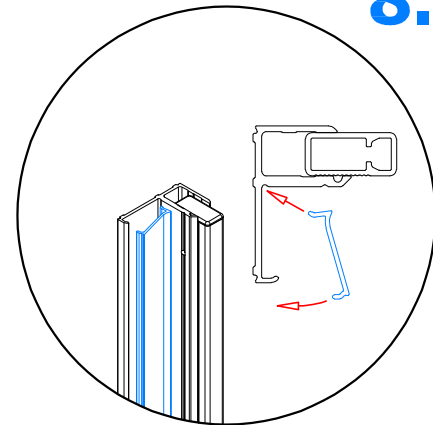
V2.CA.XX



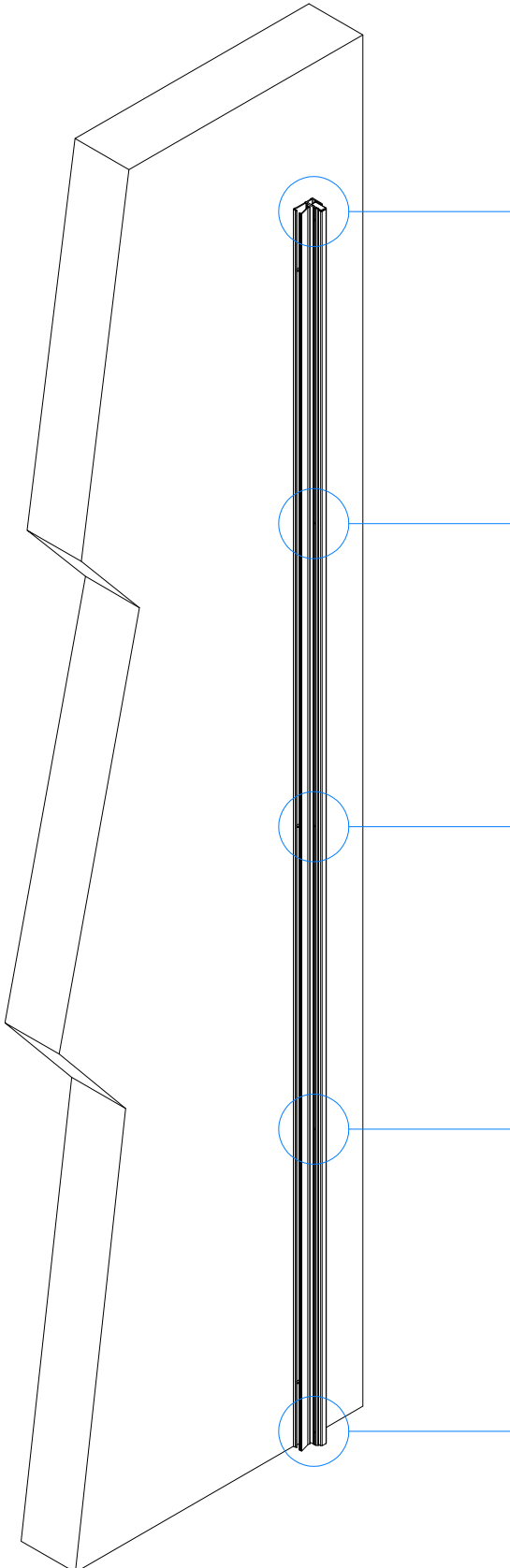
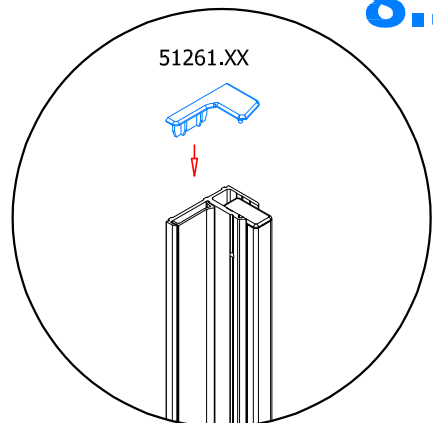
**8.1**



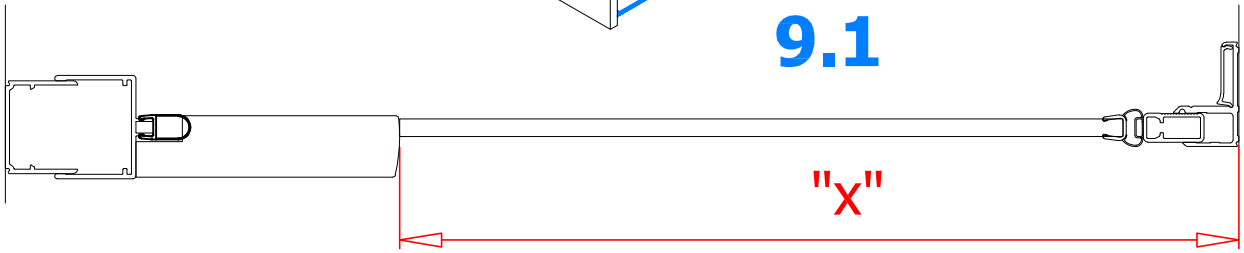
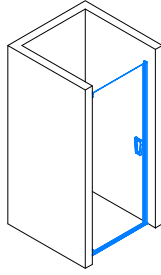
**8.2**



**8.3**

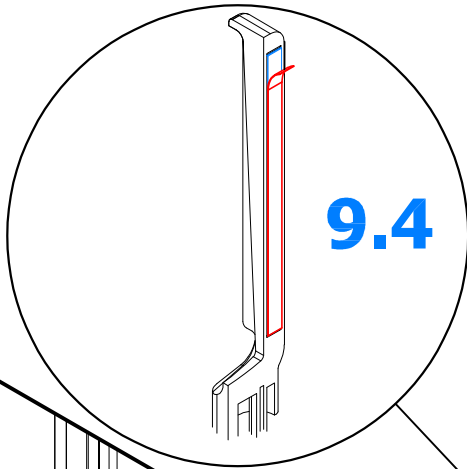


**9.1 → 9.6**

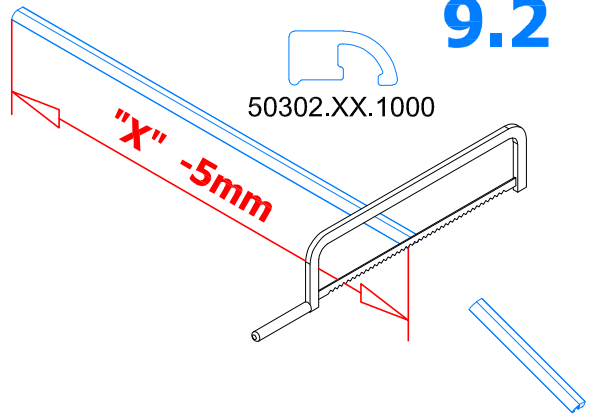


**9.1**

"X"



**9.4**

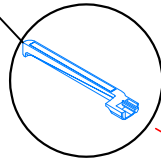


**9.2**

50302.XX.1000

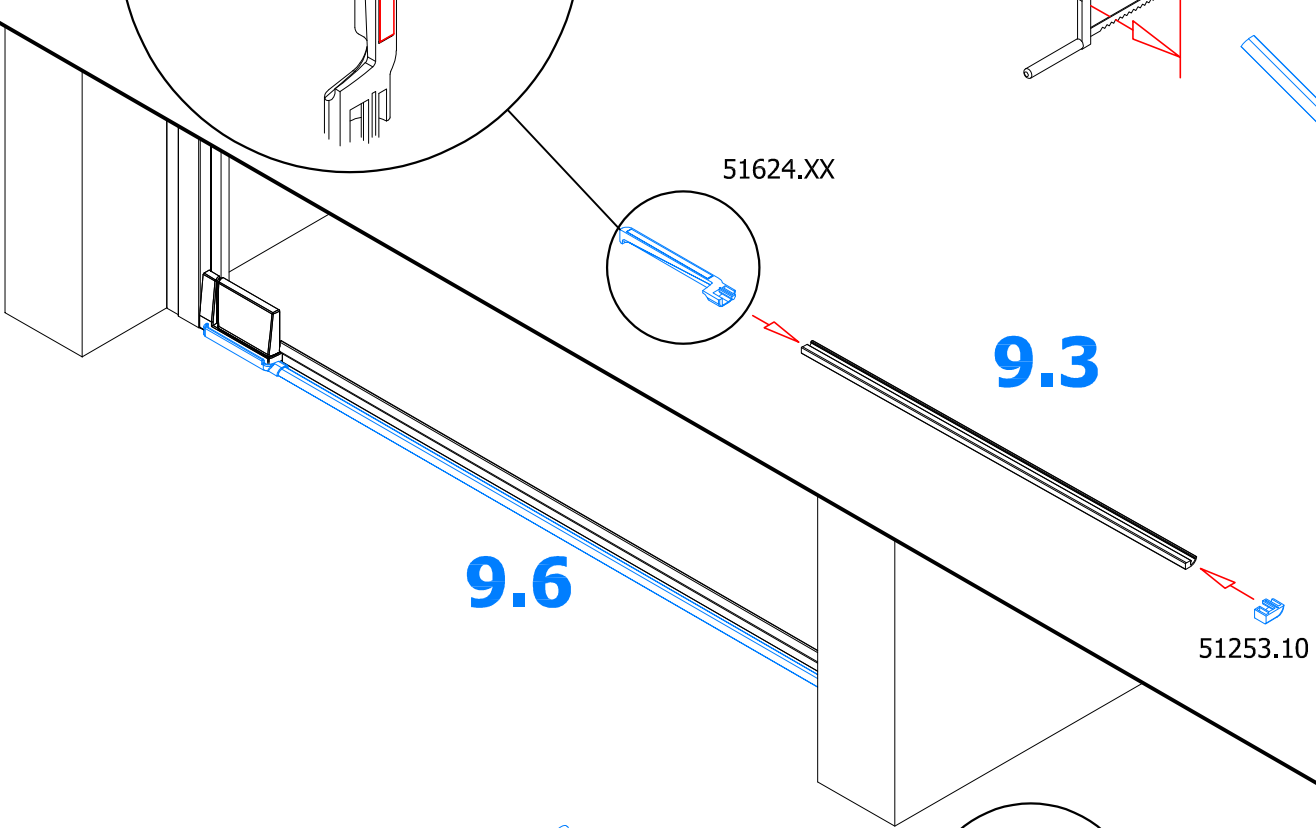
"X" - 5mm

51624.XX

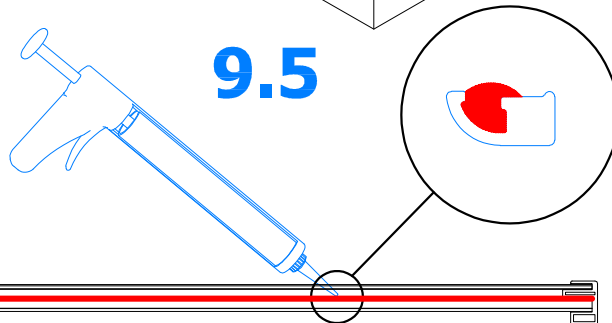


**9.3**

51253.10

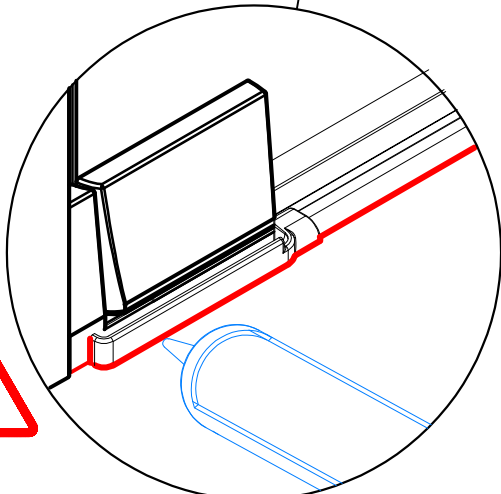
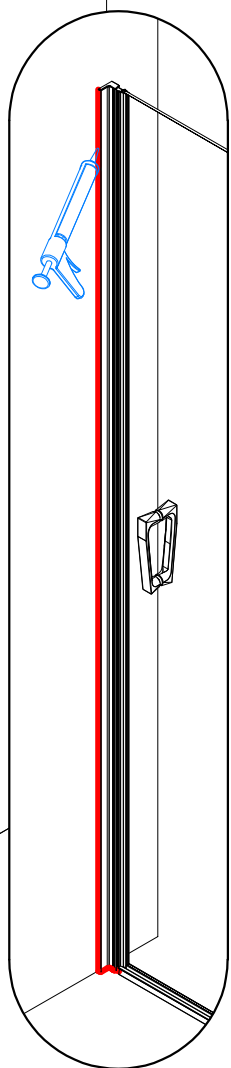
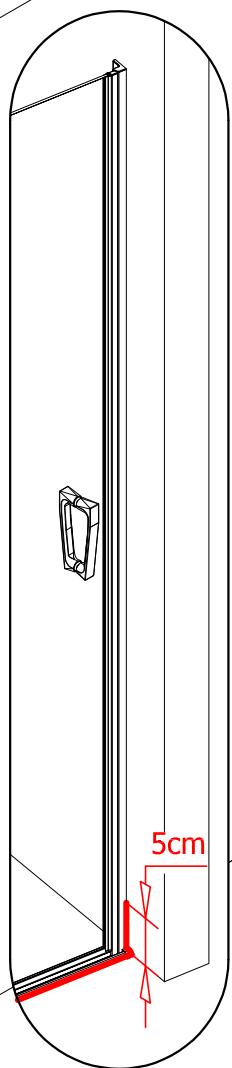
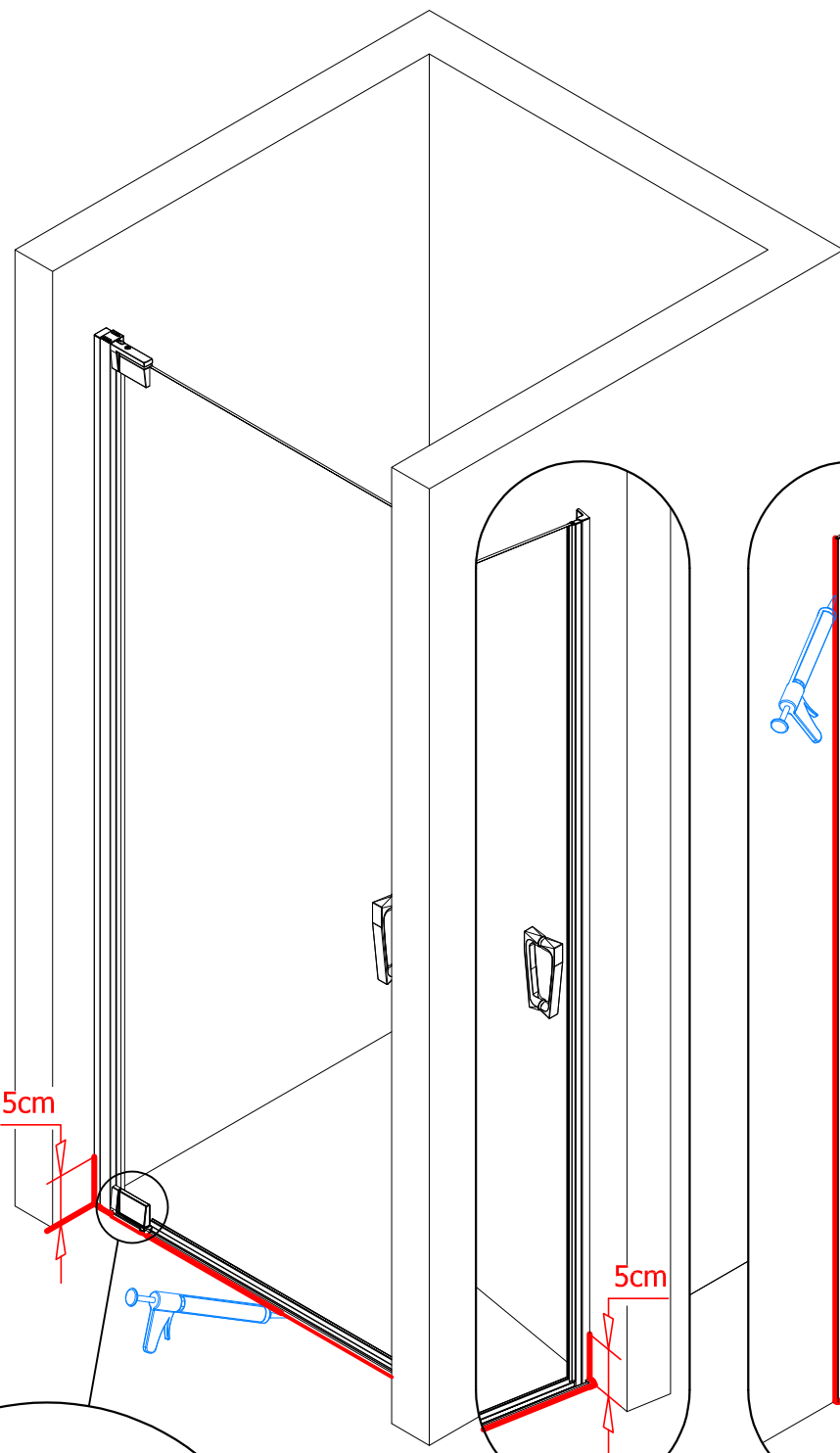
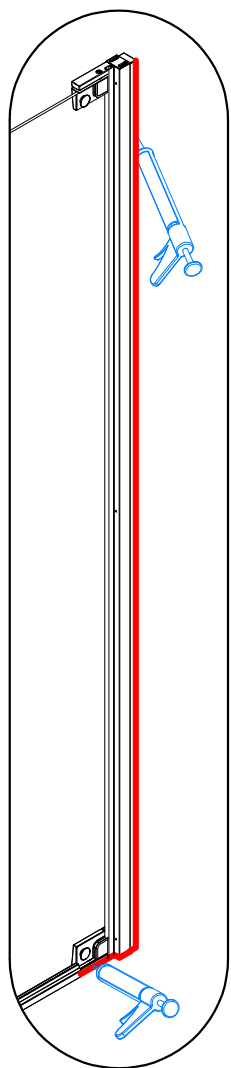


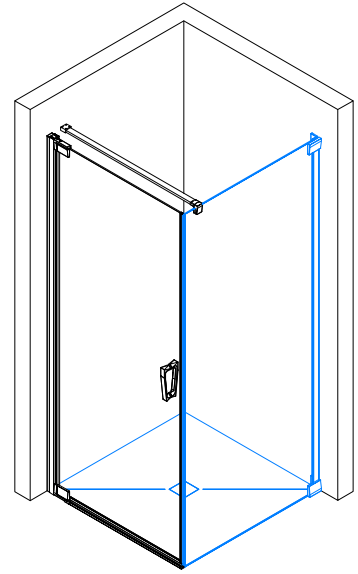
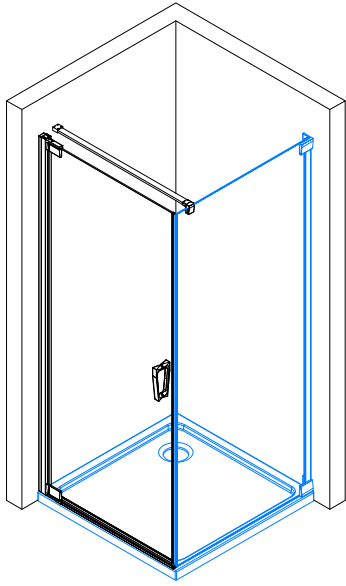
**9.6**



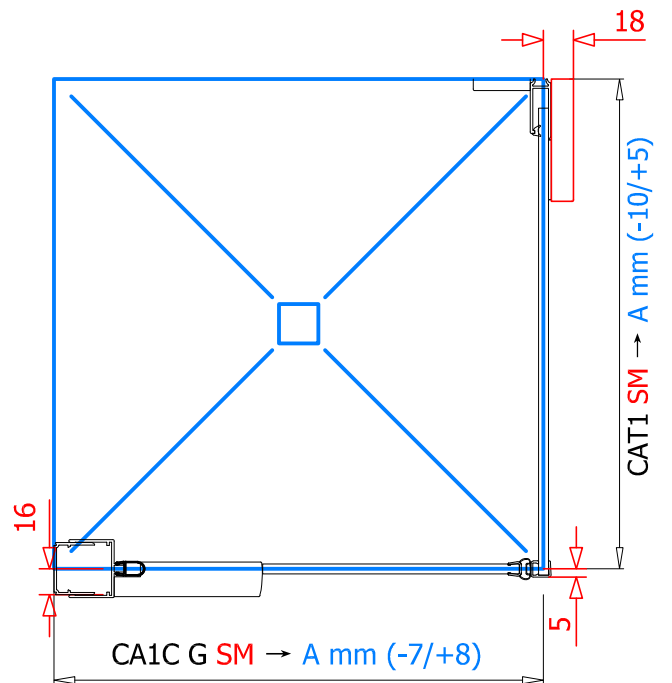
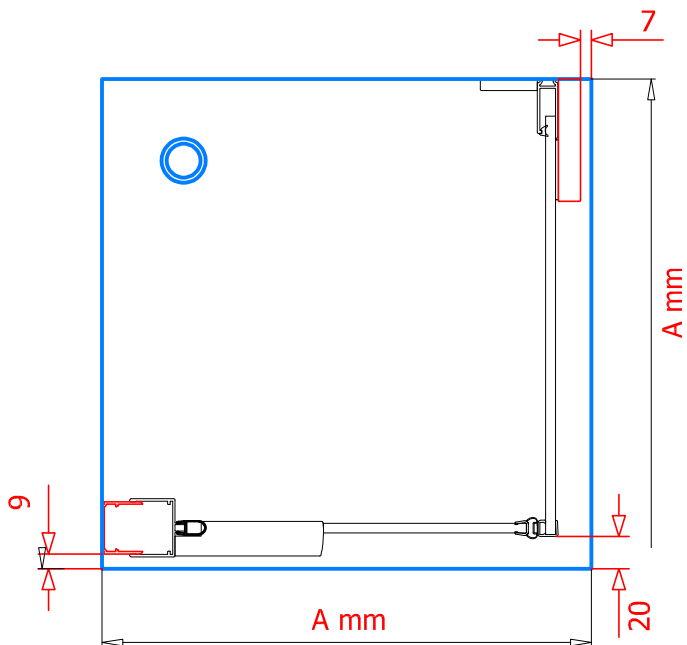
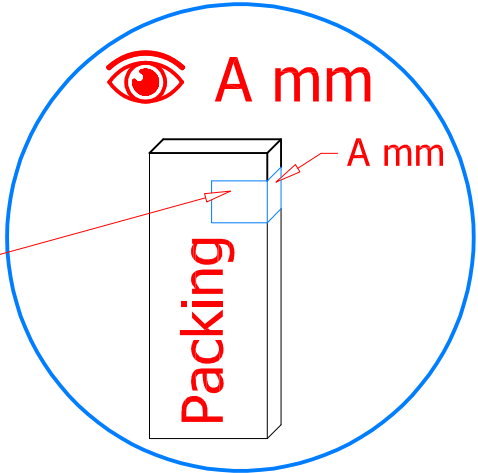
**9.5**

10.

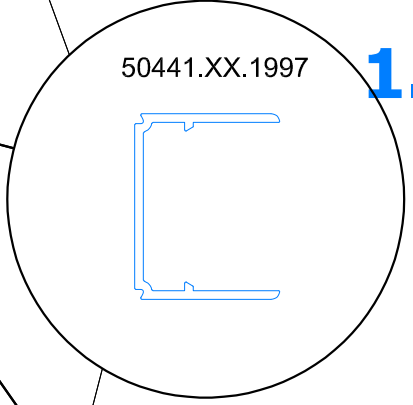
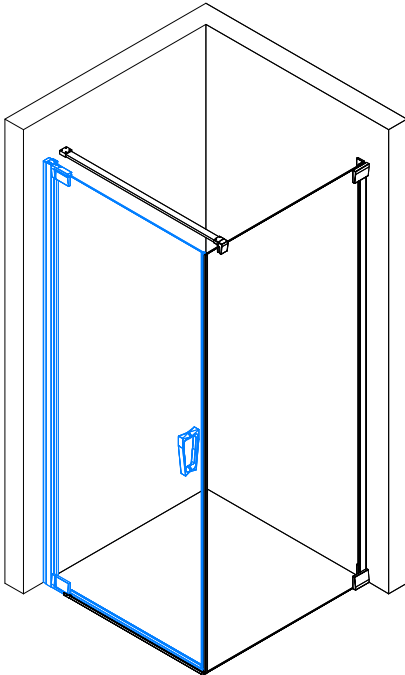




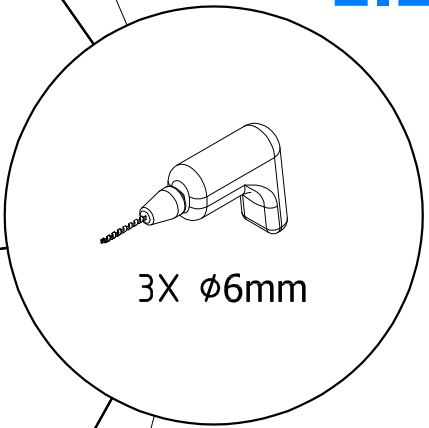
- CA1C G → A mm = (-15/+0)
- CAT1 → A mm = (-15/+0)
- CA1C G **SM** → A mm = (-7/+8)
- CAT1 **SM** → A mm = (-10/+5)



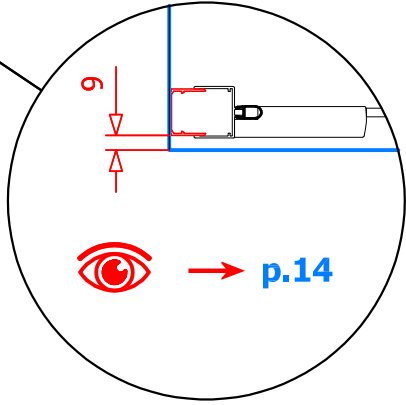
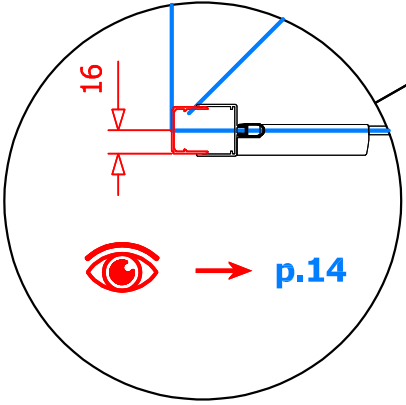
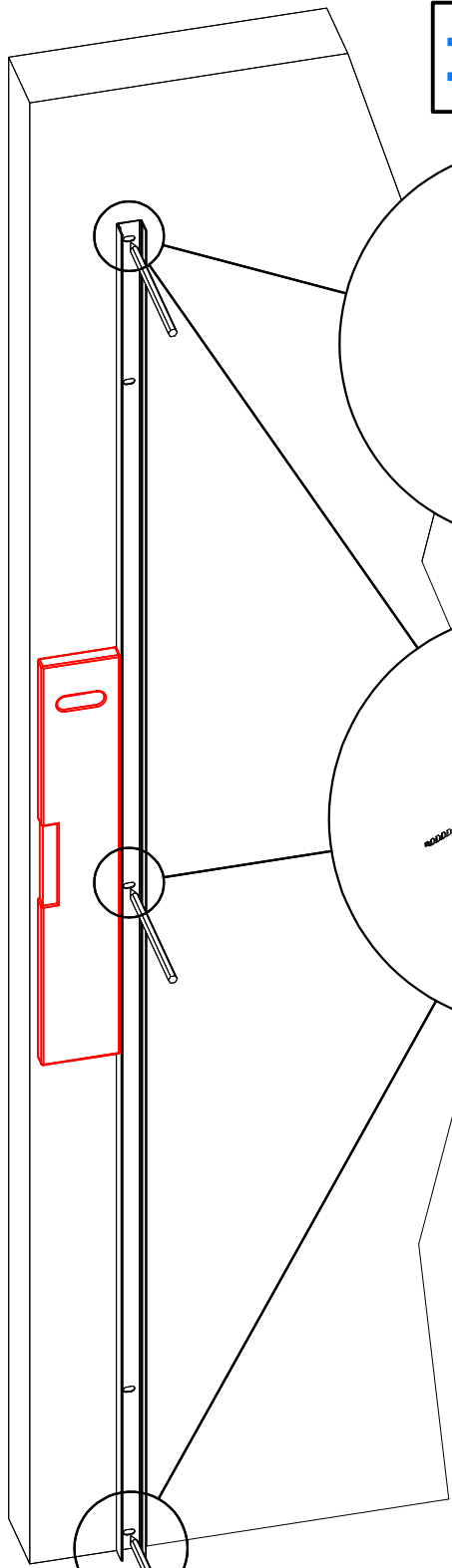
**1.1 → 1.2**



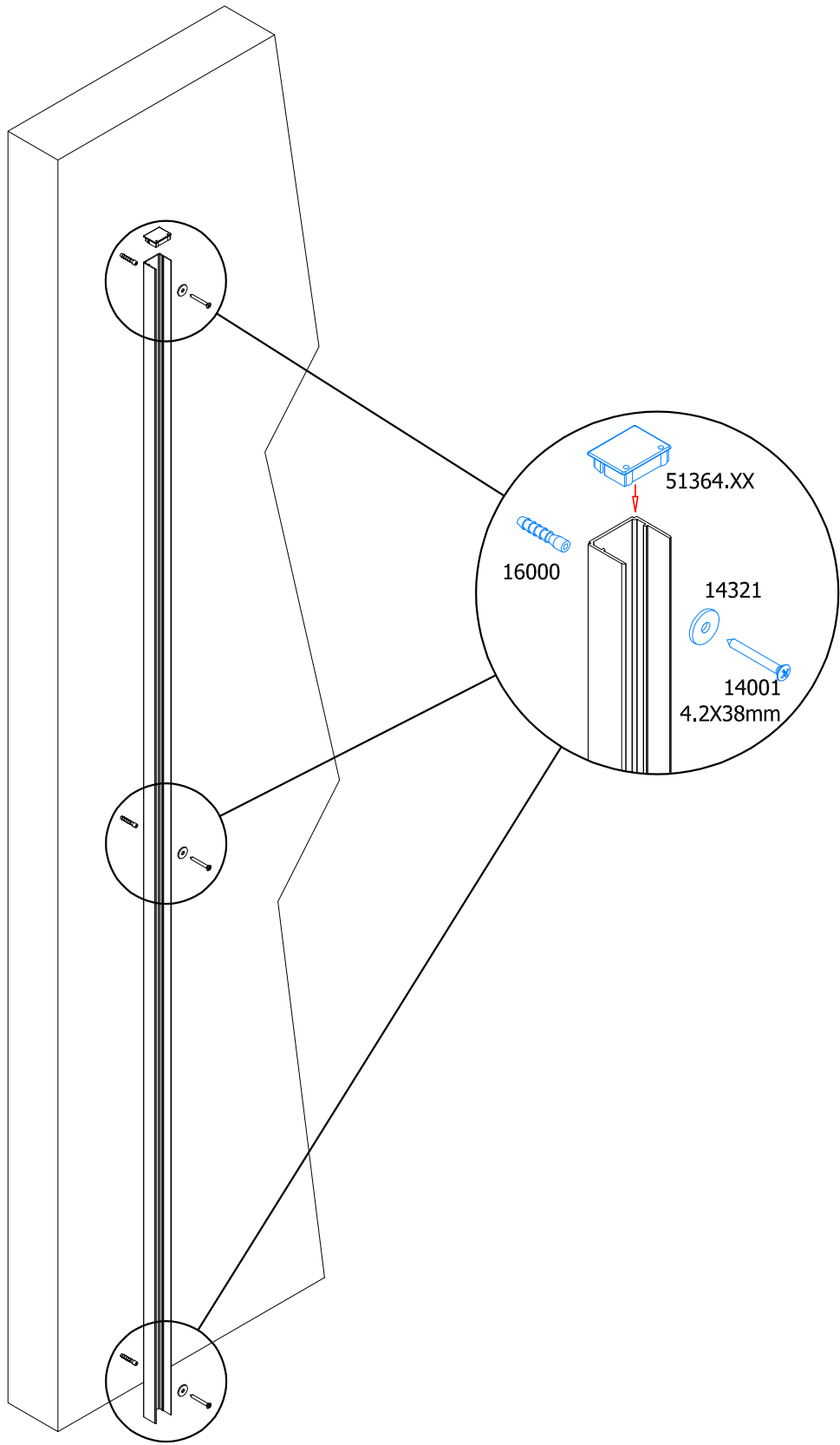
**1.1**



**1.2**

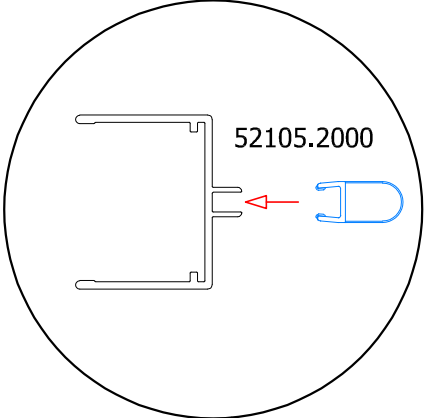


2.

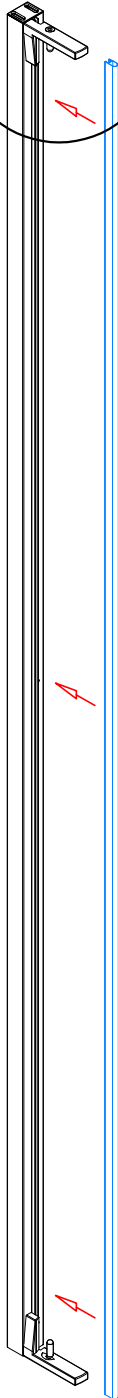
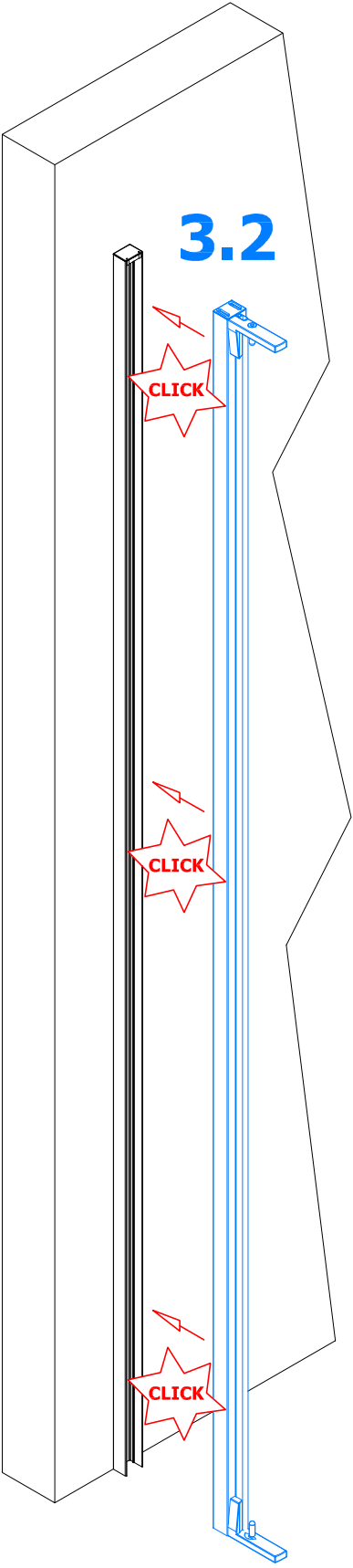
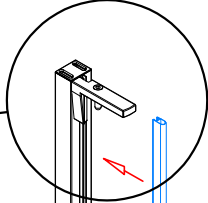
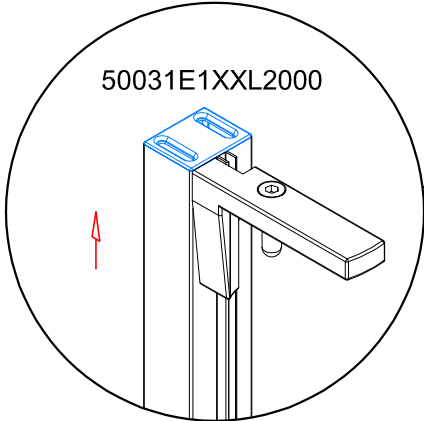




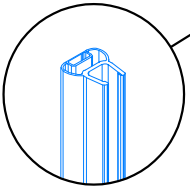
**3.1 → 3.2**



**3.1**



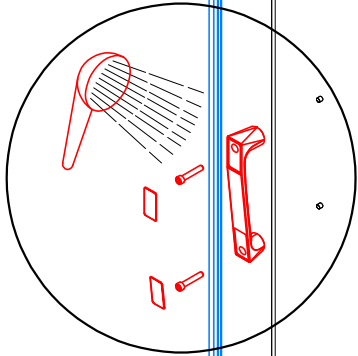
4.1 → 4.5



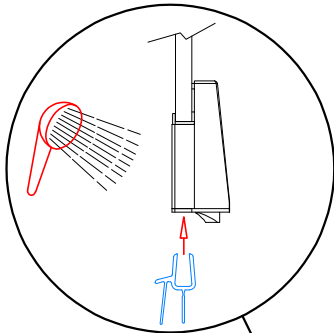
4.3



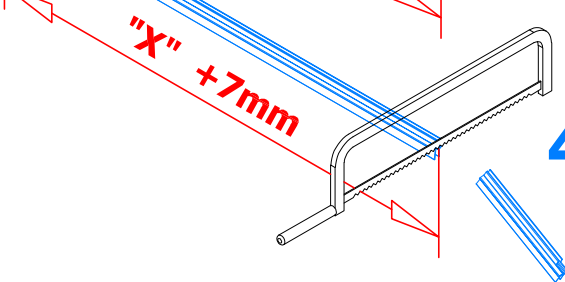
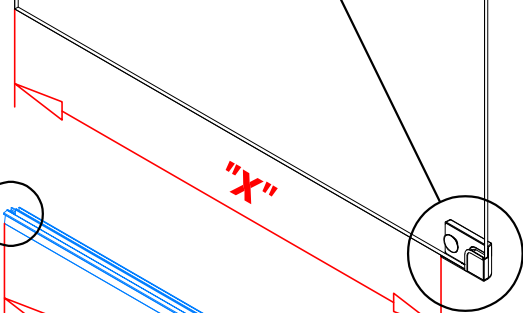
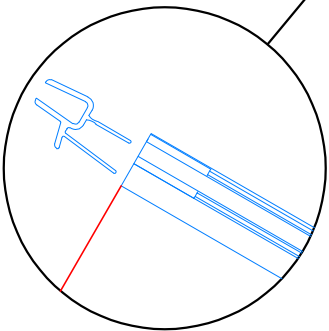
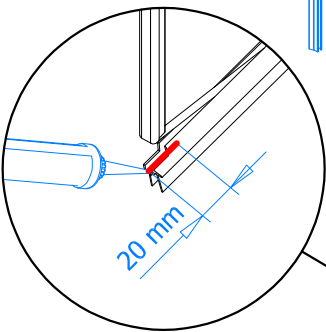
4.5



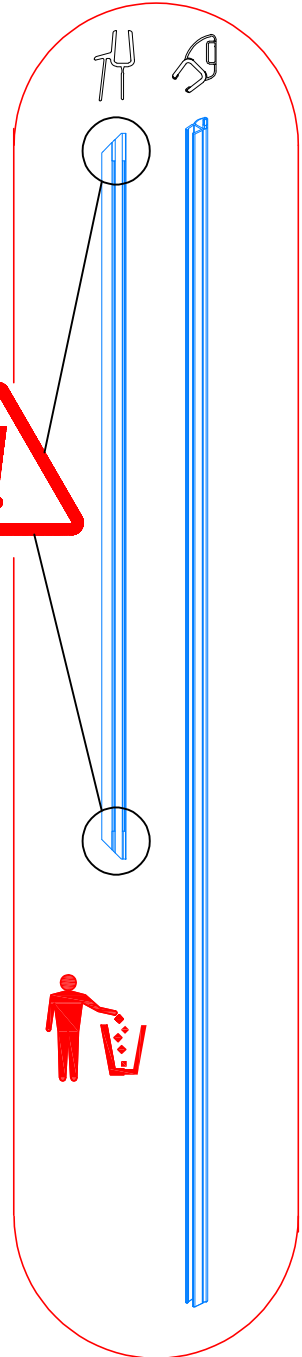
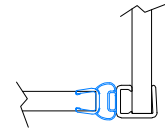
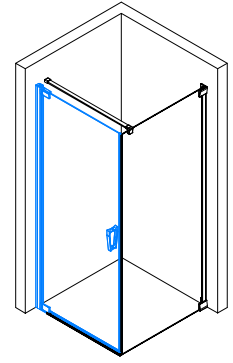
4.2



4.4

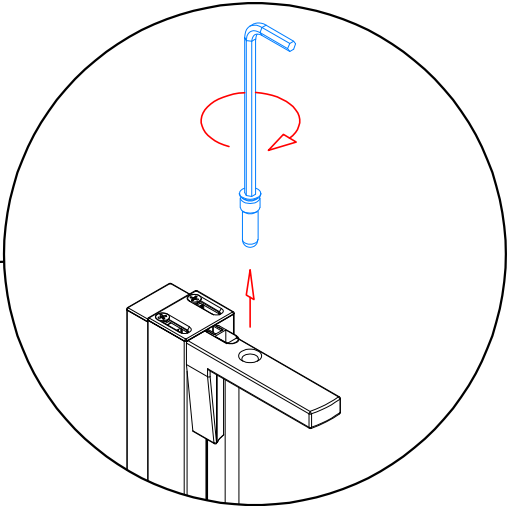


4.1

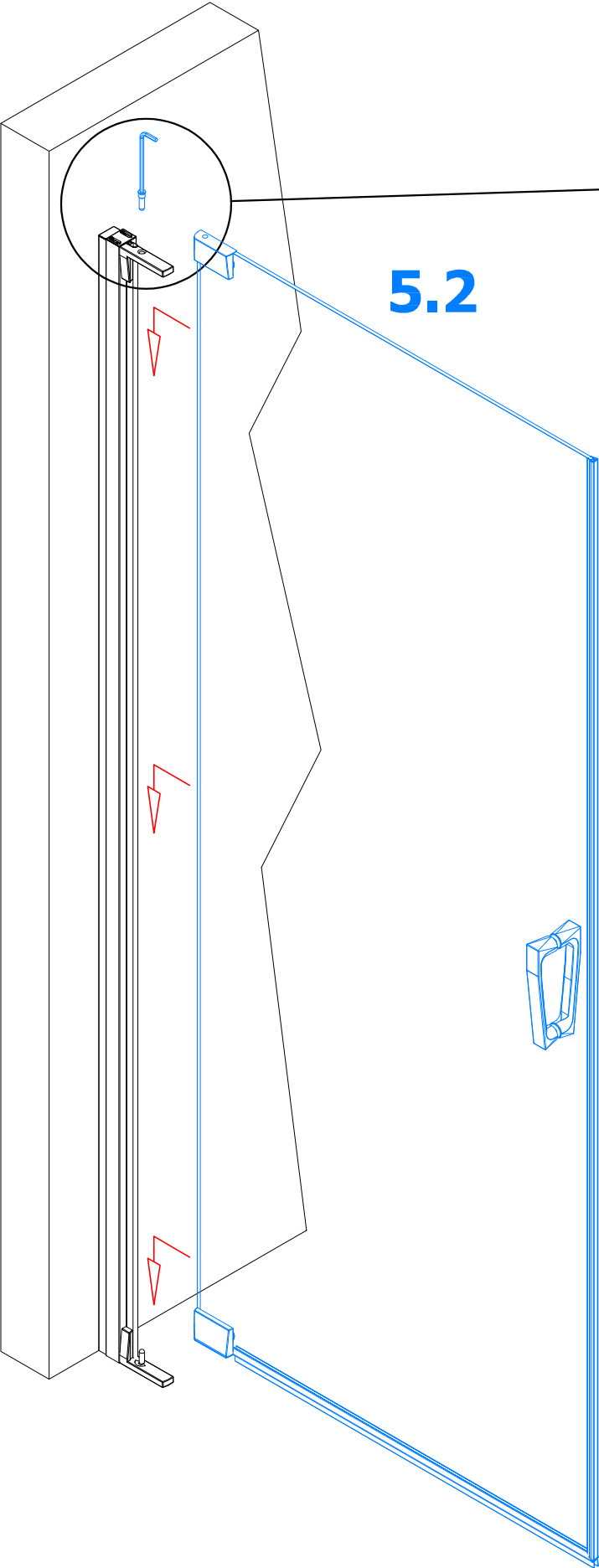


**5.1 → 5.3**

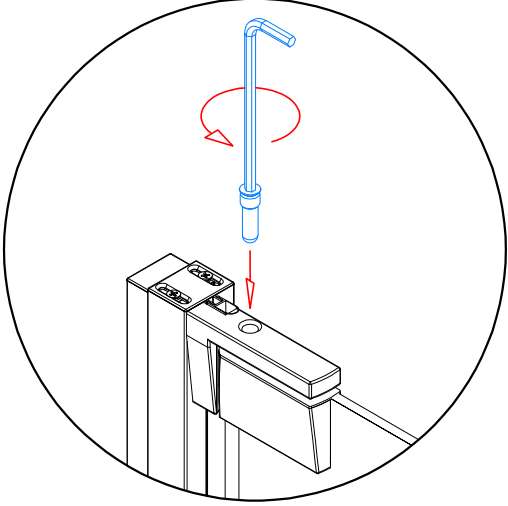
**5.1**



**5.2**

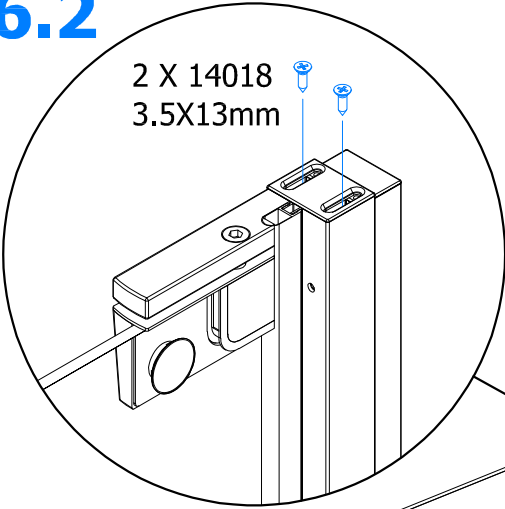


**5.3**

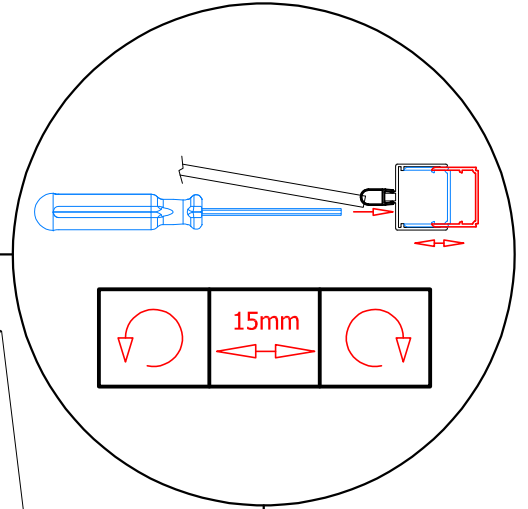


**6.2**

2 X 14018  
3.5X13mm



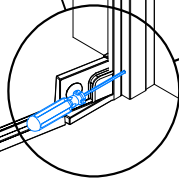
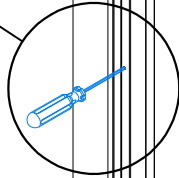
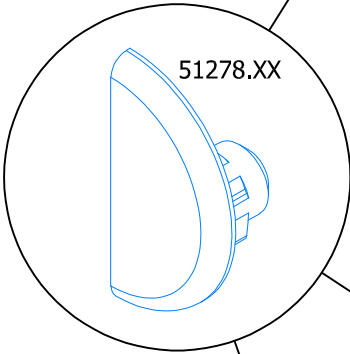
**6.1 → 6.3**



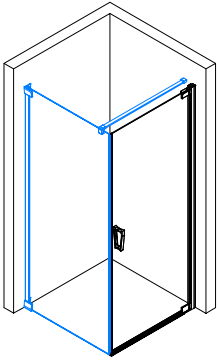
**6.1**

**6.3**

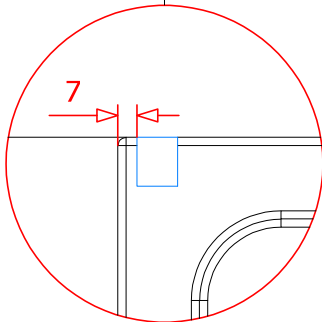
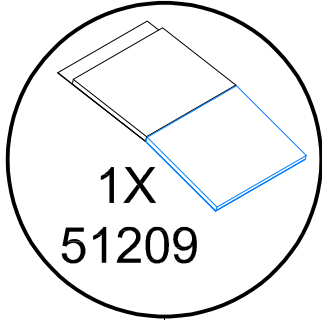
51278.XX



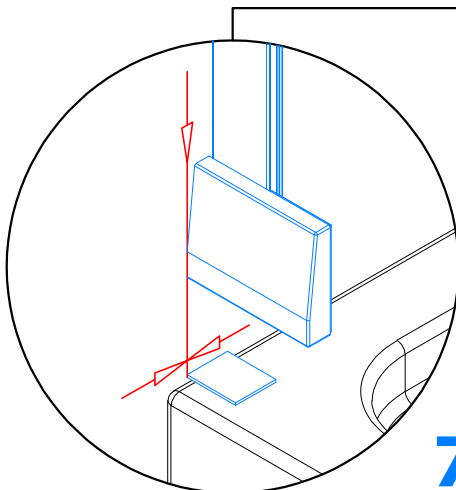
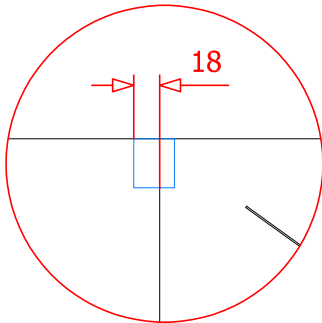
**7.1 → 7.4**



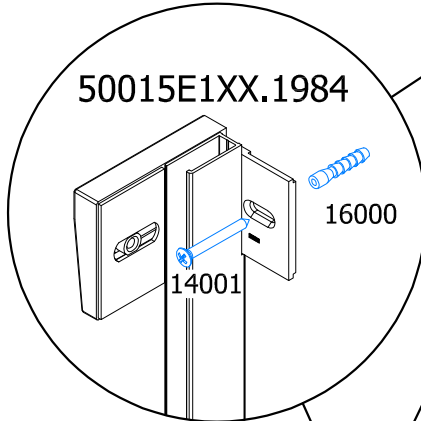
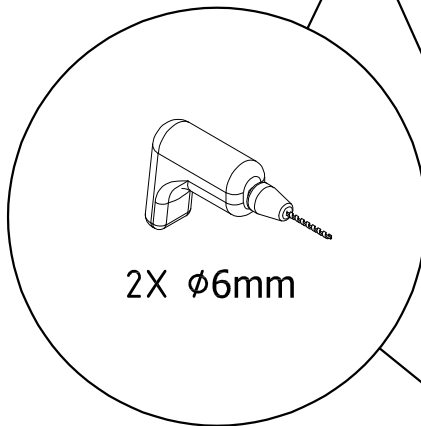
**7.1**



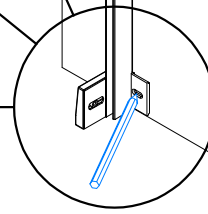
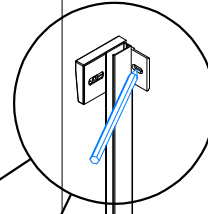
 → p.15



**7.3**



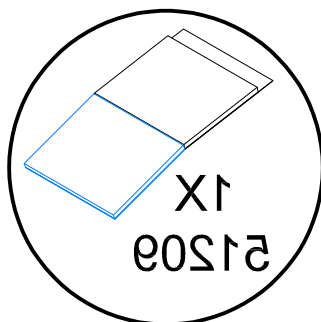
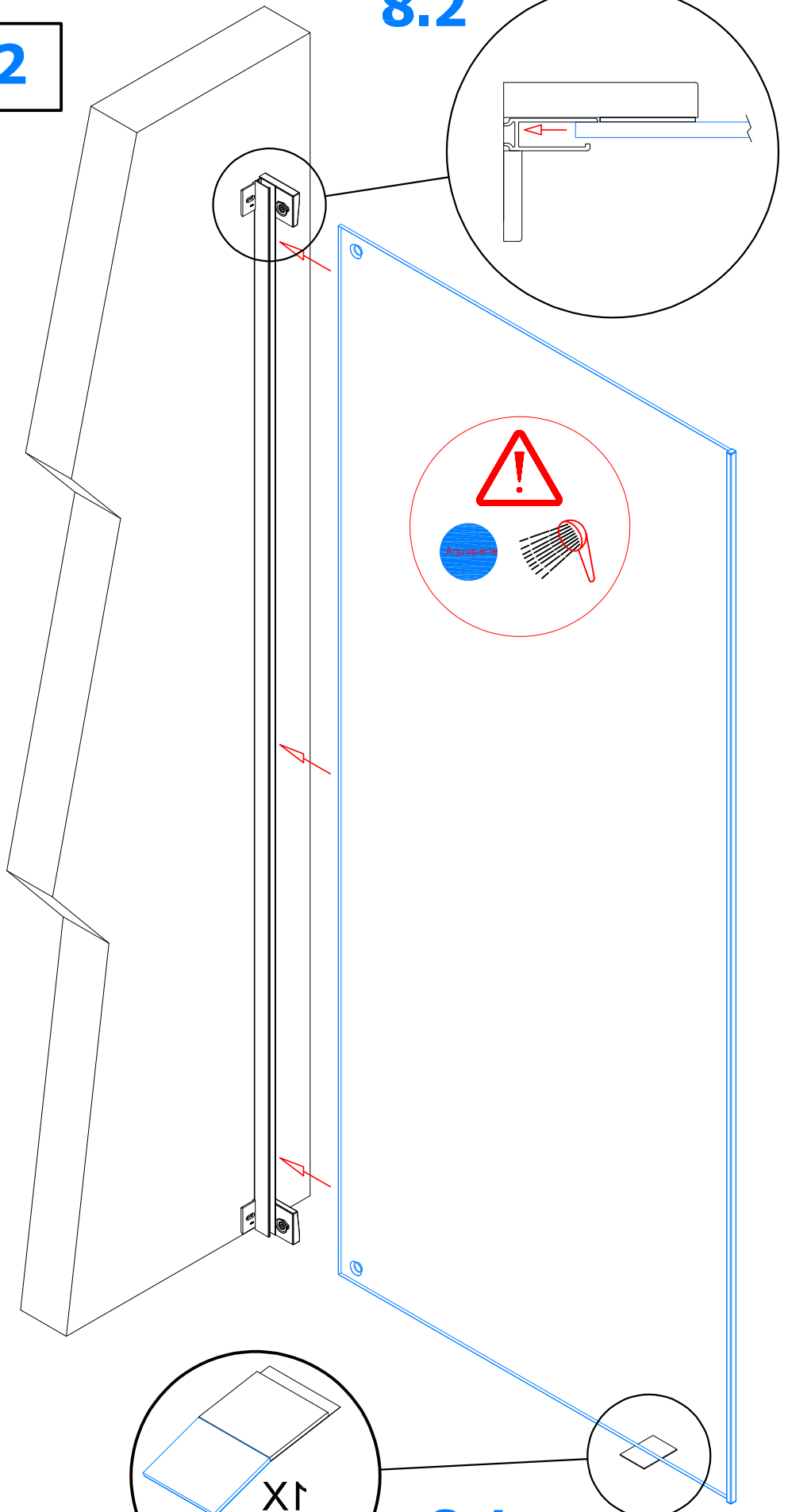
**7.4**



**7.2**

8.1 → 8.2

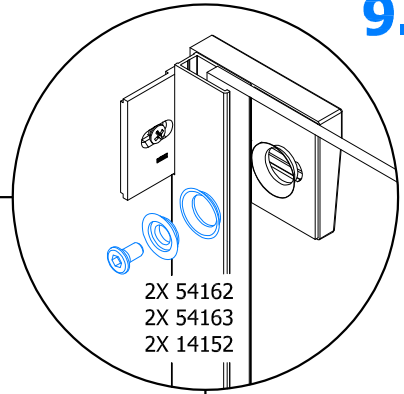
8.2



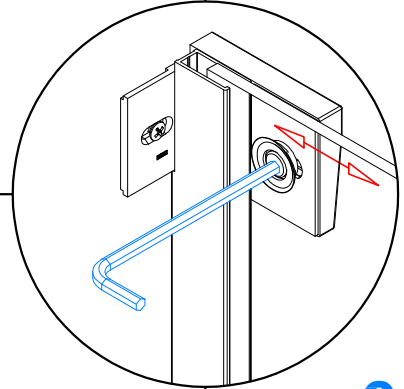
8.1

**9.1 → 9.4**

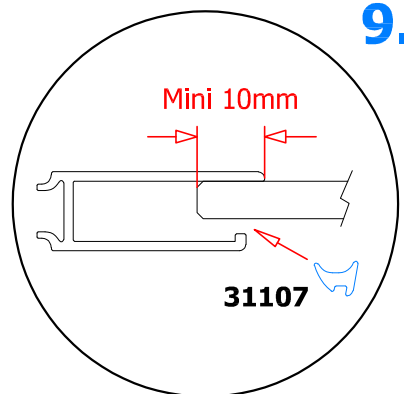
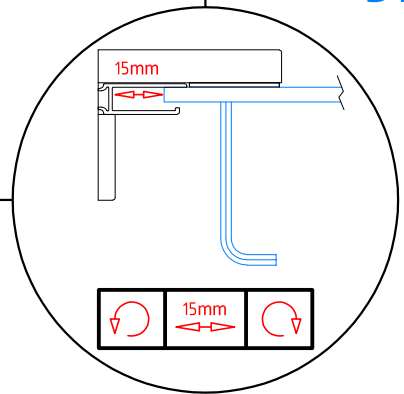
**9.1**



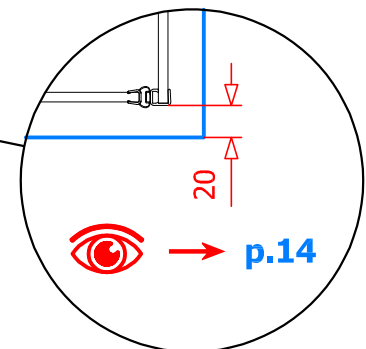
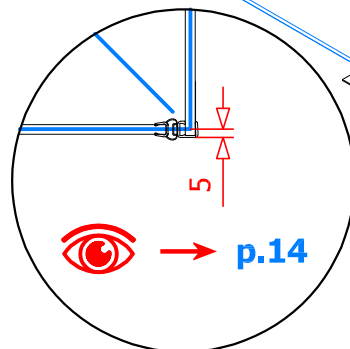
**9.3**



**9.4**

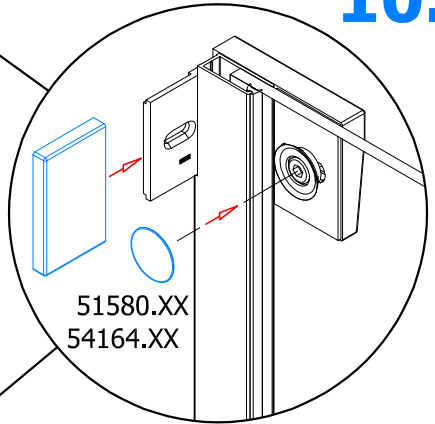


**9.2**

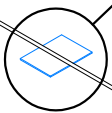
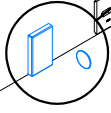
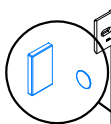
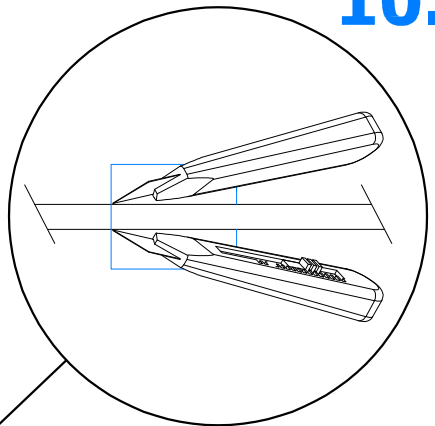


**10.1 → 10.2**

**10.1**



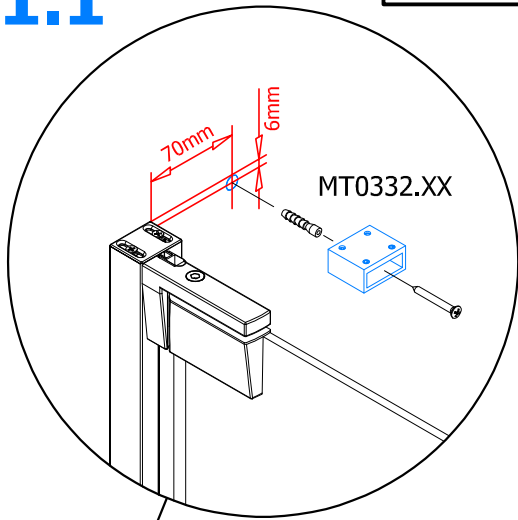
**10.2**



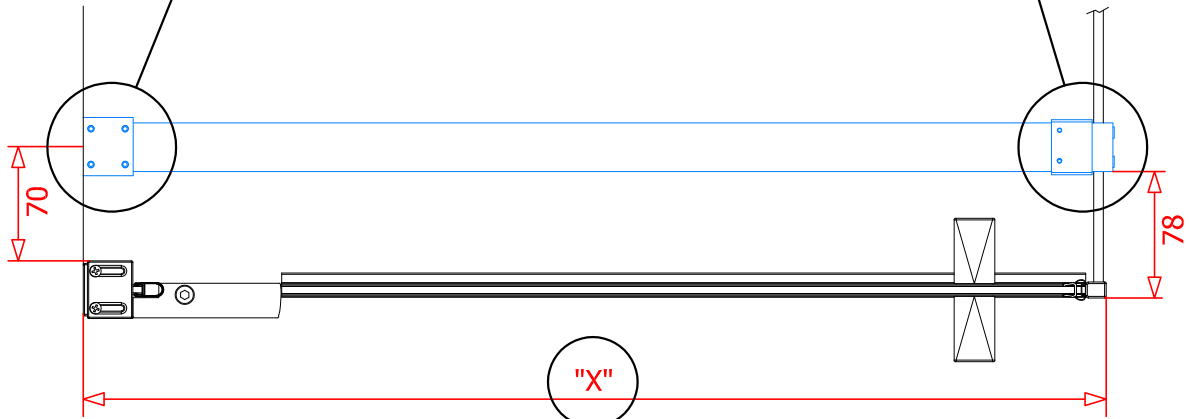
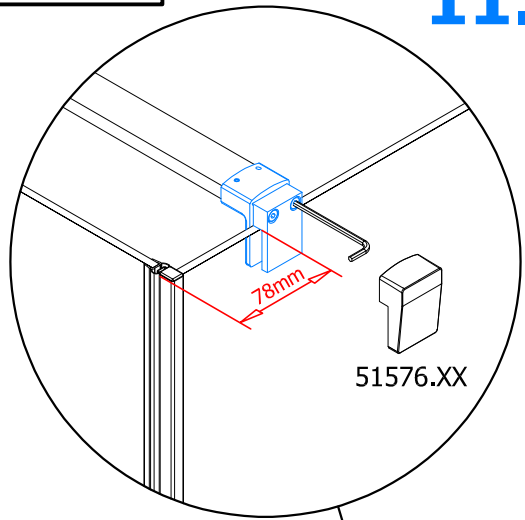


**11.1 → 11.4**

**11.1**

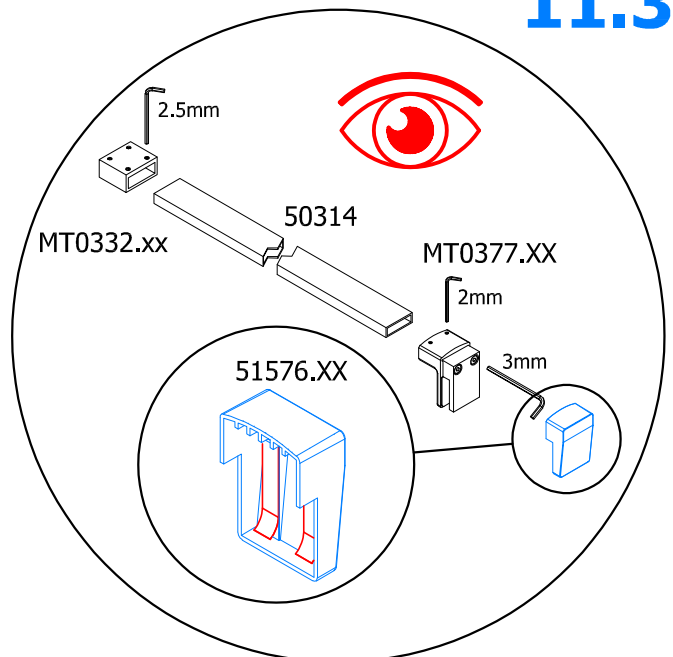
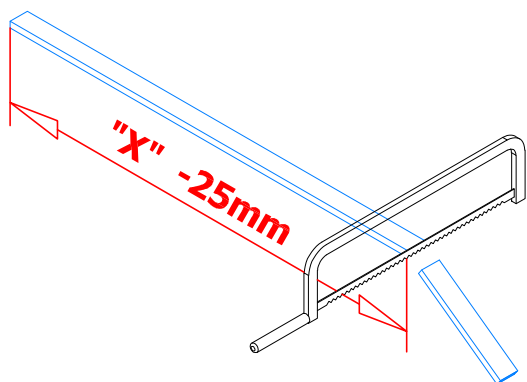


**11.4**

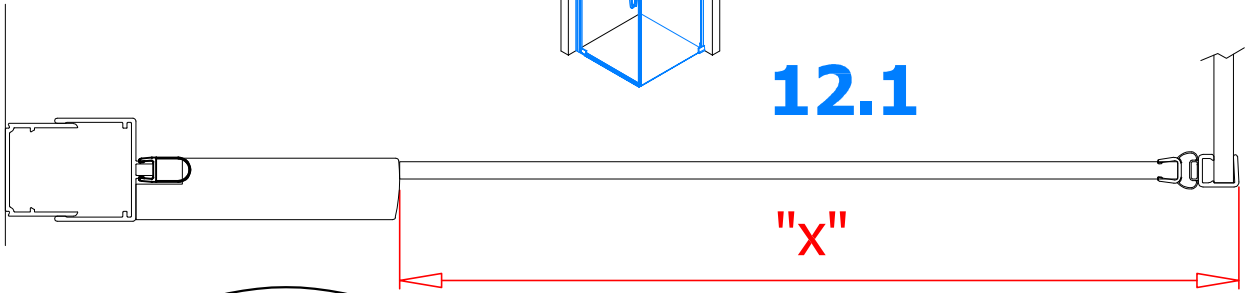
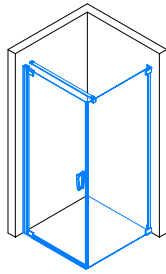


**11.2**

**11.3**

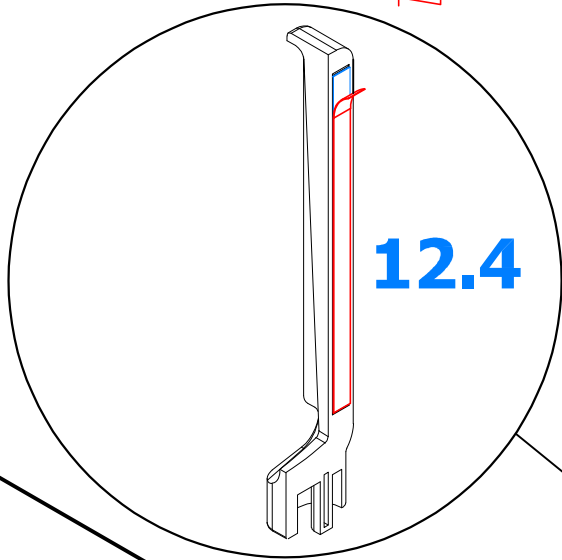


**12.1 → 12.6**

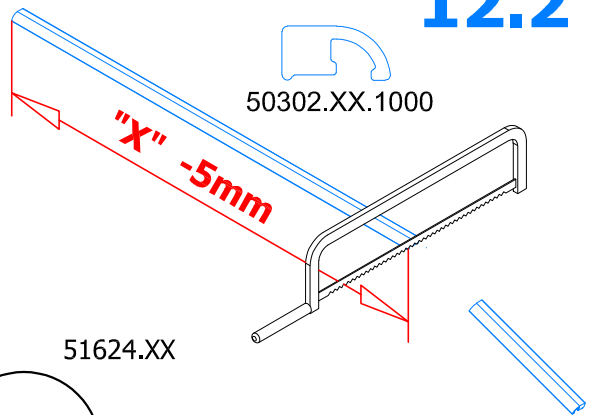


**12.1**

"X"



**12.4**

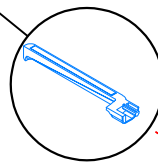


**12.2**

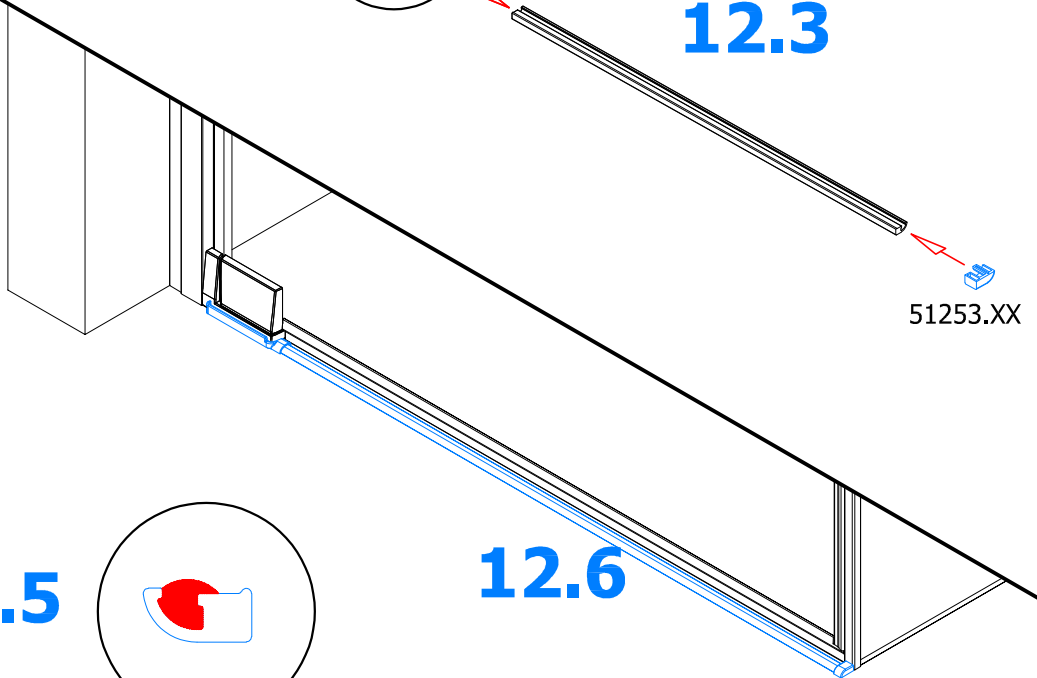
50302.XX.1000

"X" - 5mm

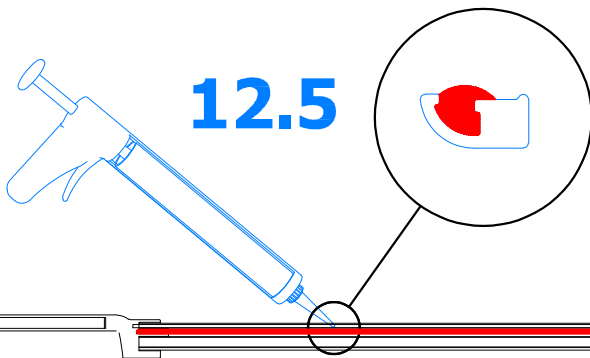
51624.XX



**12.3**



51253.XX

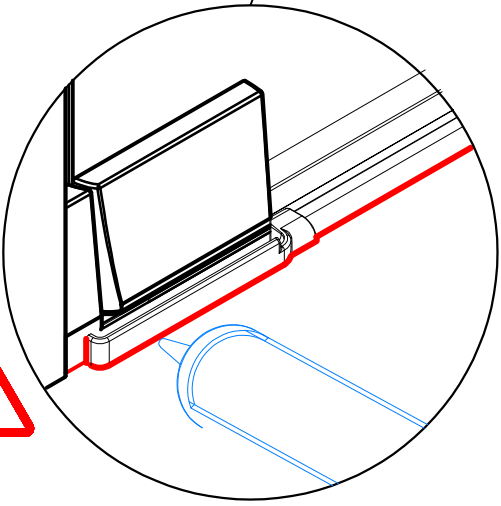
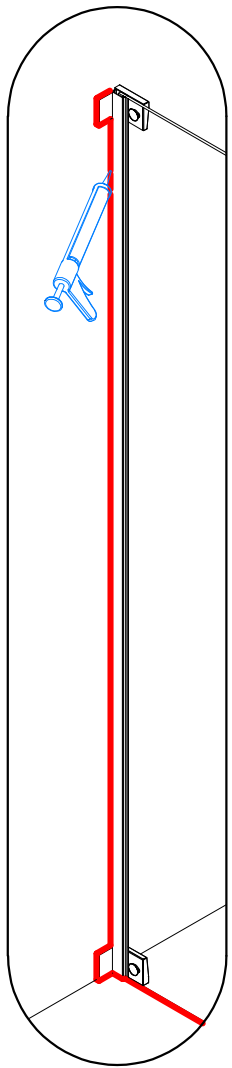
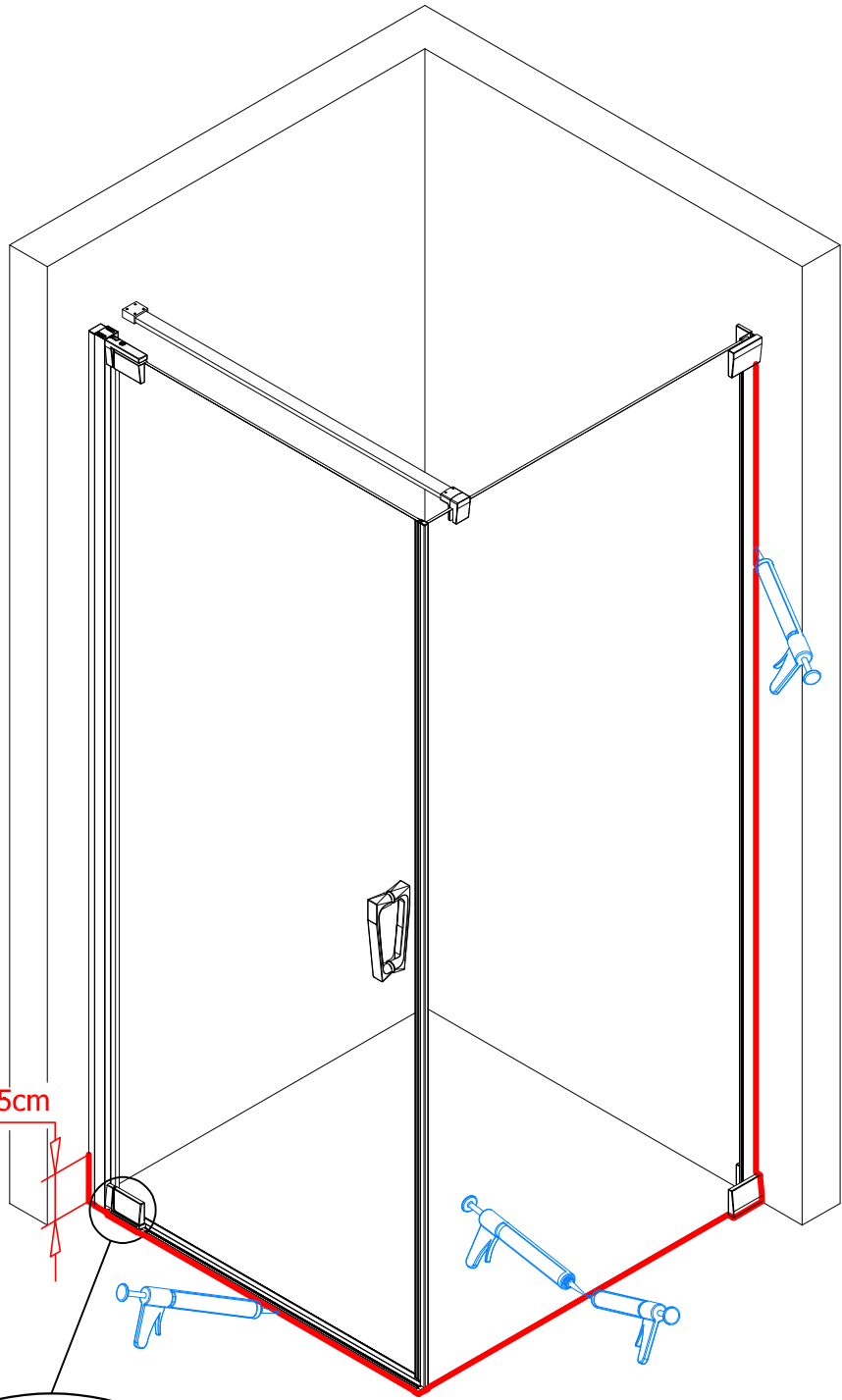
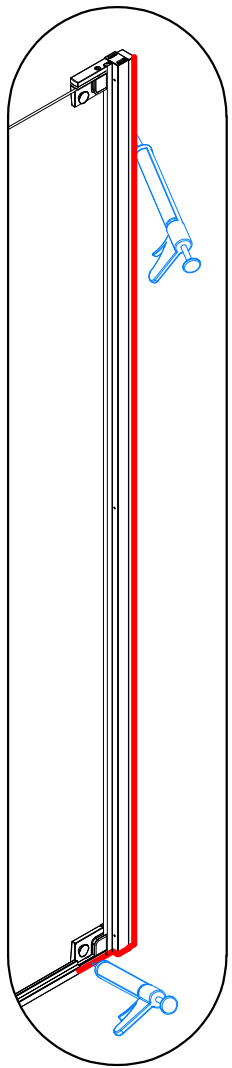


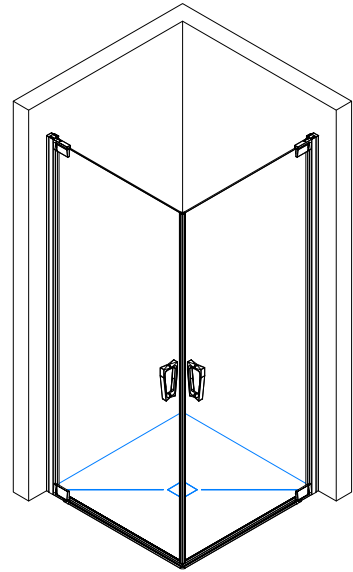
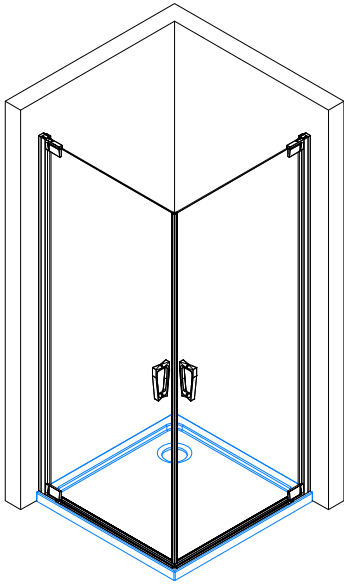
**12.5**

**12.6**

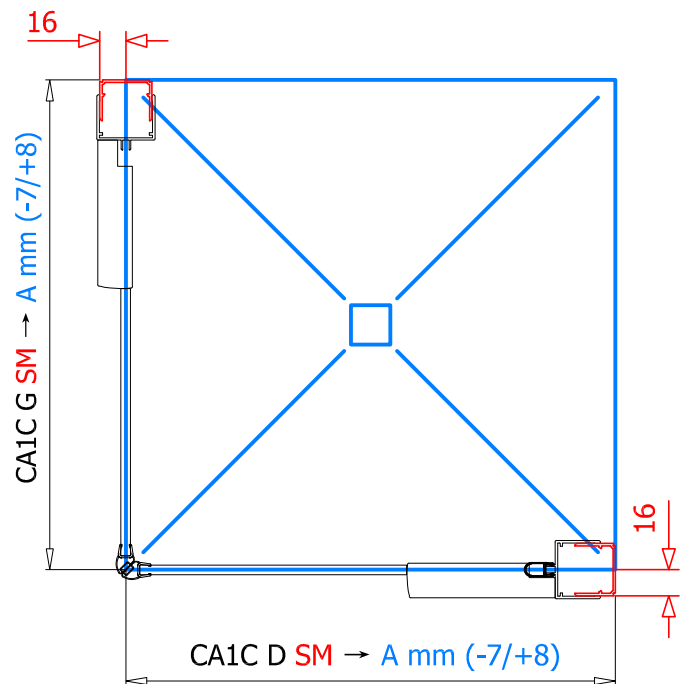
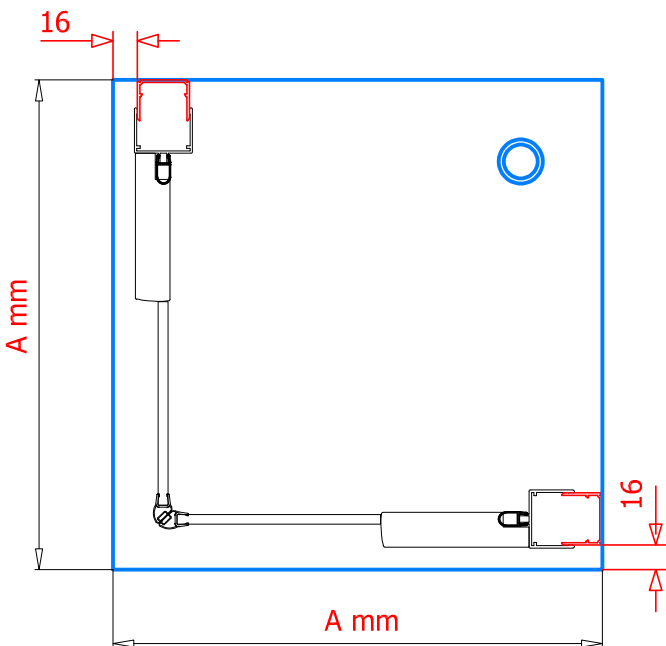
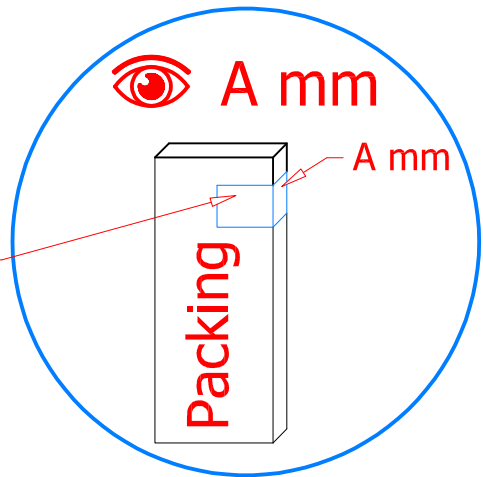


13.





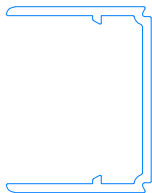
- CA1C D → A mm = (-15/+0)
- CA1C G → A mm = (-15/+0)
- CA1C D SM → A mm = (-7/+8)
- CA1C G SM → A mm = (-7/+8)



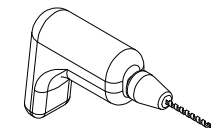
1.1 → 1.2

1.1

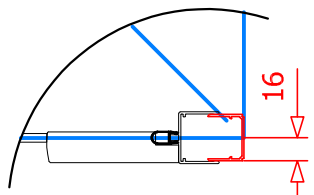
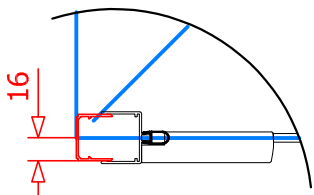
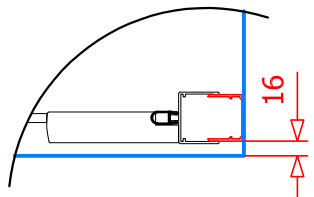
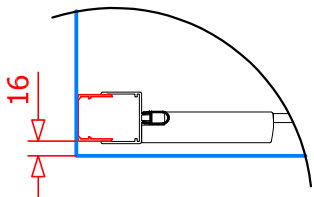
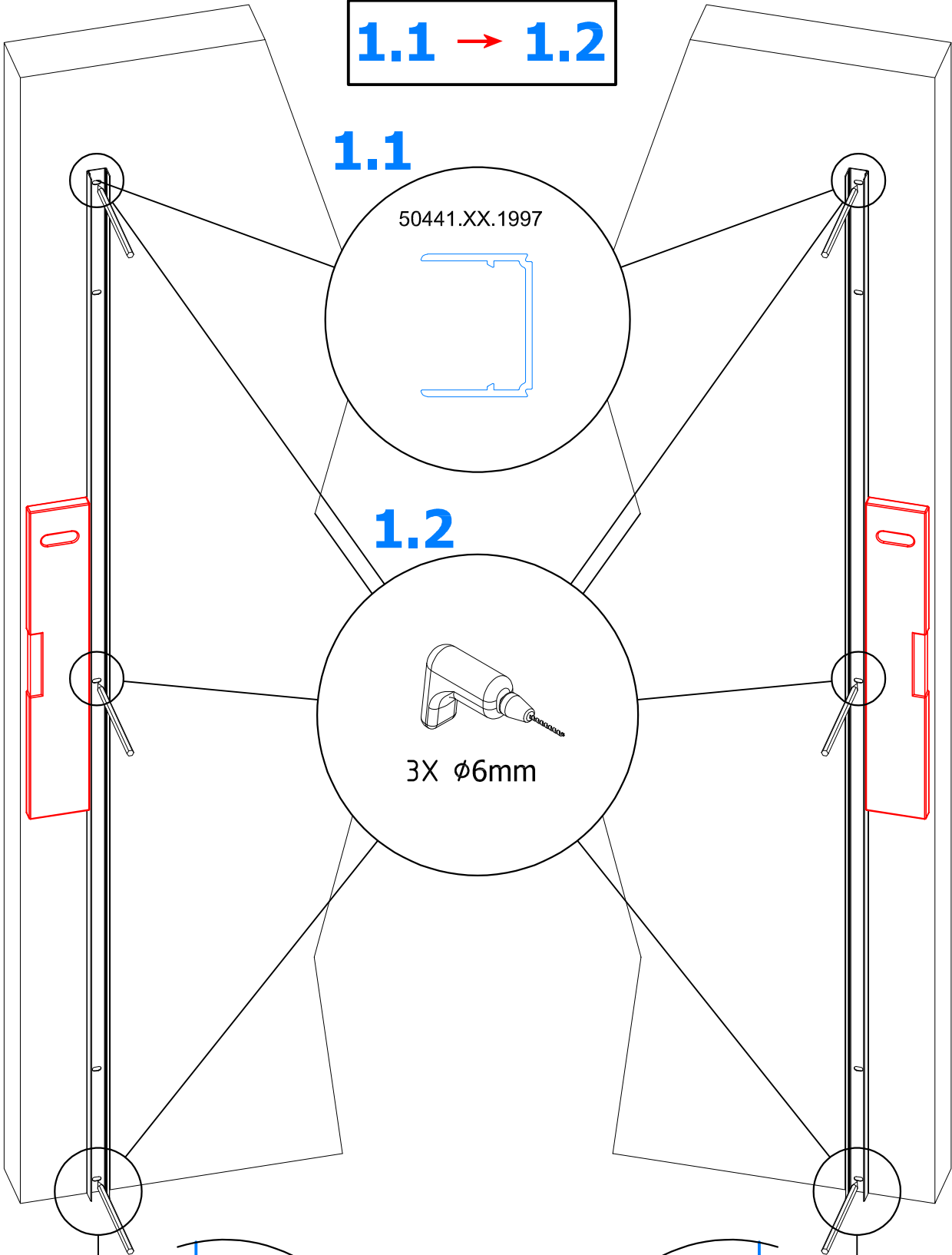
50441.XX.1997



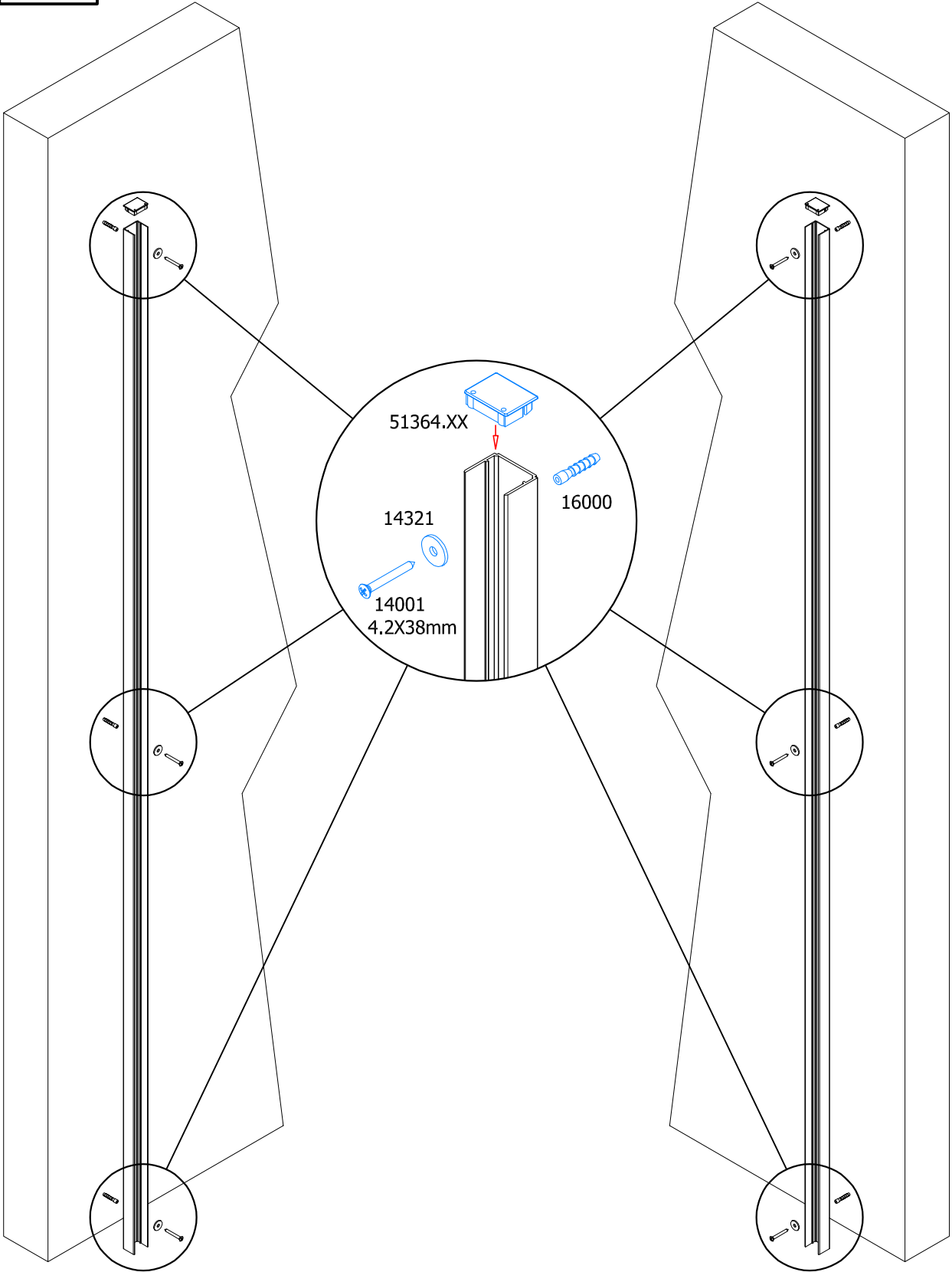
1.2



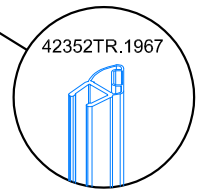
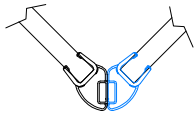
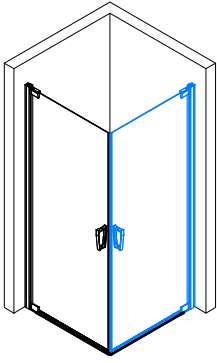
3X  $\phi 6\text{mm}$



2.

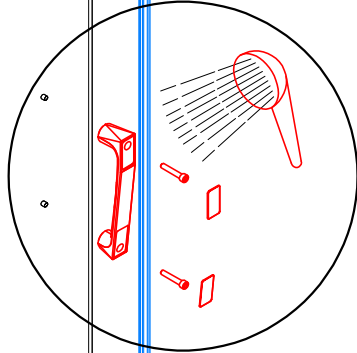


**3.1 → 3.5**

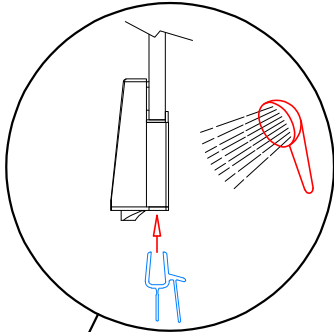


**3.3**

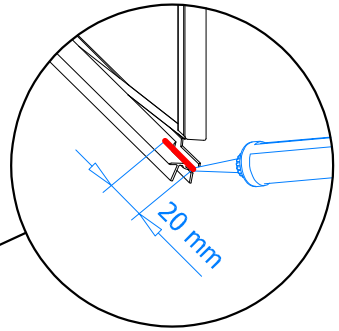
**3.5**



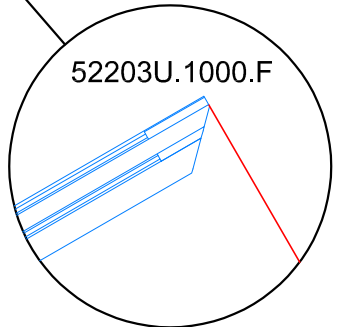
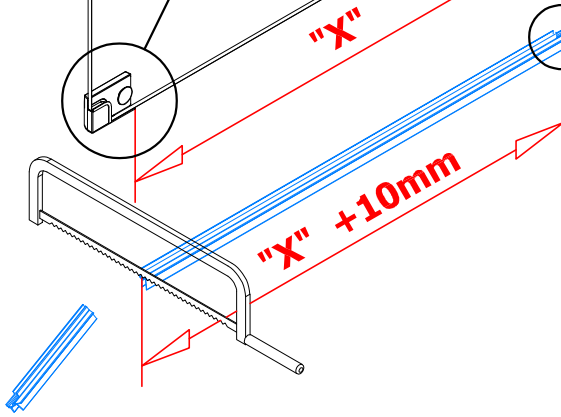
**3.2**



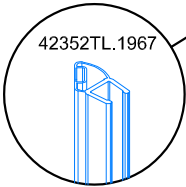
**3.4**



**3.1**

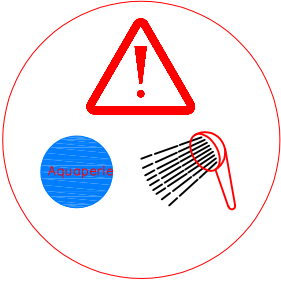
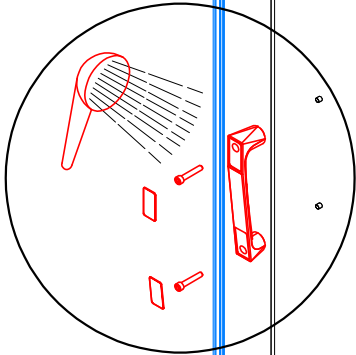


4.1 → 4.5

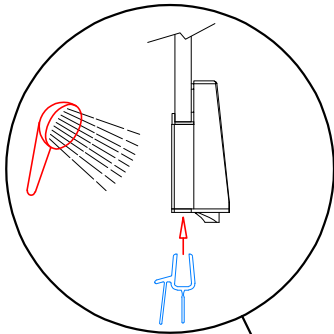


4.3

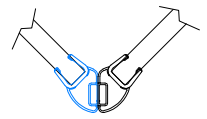
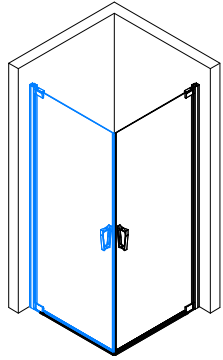
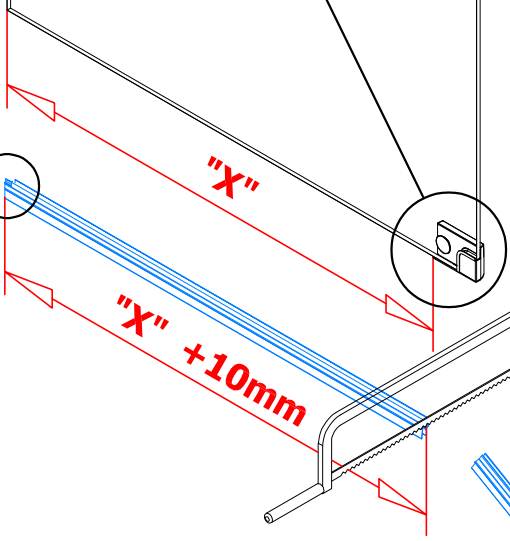
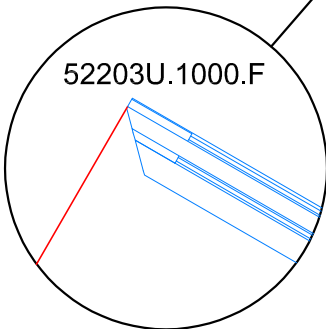
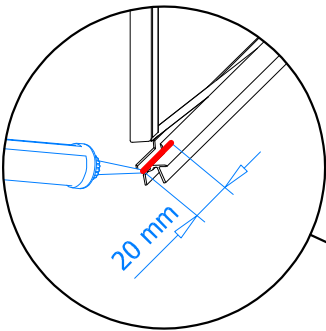
4.5



4.2



4.4

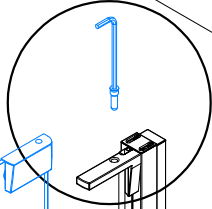
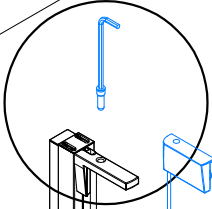
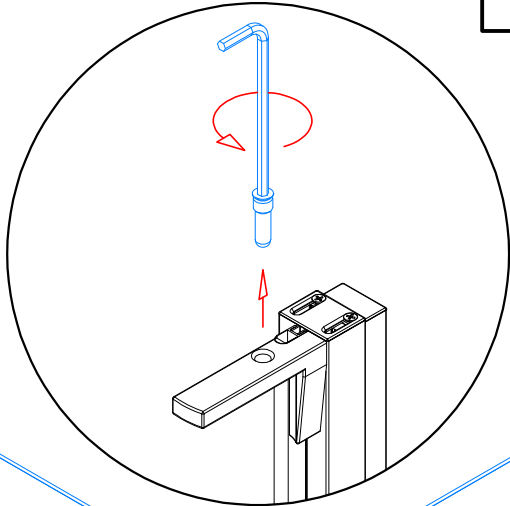


4.1

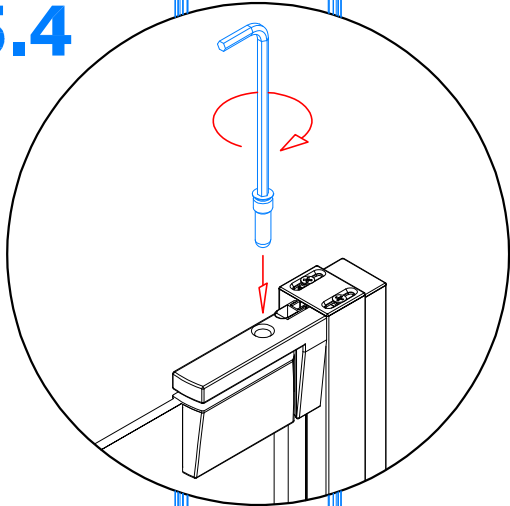


5.1

5.1 → 5.4

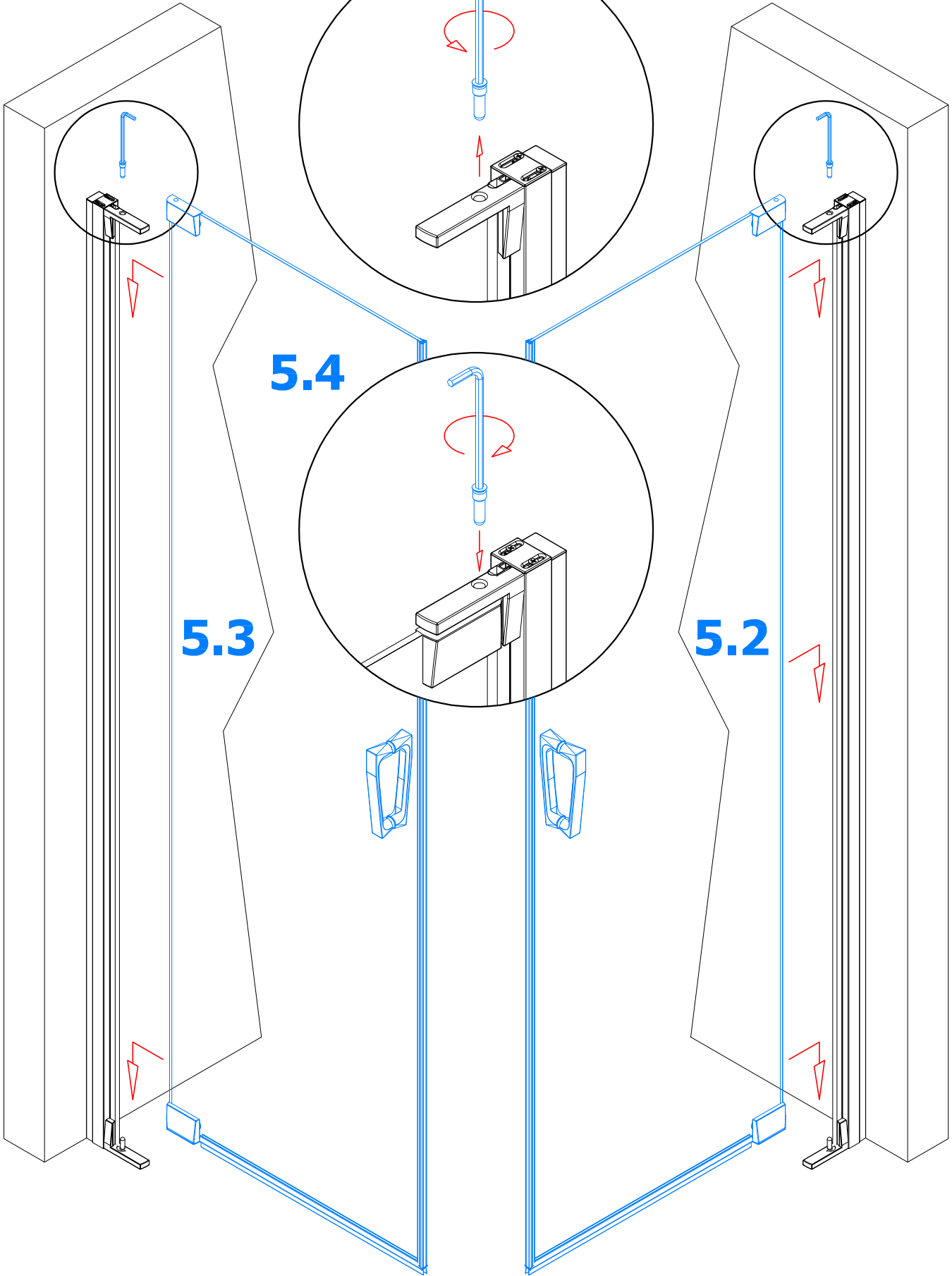


5.4



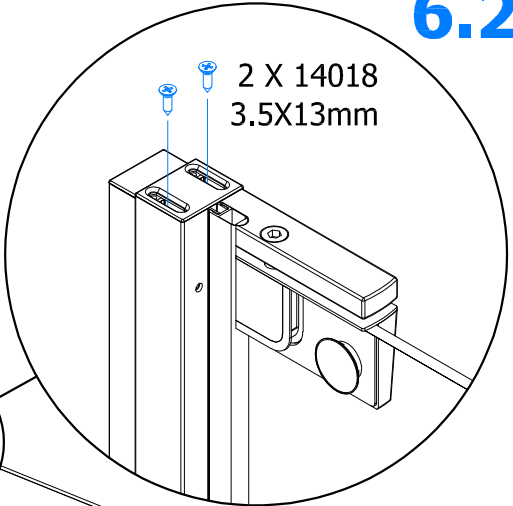
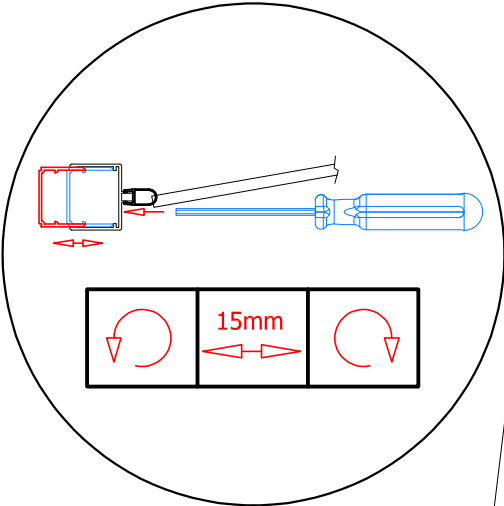
5.3

5.2



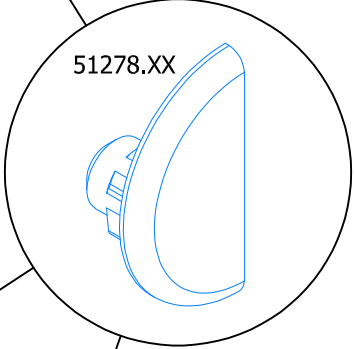
**6.1 → 6.3**

**6.2**



**6.1**

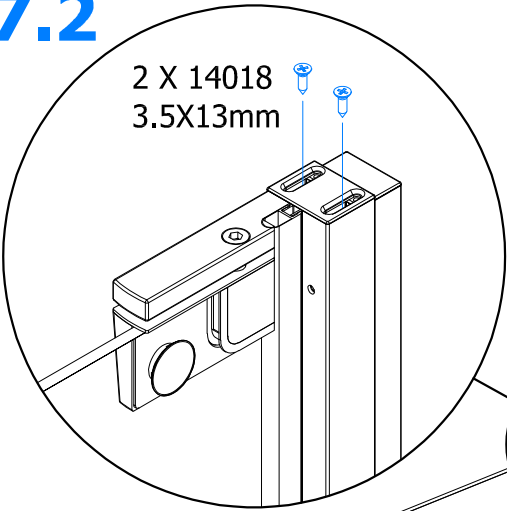
**6.3**



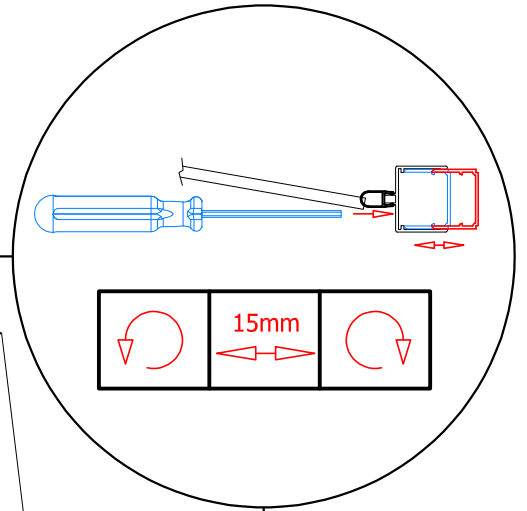
**6.3**

**7.2**

2 X 14018  
3.5X13mm



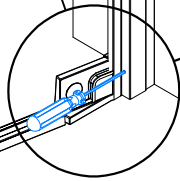
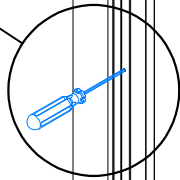
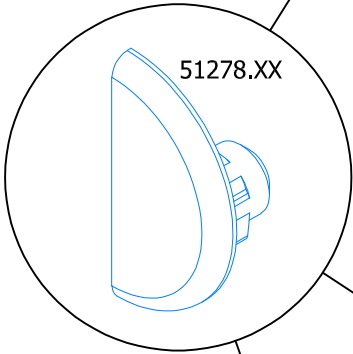
**7.1 → 7.3**



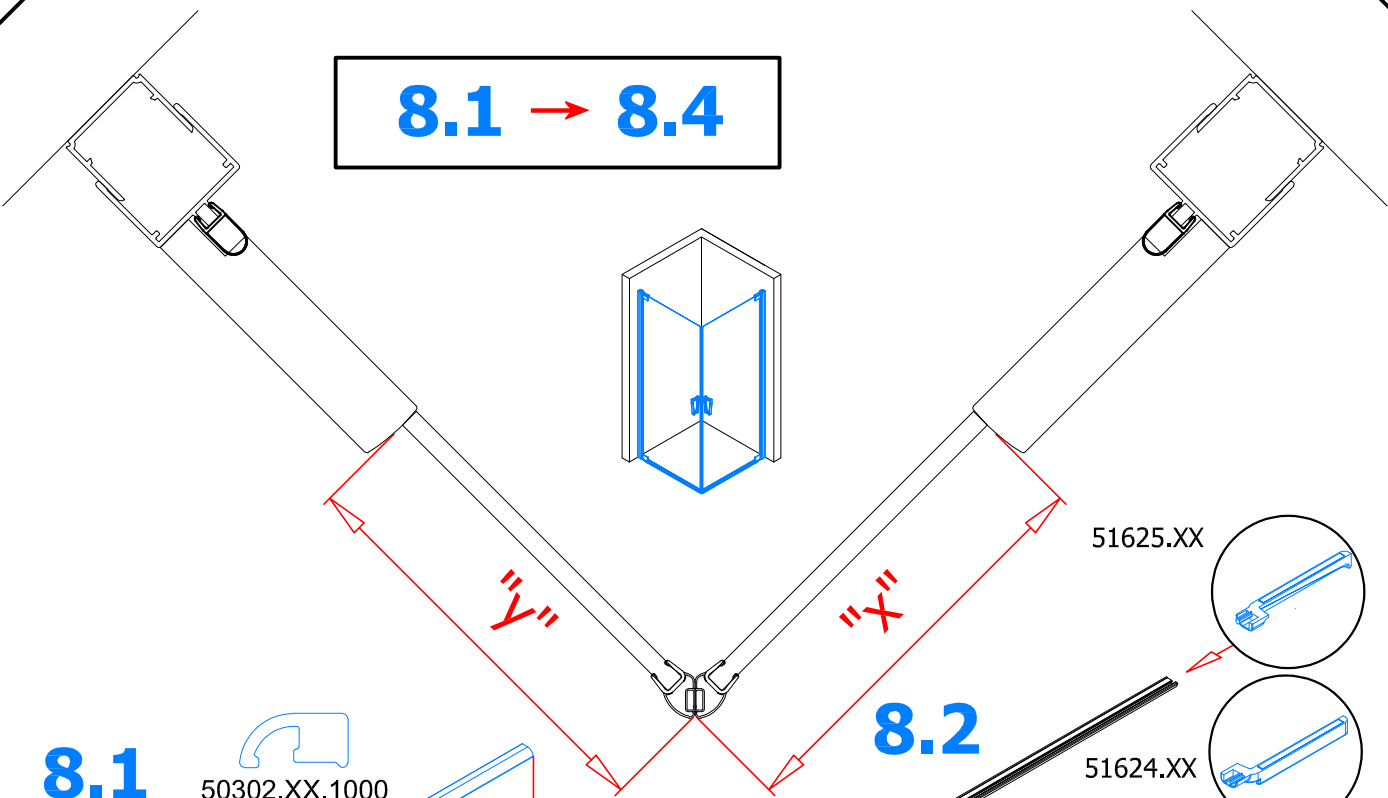
**7.1**

**7.3**

51278.XX

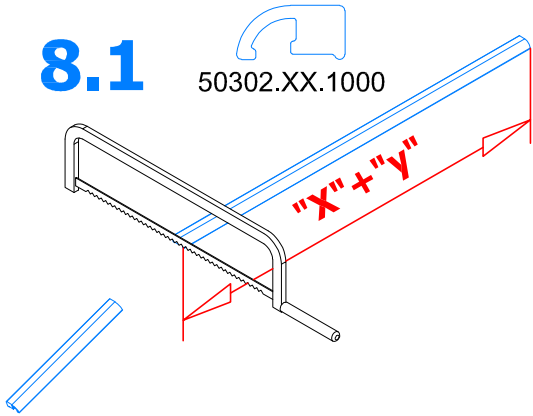


**8.1 → 8.4**

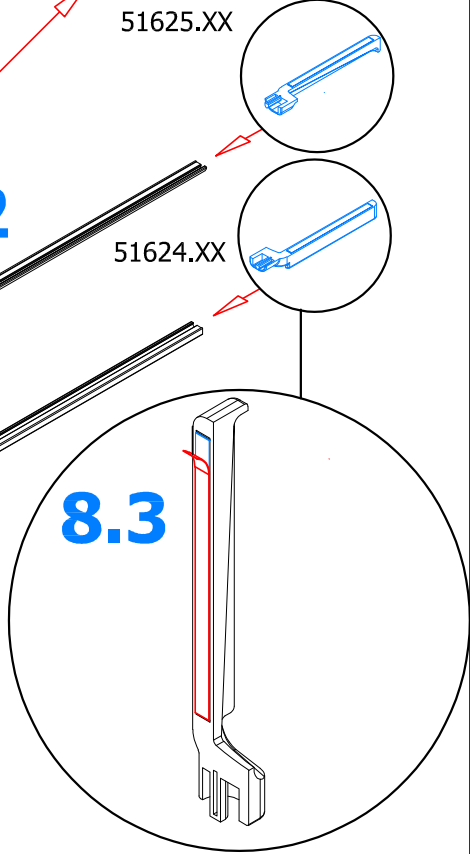


**8.1**

50302.XX.1000

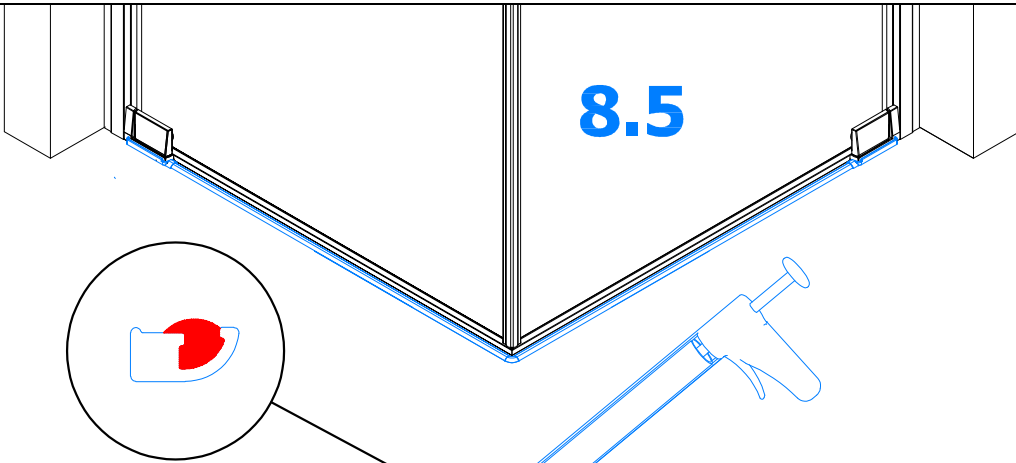


**8.2**

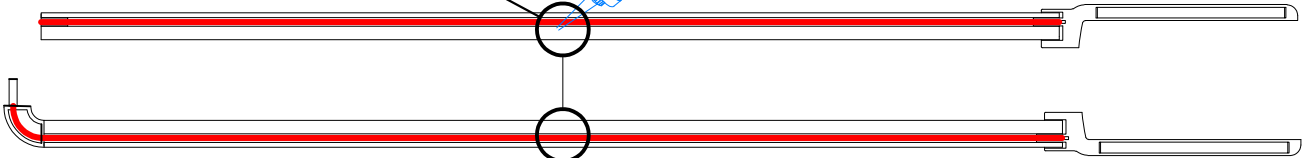


**8.3**

**8.5**



**8.4**



9.

