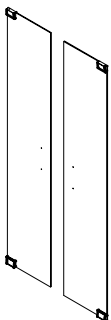
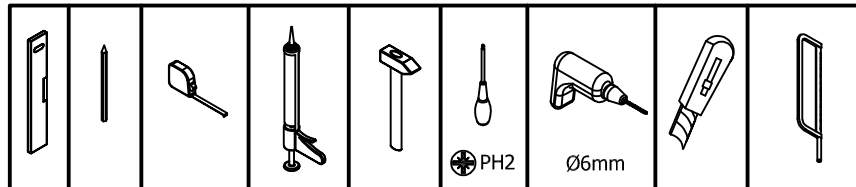
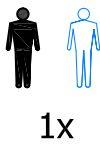
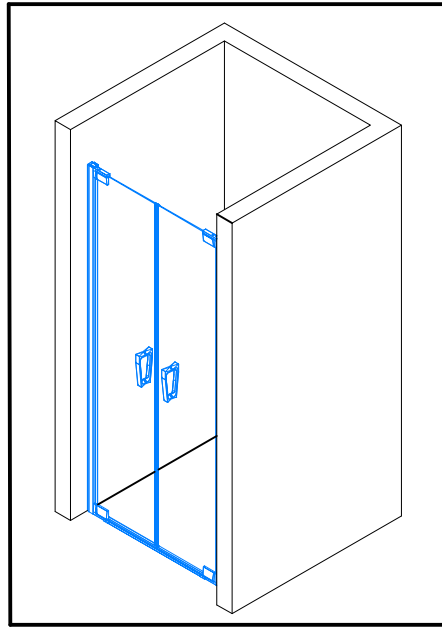






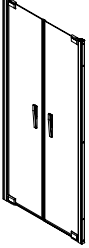
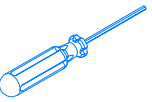



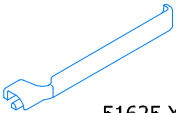
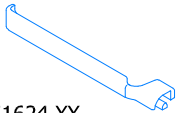



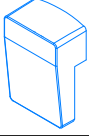


# 19614



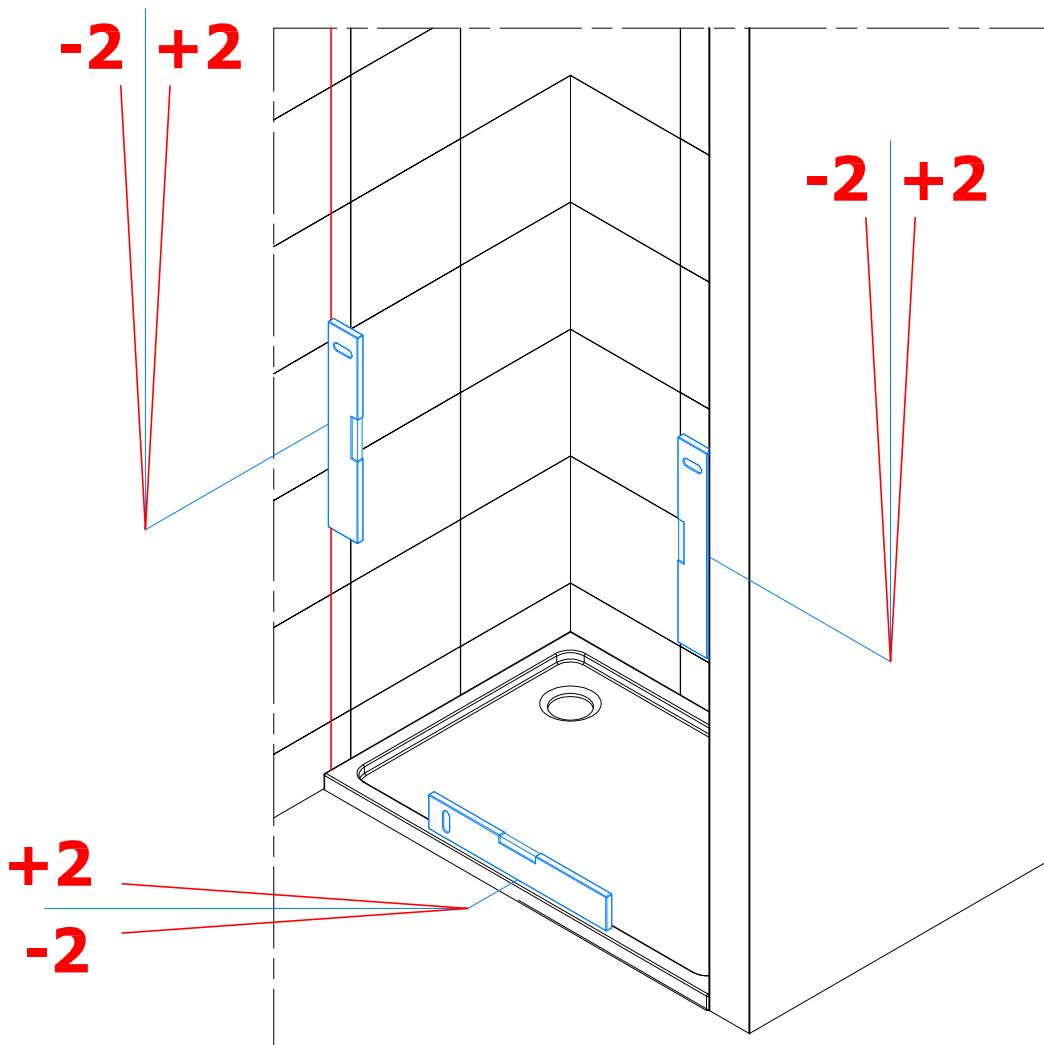
50031E1XXL2000 	50031E1XXR2000 	2 X 50441. 50.1997 	2X 52203U2 1000.F 	2X 42356.1967 	52105. 2000 	2X MT0382.10 	
							1 x 50302. XX.1200 

 1 x 11221	 6 x 14001 4.2X38mm	 6 X 14321
 6 x 16000 ø 6mm	 4 X 14018 3.5X13mm	 2X 51364.10
	 17218	 17156 - 5mm
	 4 X 54164.10	 6X 51278.10

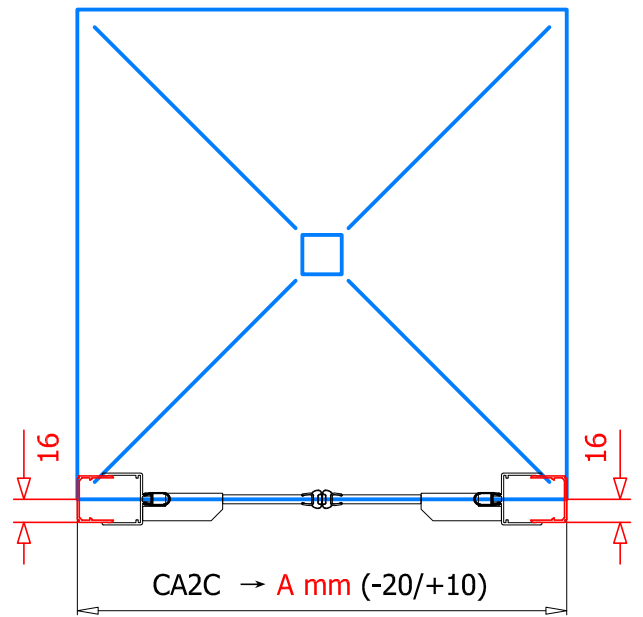
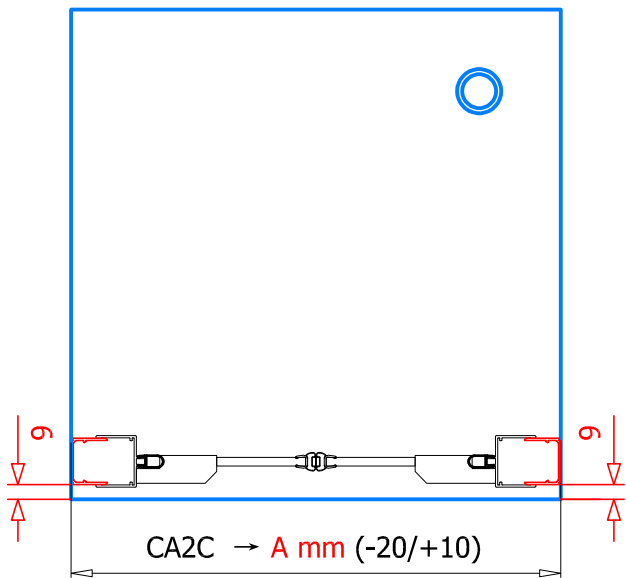
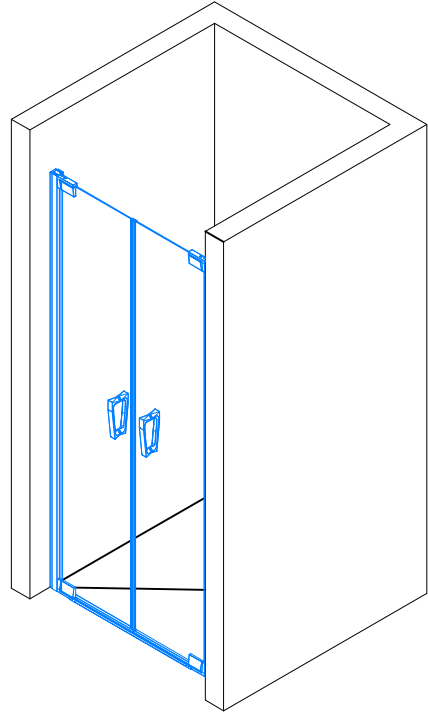
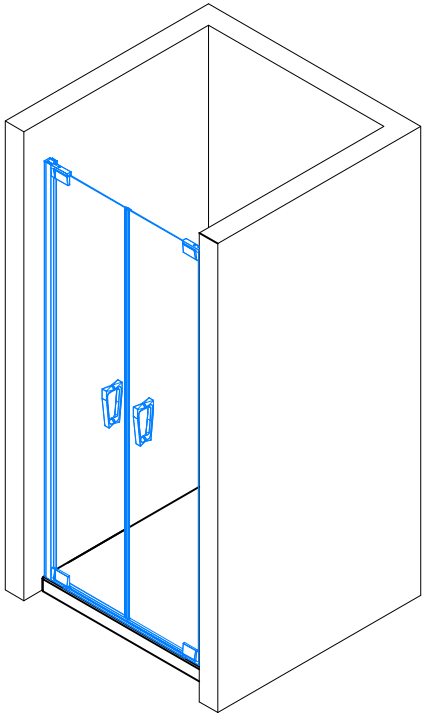
SM.CA.XX	
 51625.XX	 51624.XX
 51253.XX	 51254.XX
 51348.XX	 51576.XX



**MAX ±2mm/800mm**



 → p.4 → p12

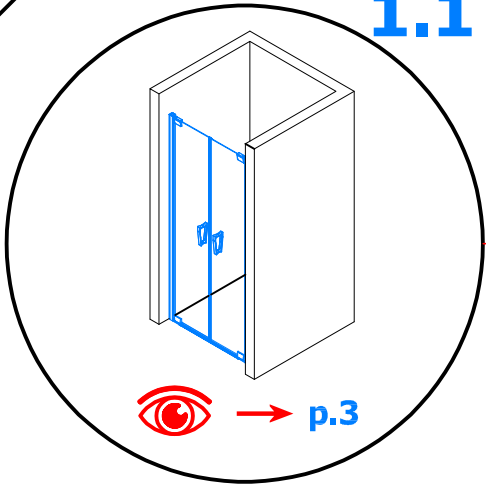


CA2C SM → A mm (-20/+10)



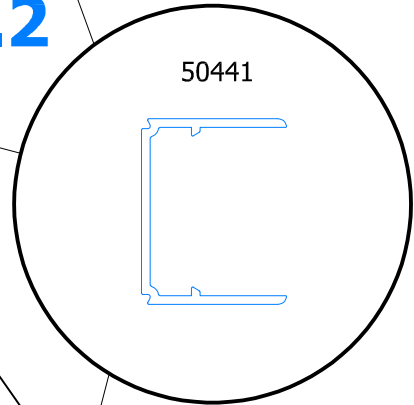
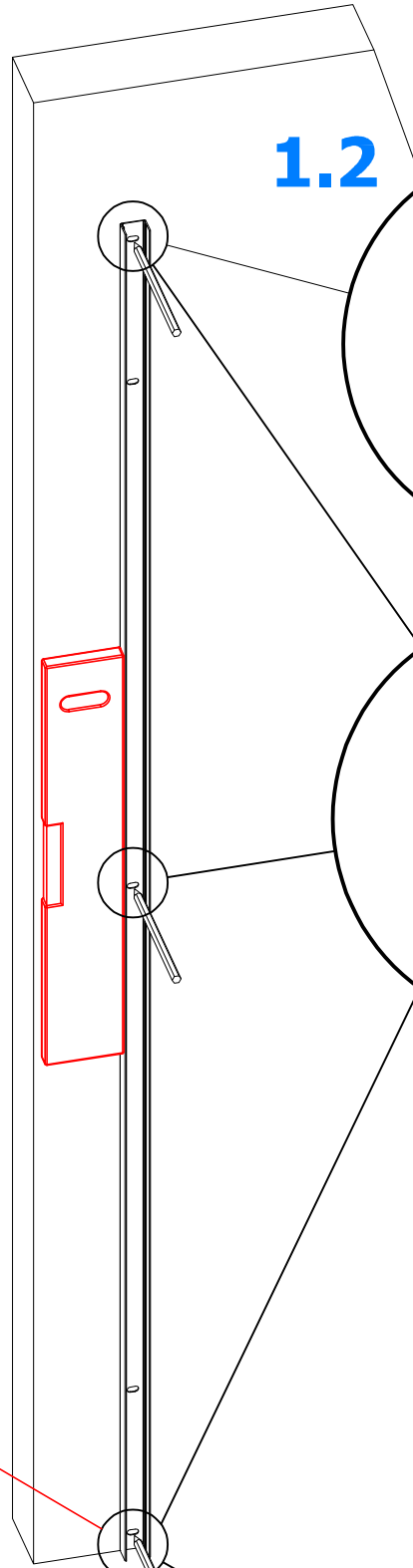
CA2C SM → A mm (-20/+10)

**1.1**

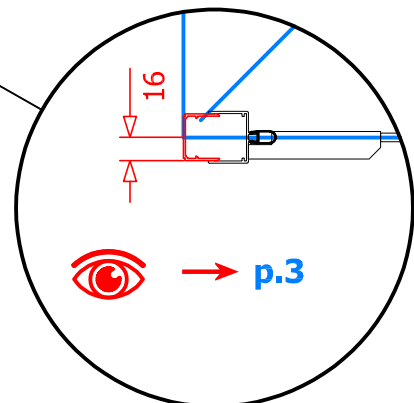
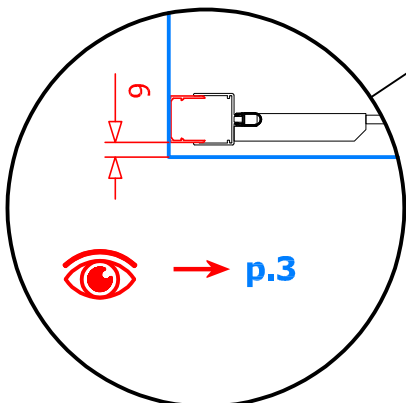
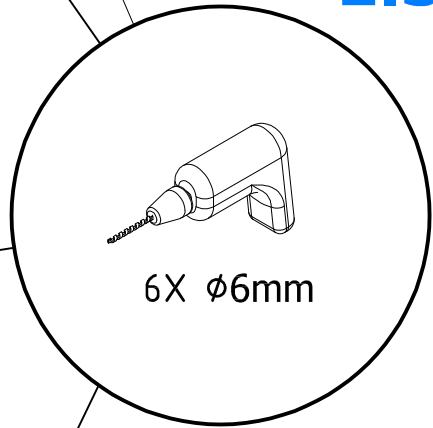


**1.1 → 1.3**

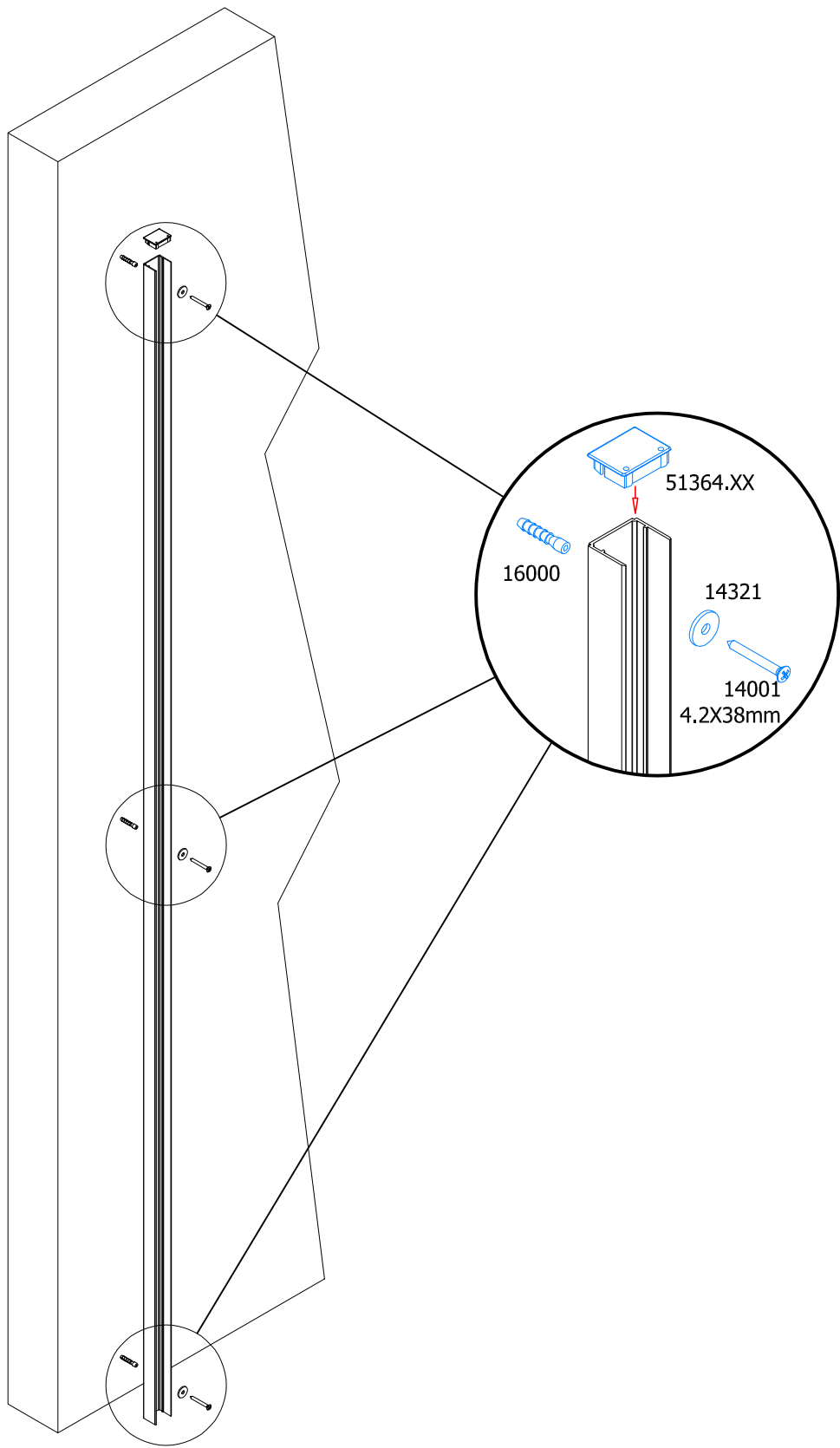
**1.2**



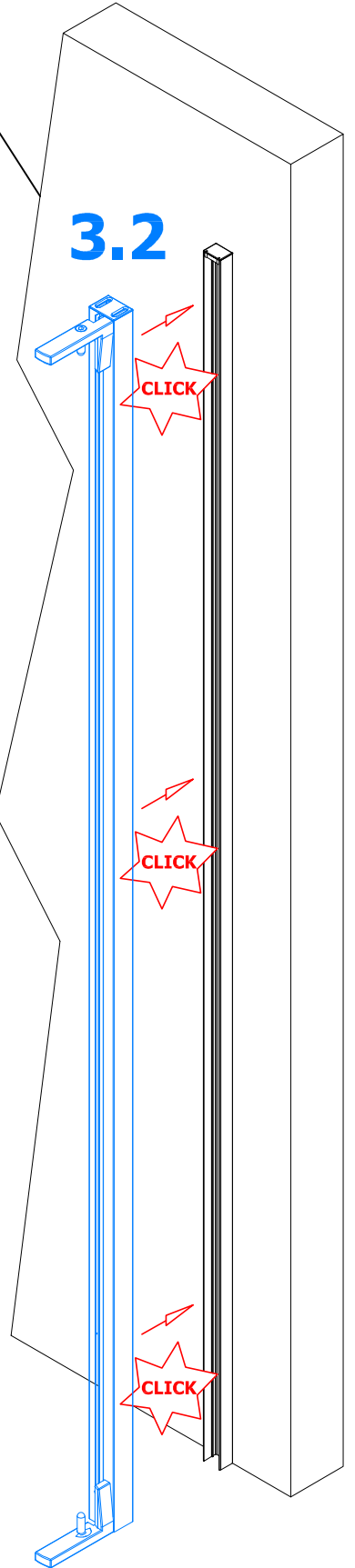
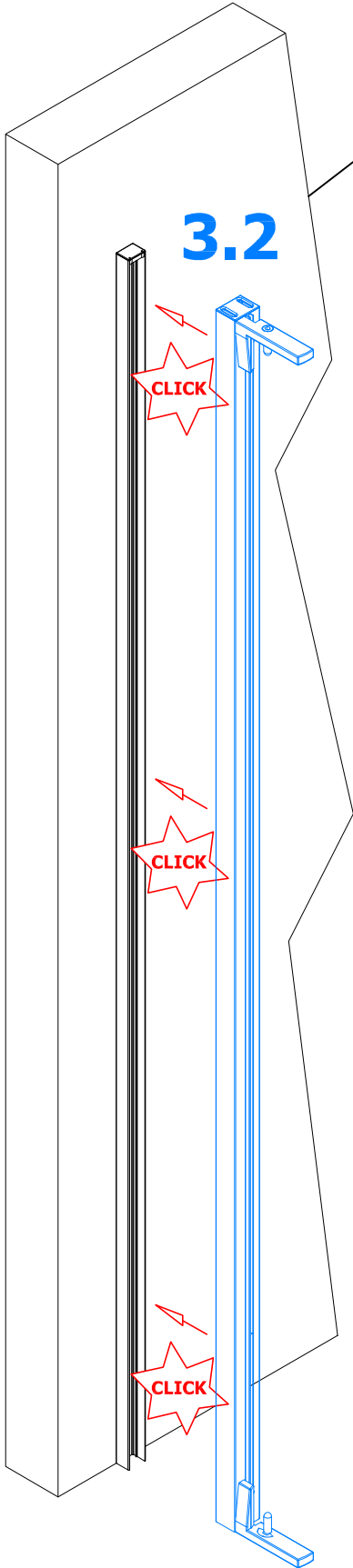
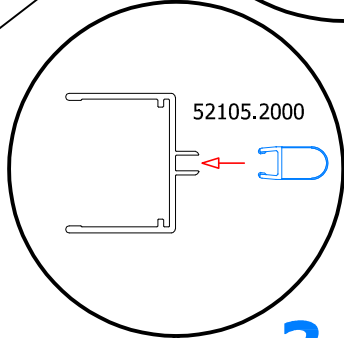
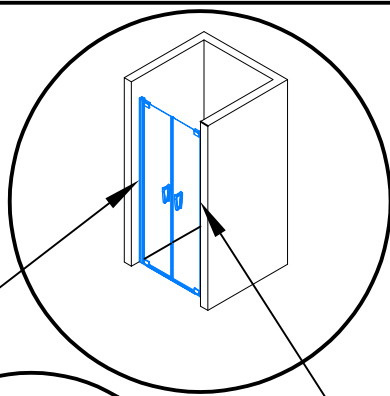
**1.3**



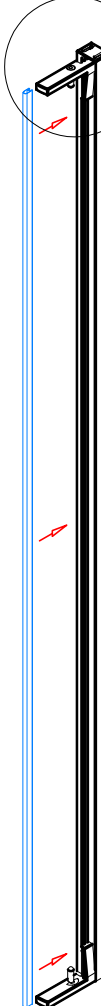
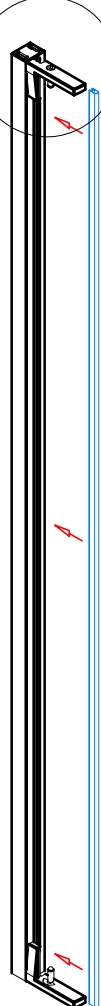
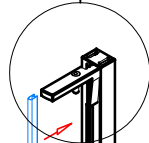
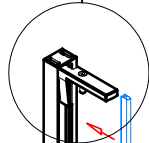
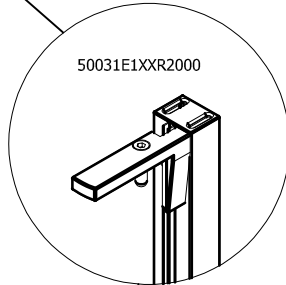
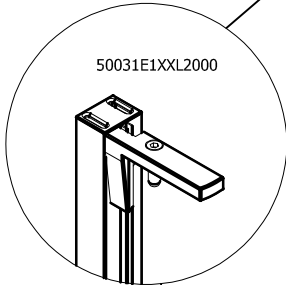
2.



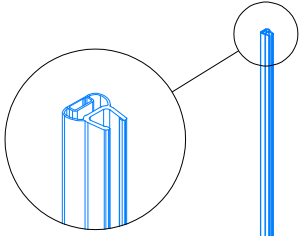
**3.1 → 3.2**



**3.1**



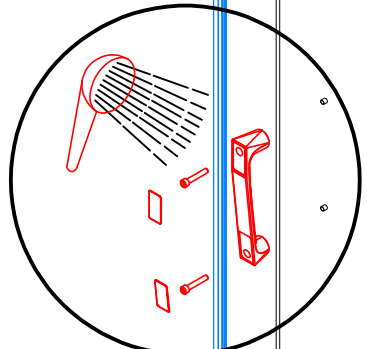
4.1 → 4.5



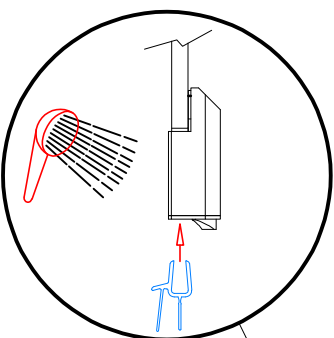
4.3



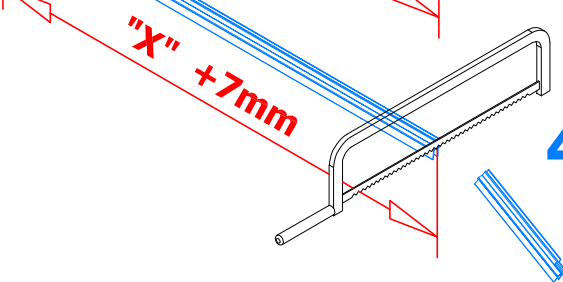
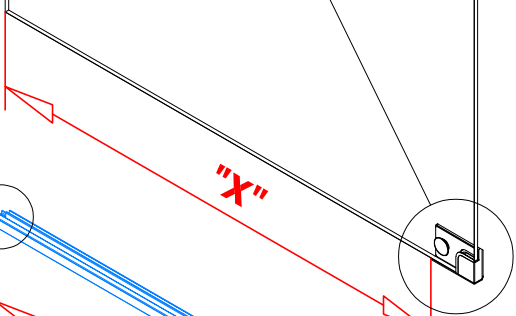
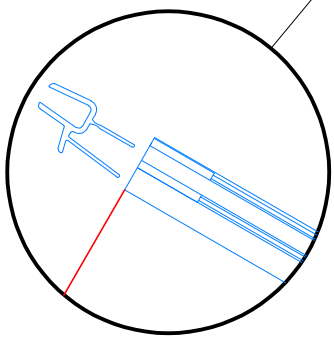
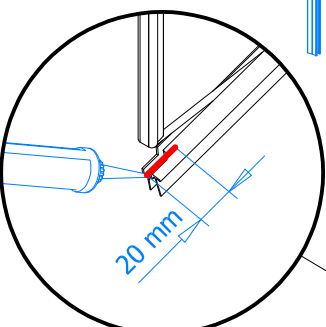
4.5



4.2

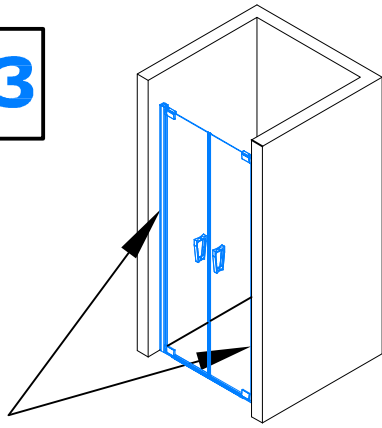


4.4

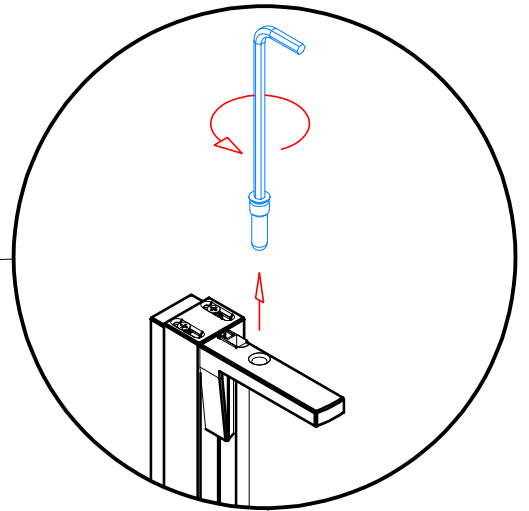


4.1

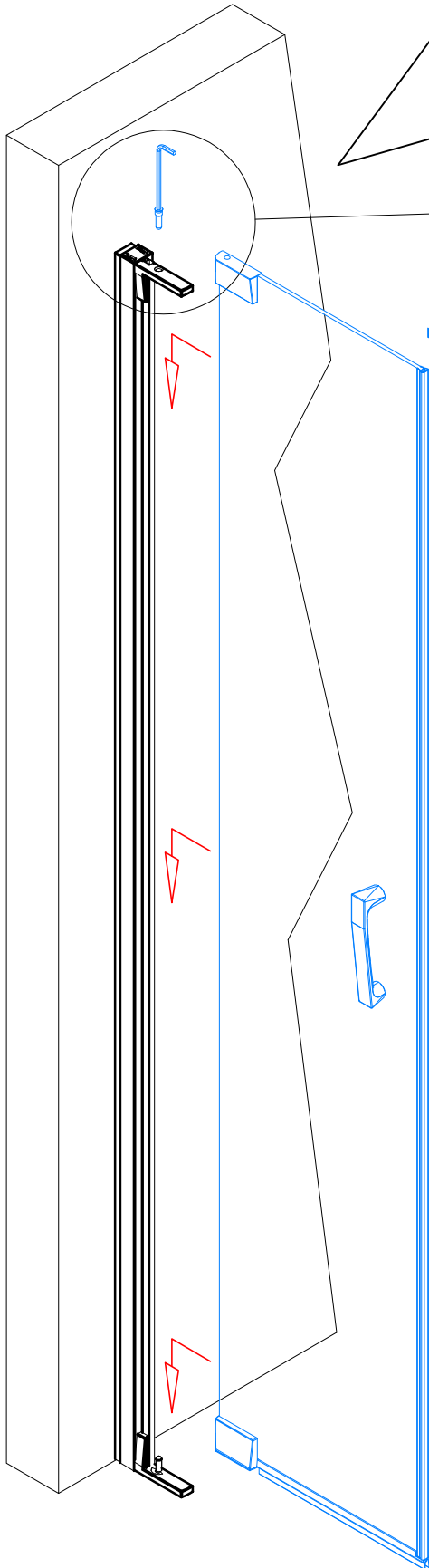
**5.1 → 5.3**



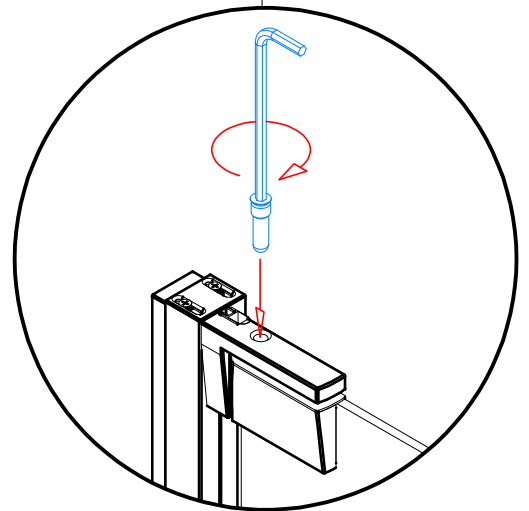
**5.1**



**5.2**



**5.3**

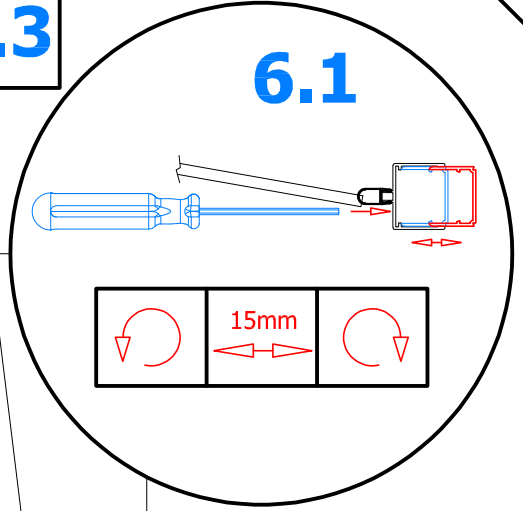
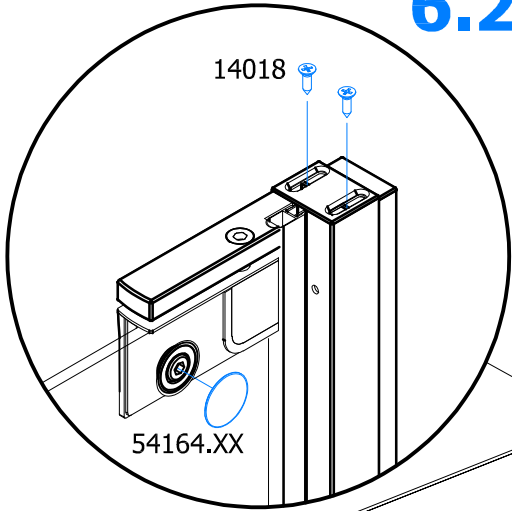




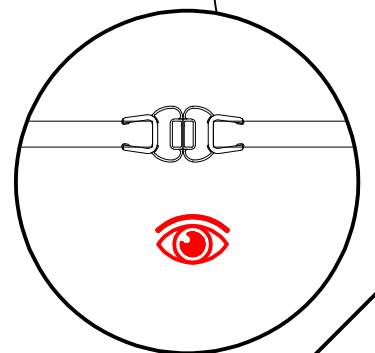
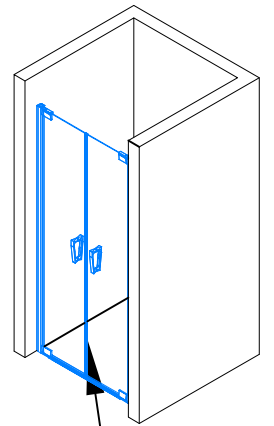
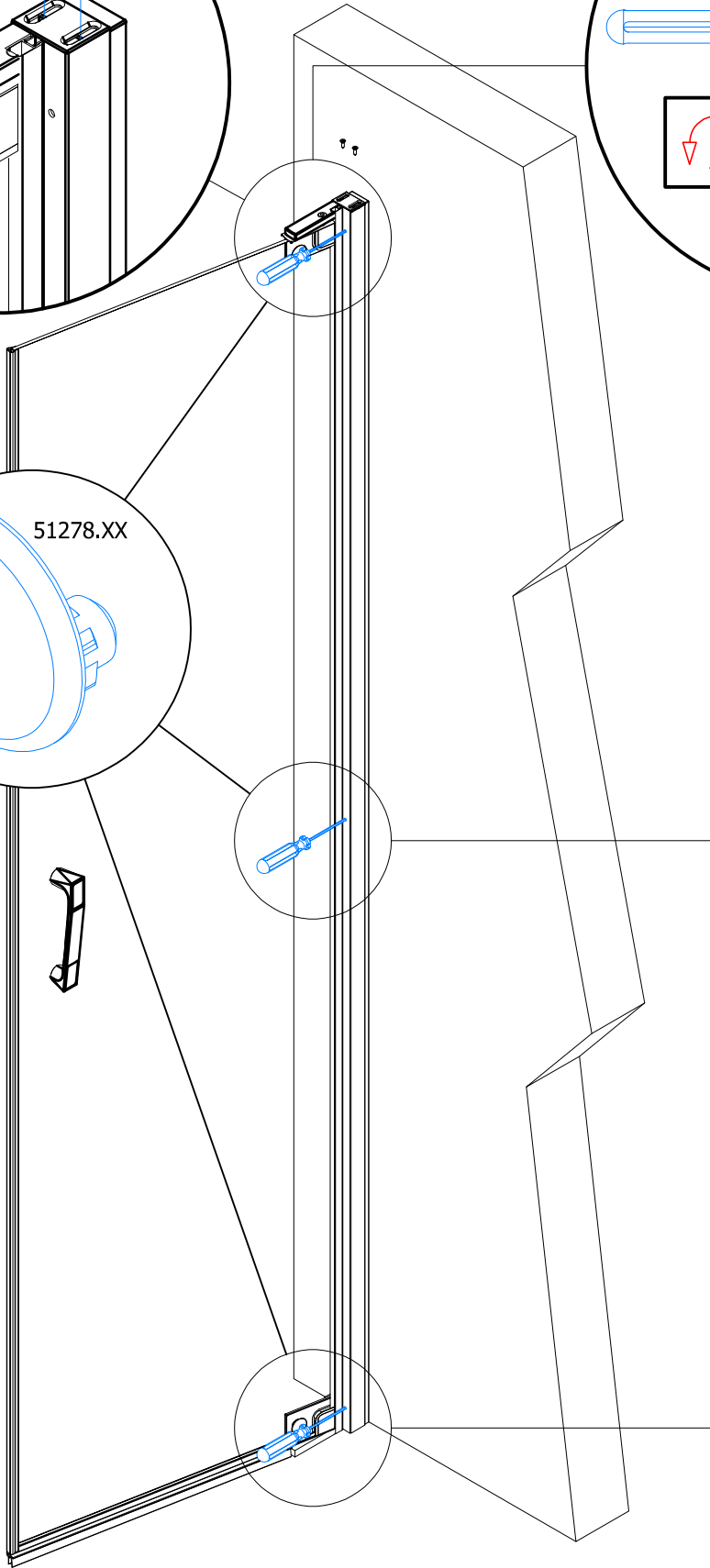
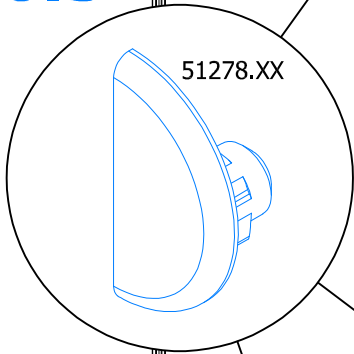
6.2

6.1 → 6.3

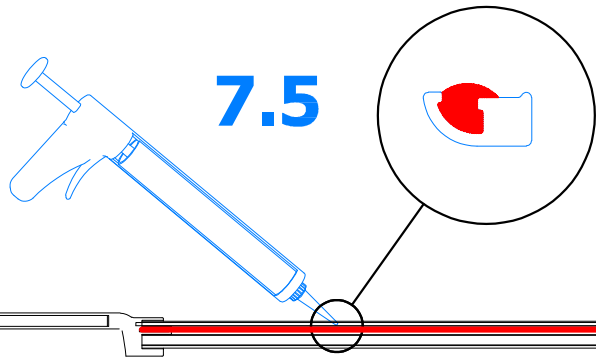
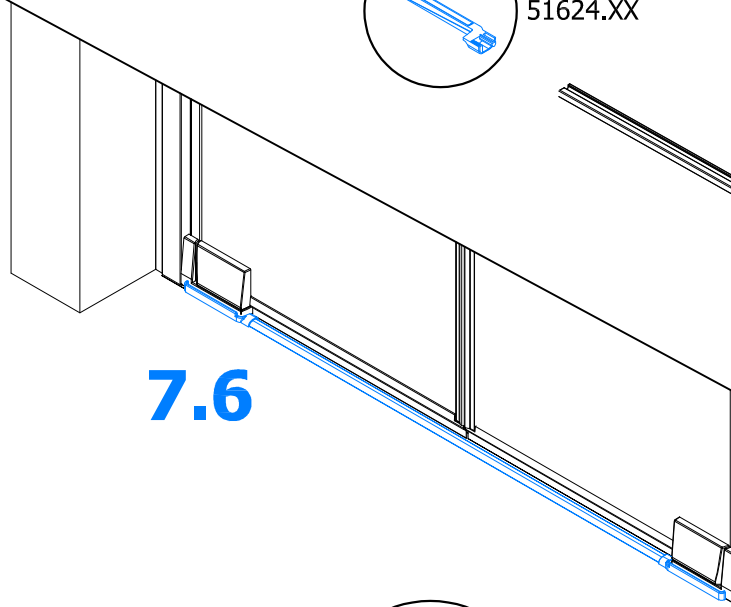
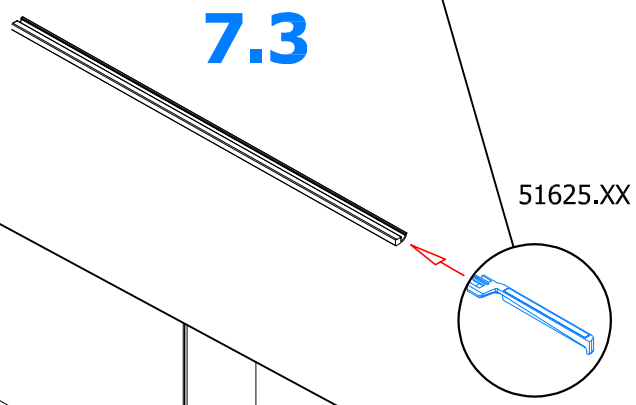
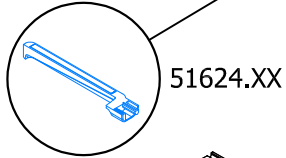
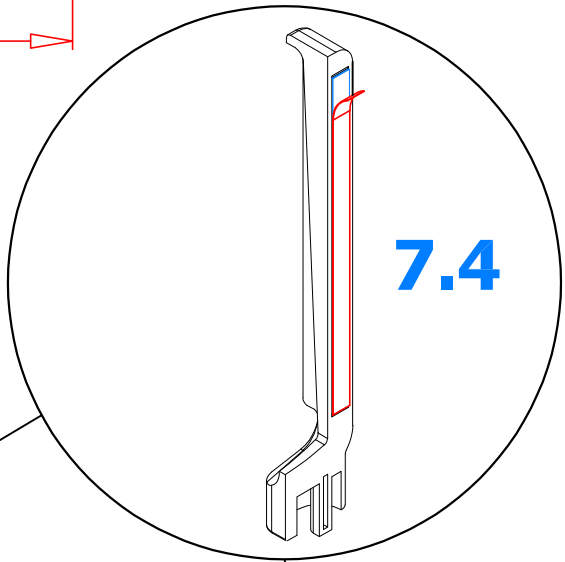
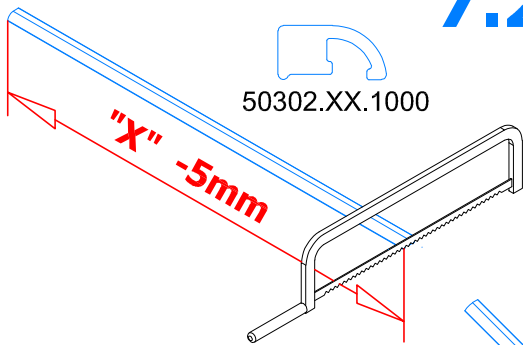
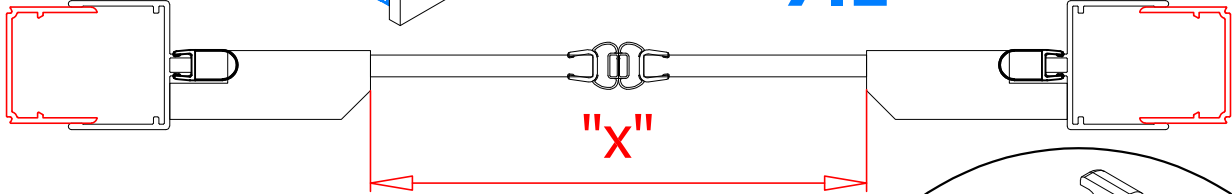
6.1



6.3



7.1 → 7.6



8.

