

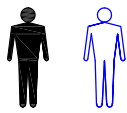
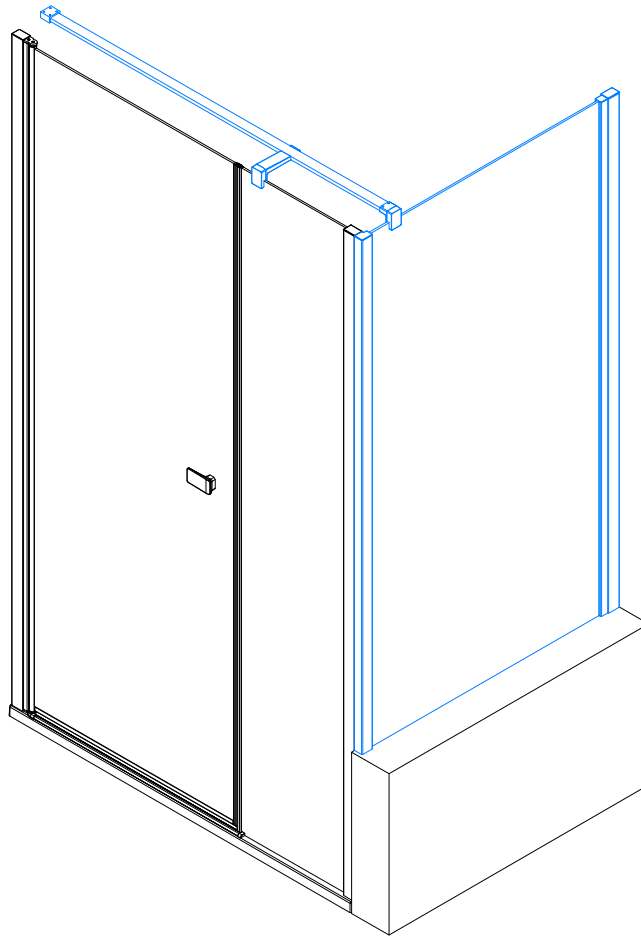
19711



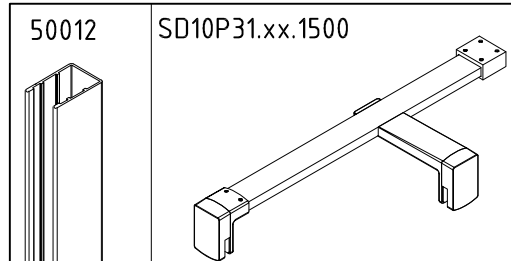
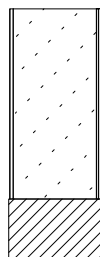
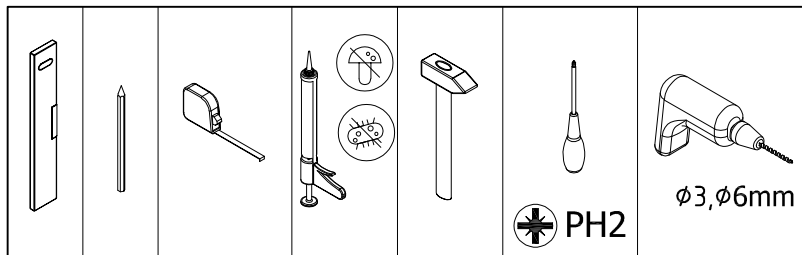
1.

-

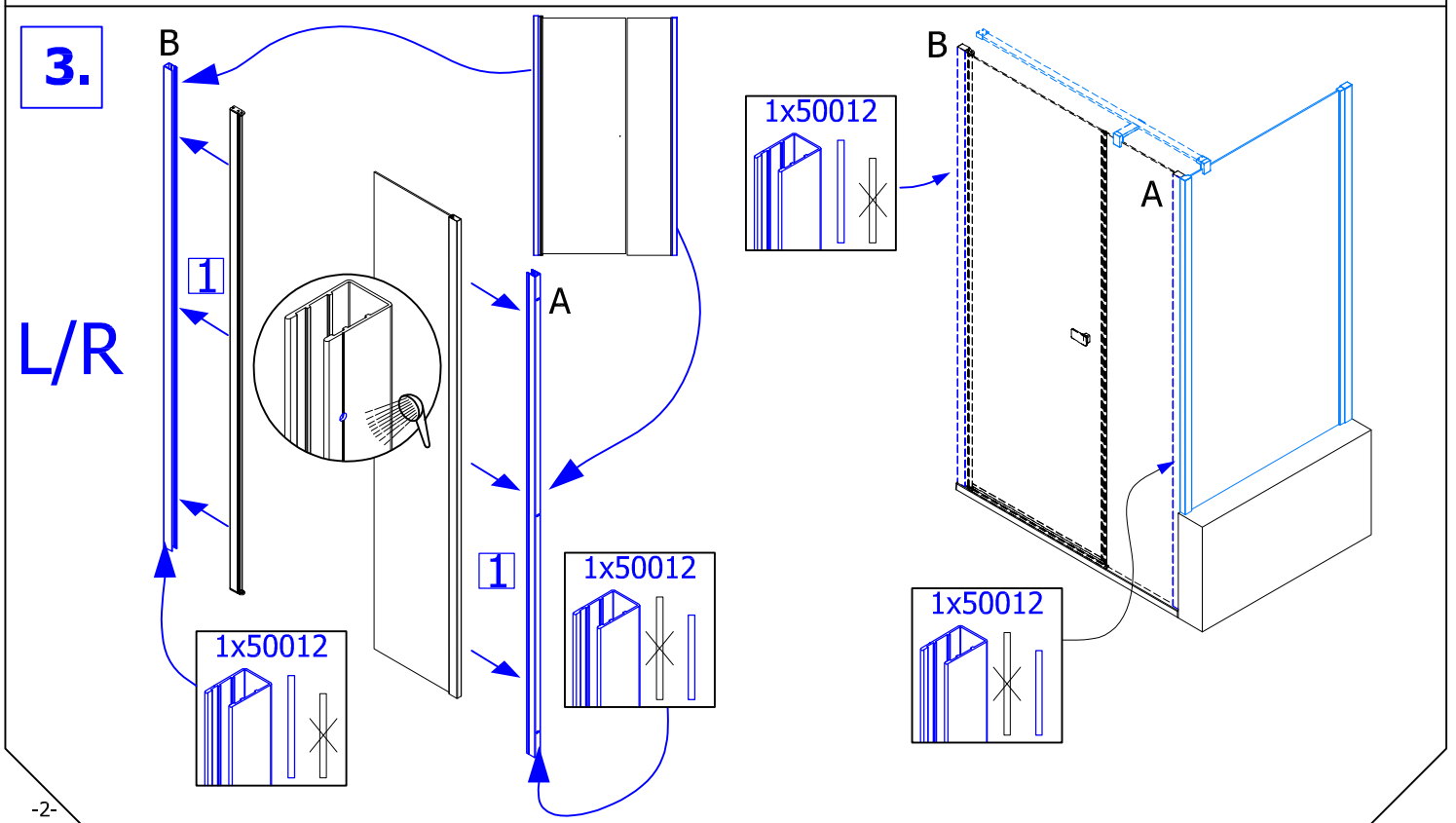
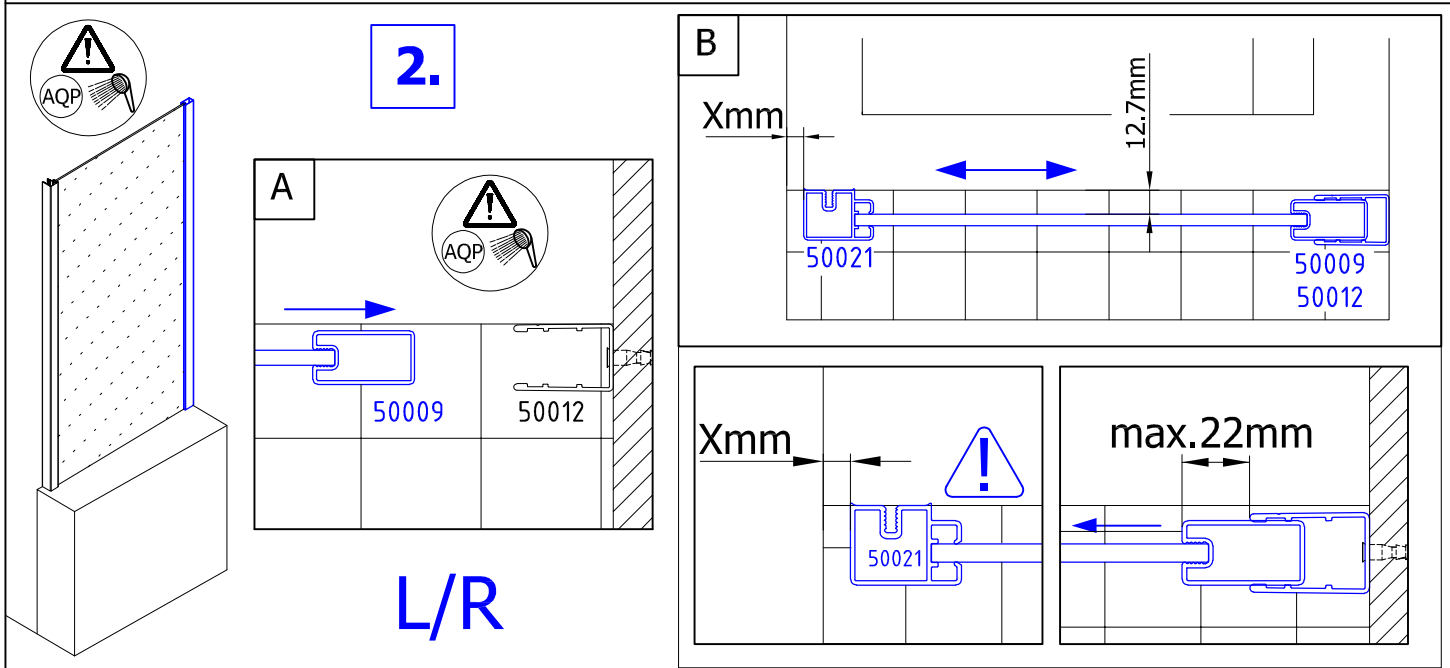
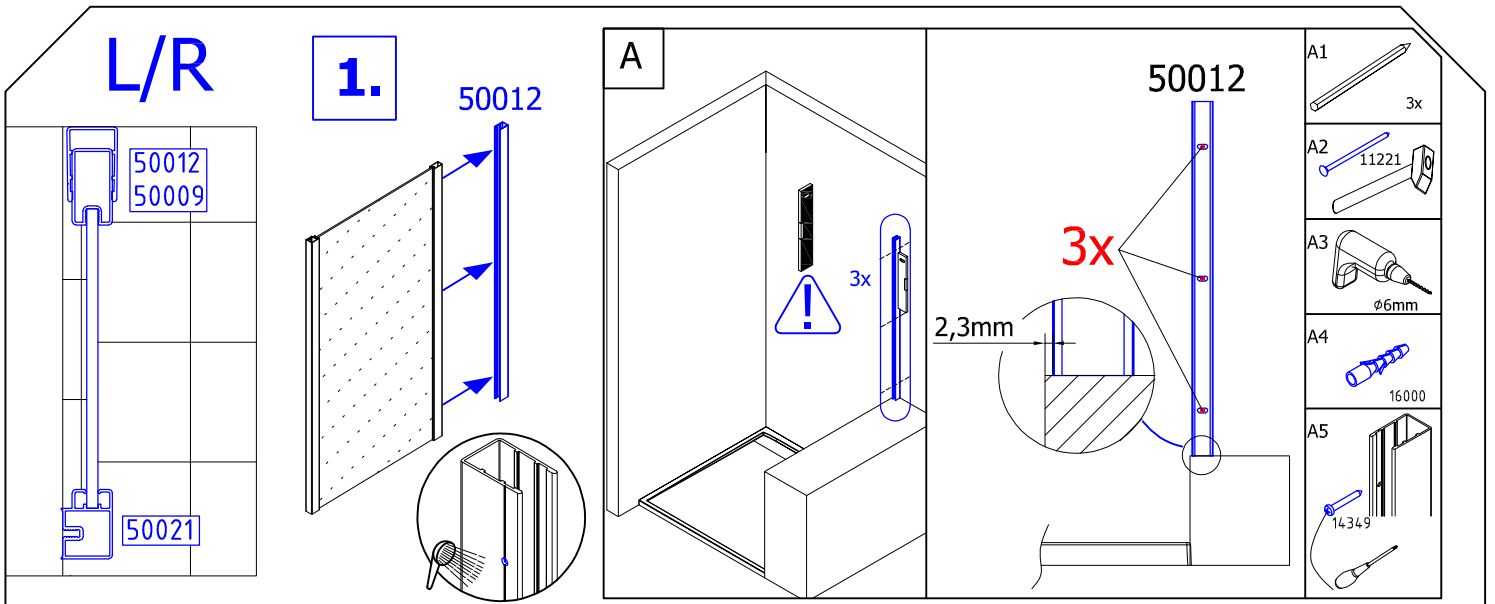
12.

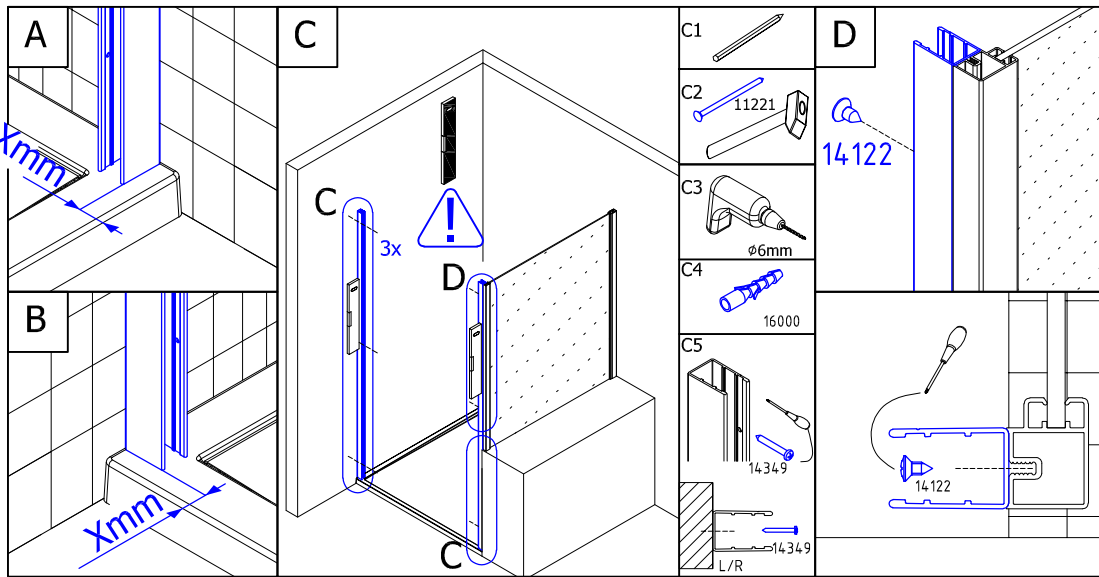



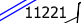


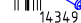
1x

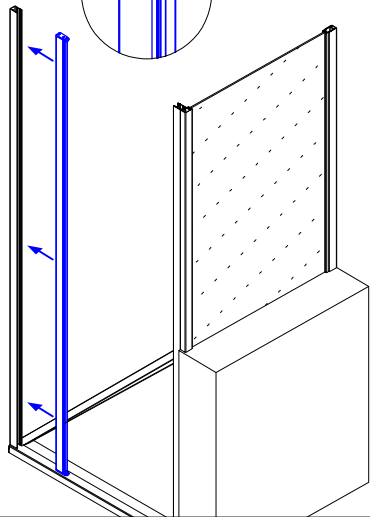
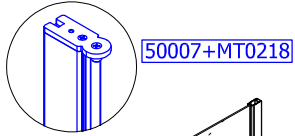
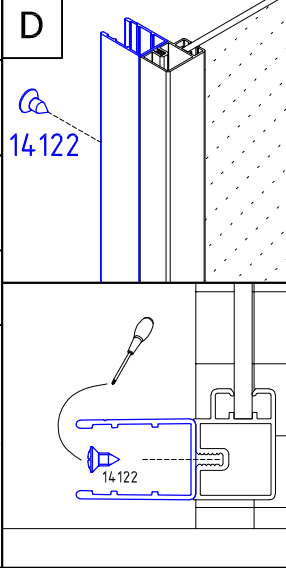


	 1 x 14001 4.2 x 38mm	 3 x 14349 4.2 x 45mm	 3 x 14003 3,5x9,5mm	 3 x 51338	 1 x 51023	 2x51615	
	 1 x 51399	 1 x 11221	 4 x 16000 ø 6mm	 3 x 51337	 3 x 14122 4.2 x 9,5mm	 1 x 51022	 17158-2mm 17159-3mm

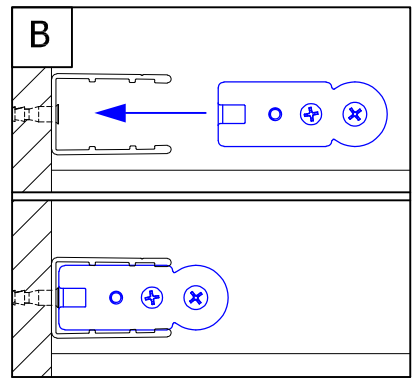
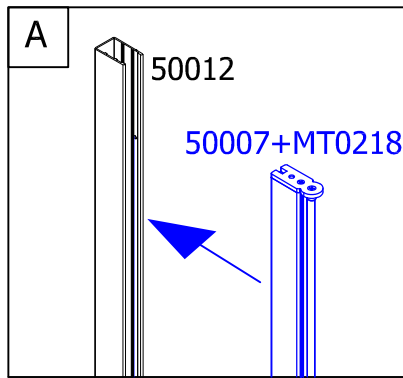




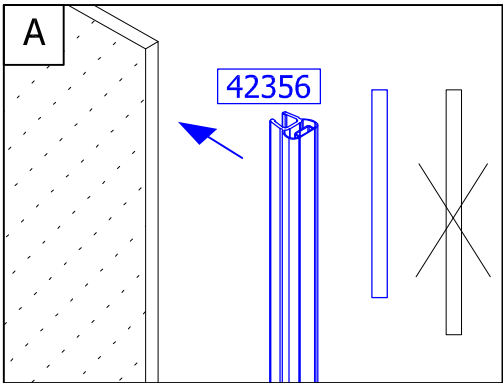
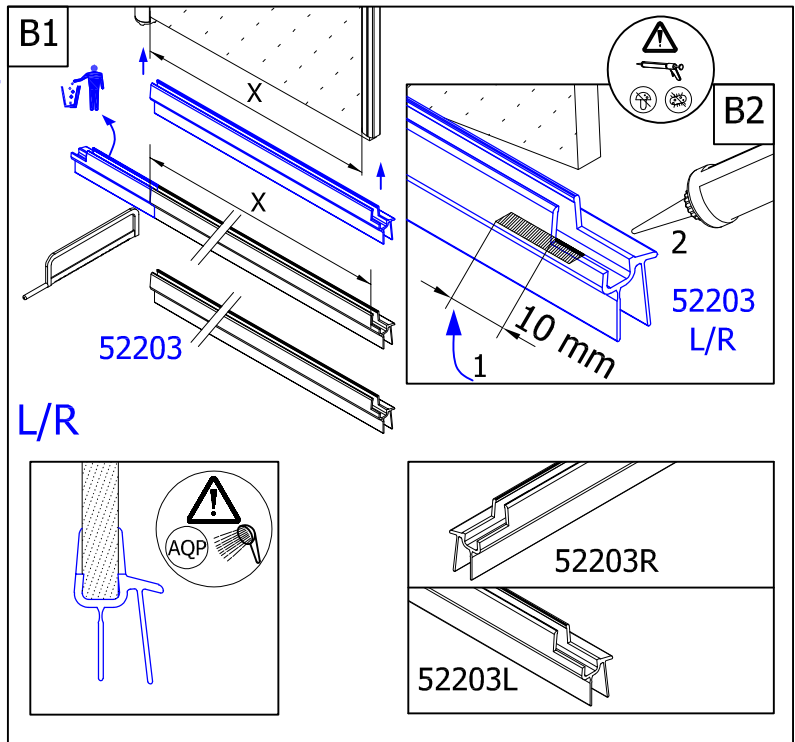
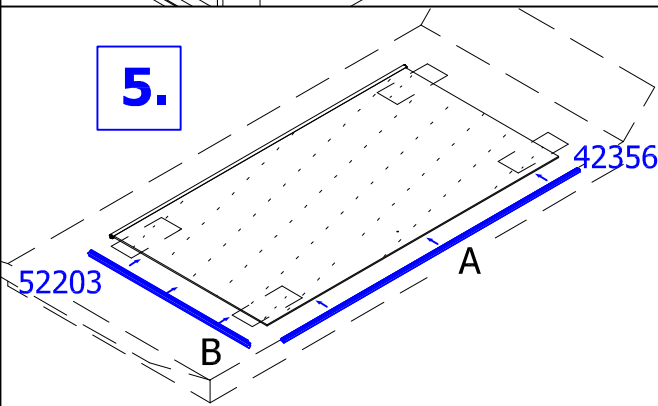
- C1 
- C2  11221
- C3  $\varnothing 6\text{mm}$
- C4  16000
- C5  14.349

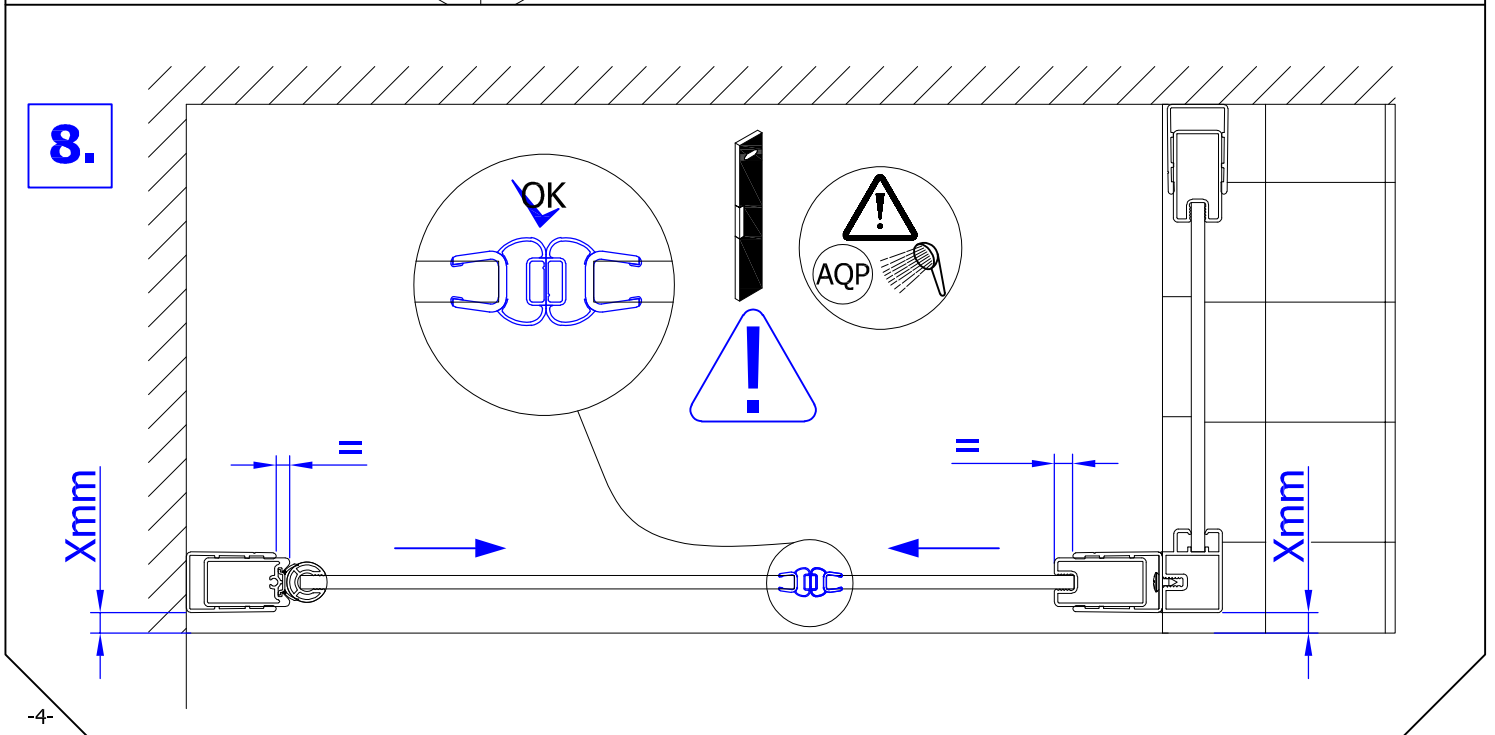
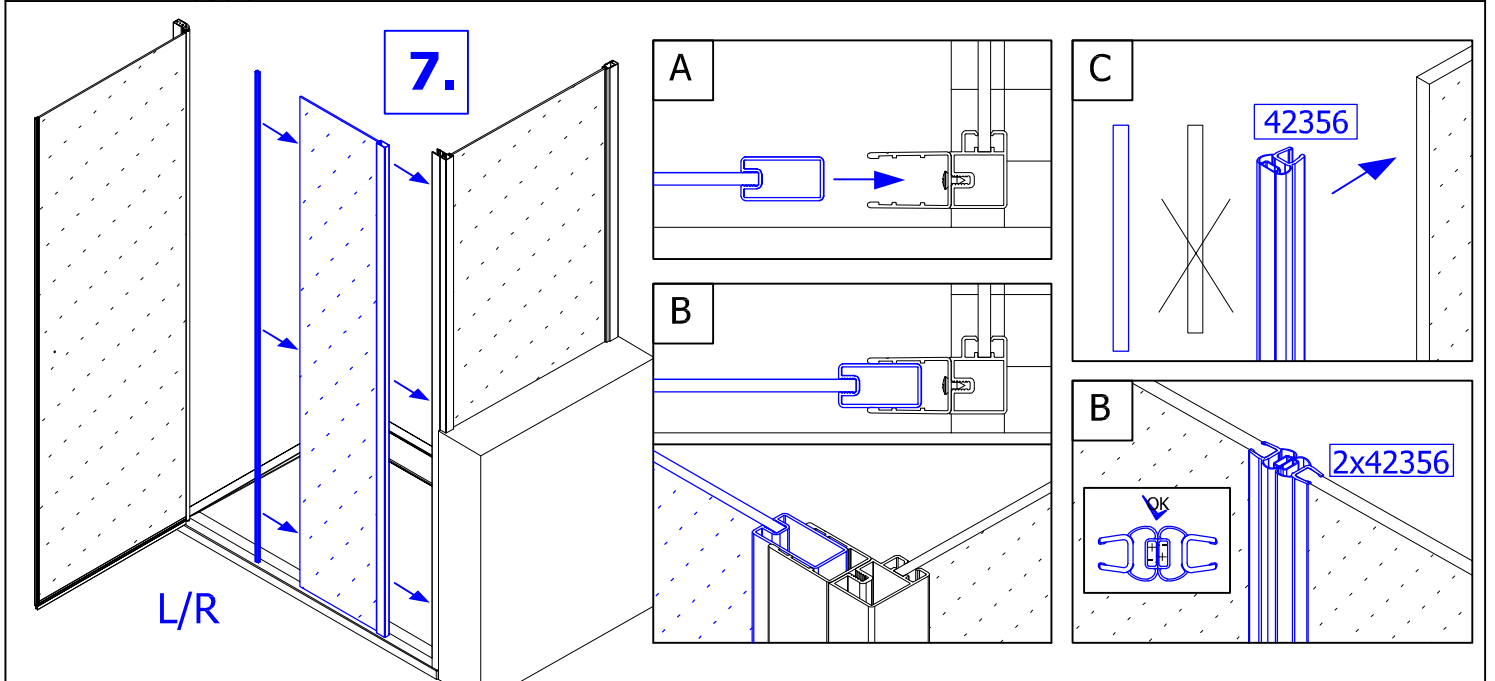
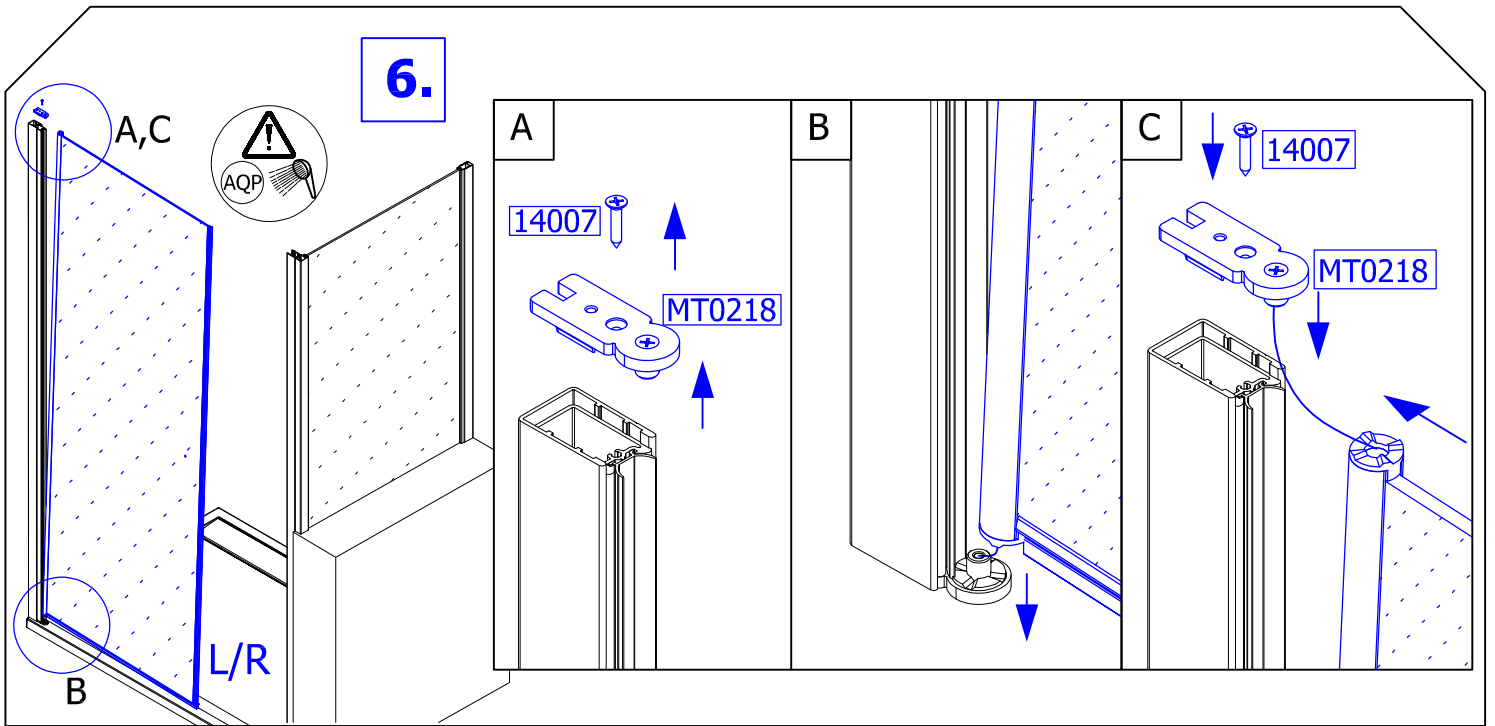


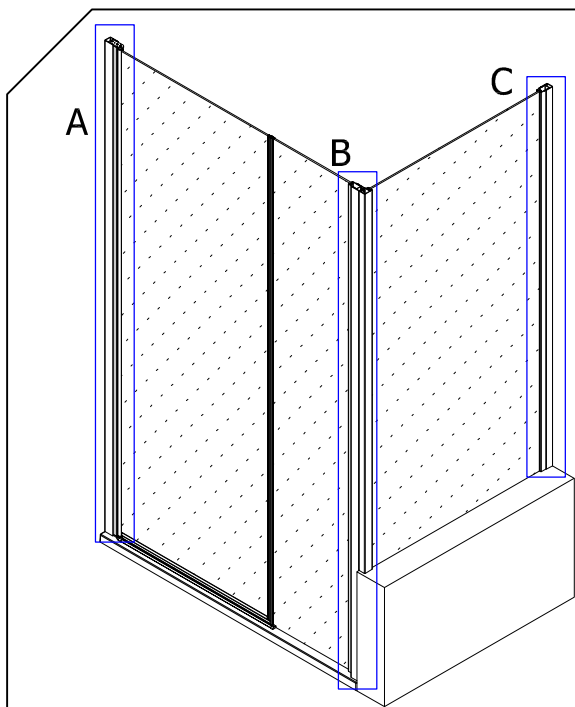
4.



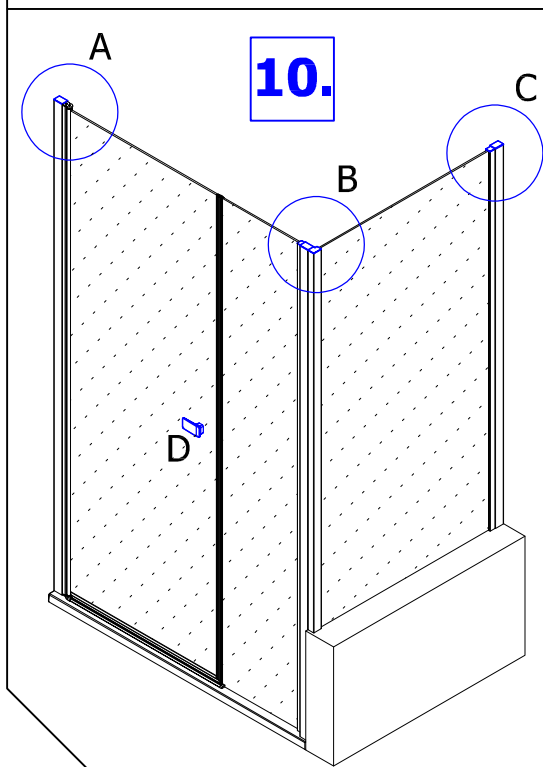
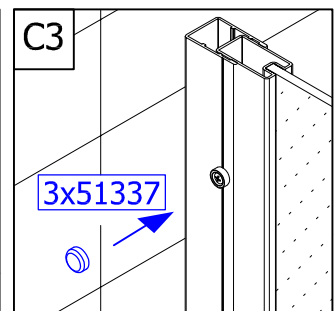
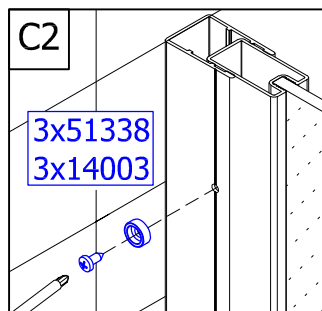
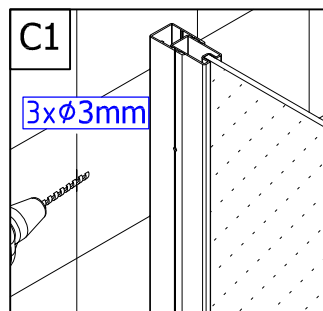
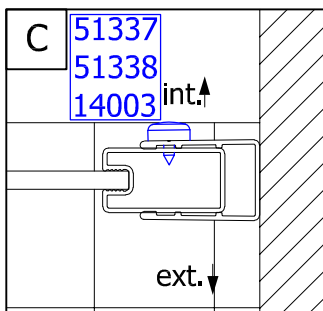
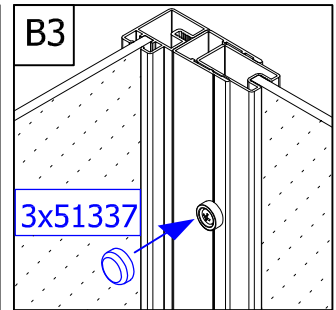
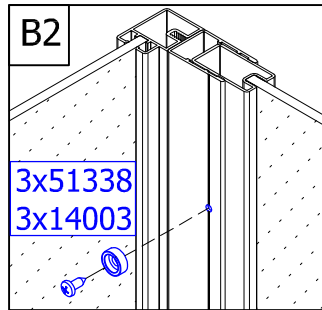
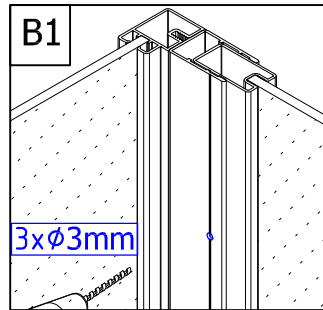
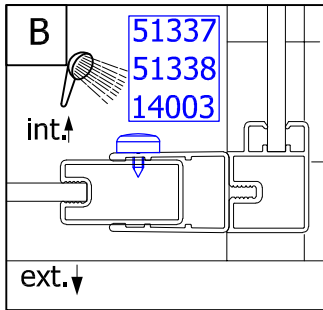
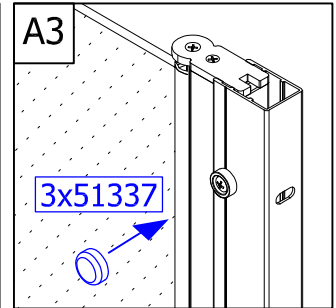
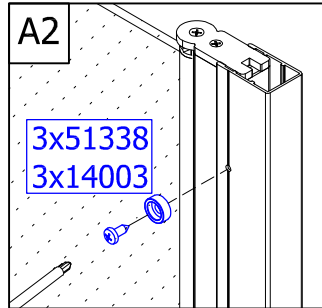
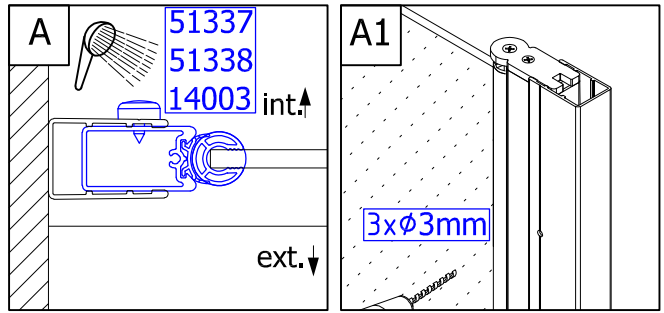
5.



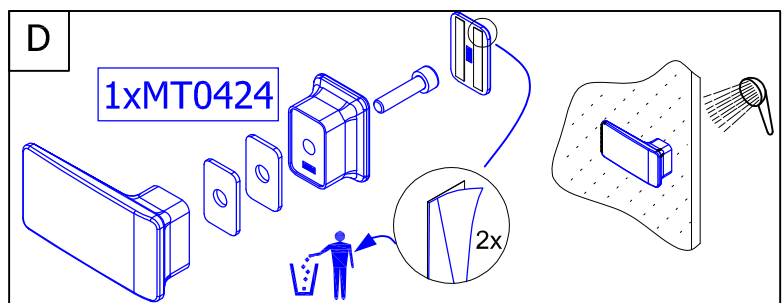
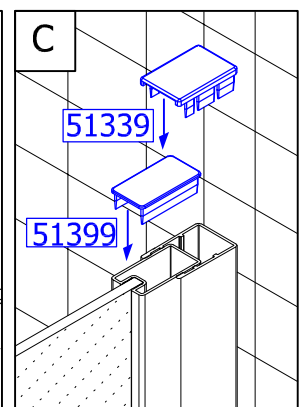
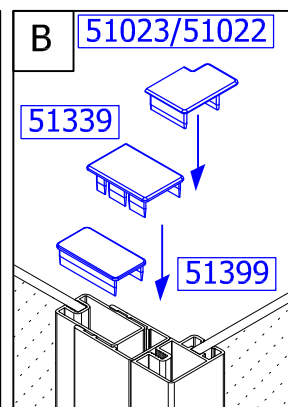
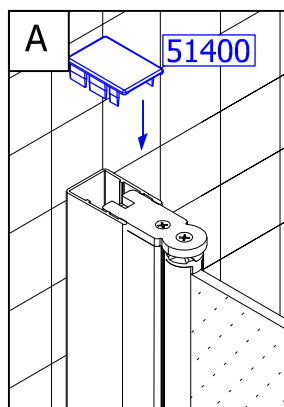




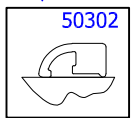
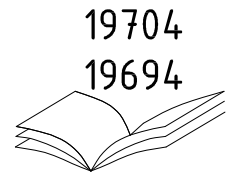
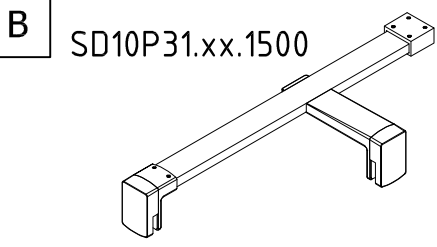
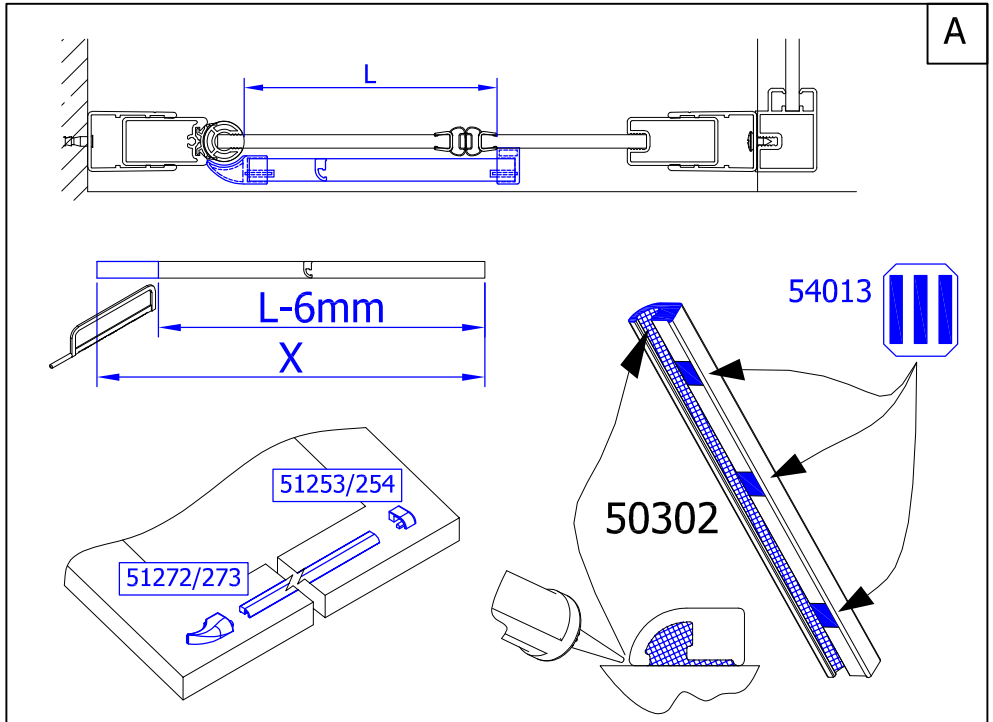
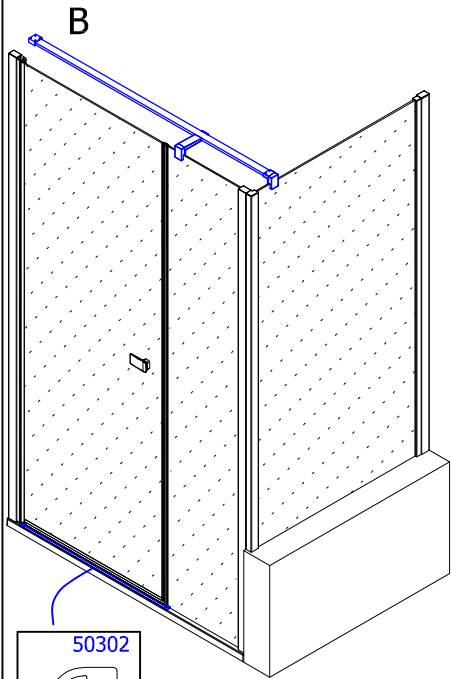
9.



10.



11.



12.

