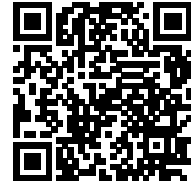
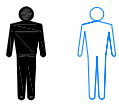
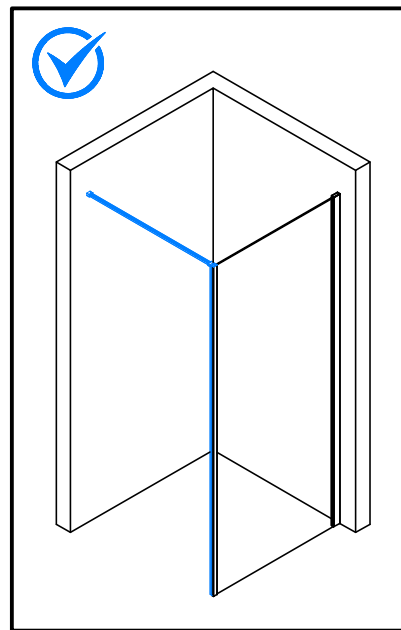
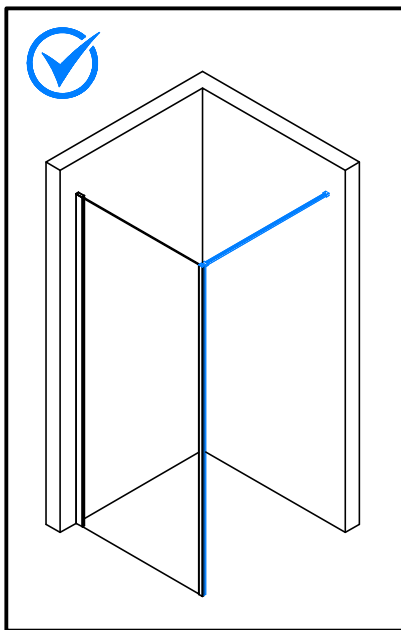


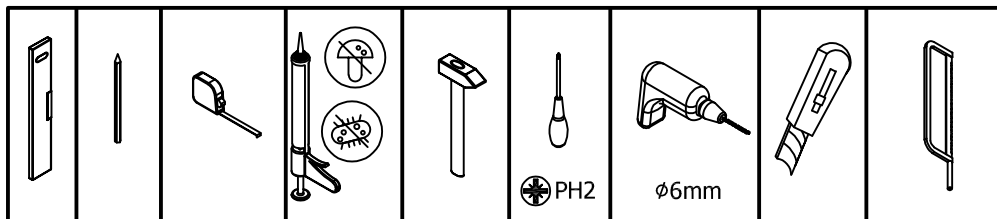
# 19792


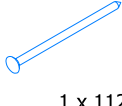









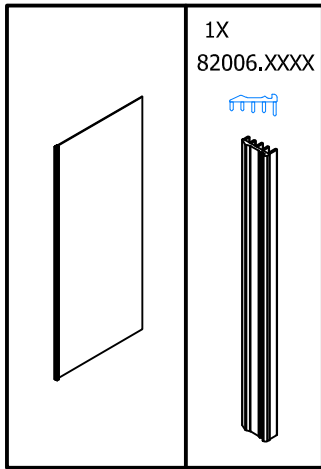
D22BTK1H + D22F1


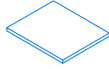
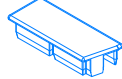




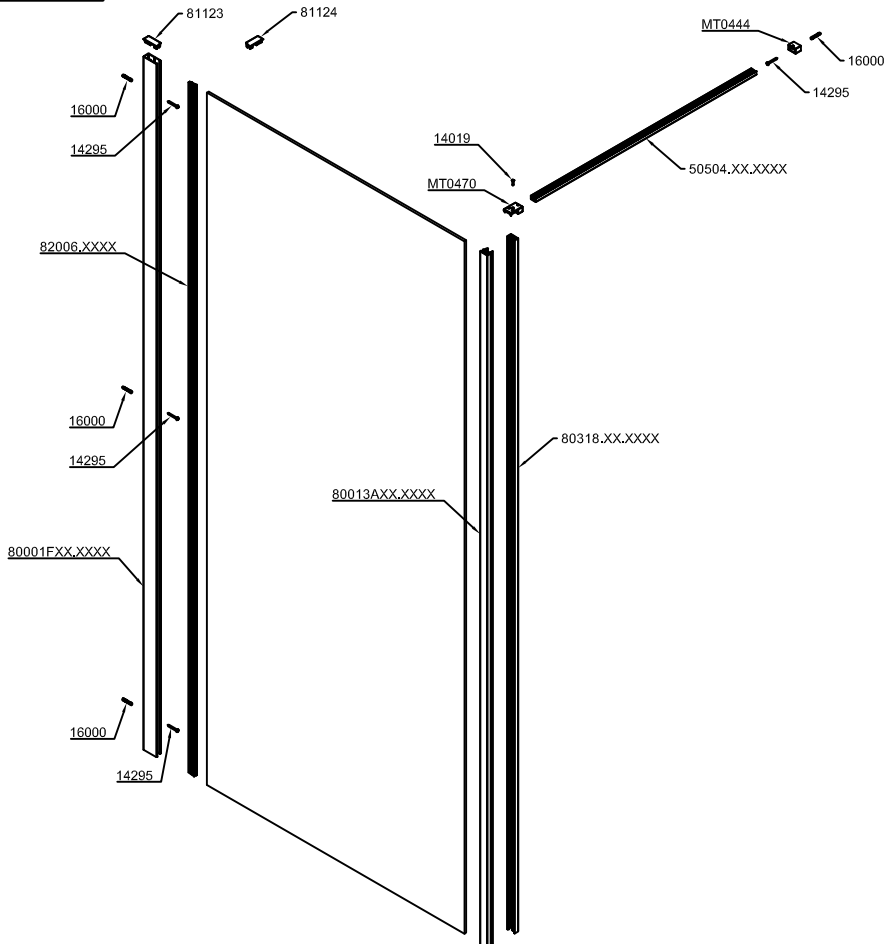
1x



	 1 x 11221	 4 x 14295 4.2X32mm	80001FXX.XXXX 	80318.XX.XXXX 	50504E6XX.XXXX 	
	 2mm - 17158	 4 x 16000 ø 6mm				
		 1 x 14019				

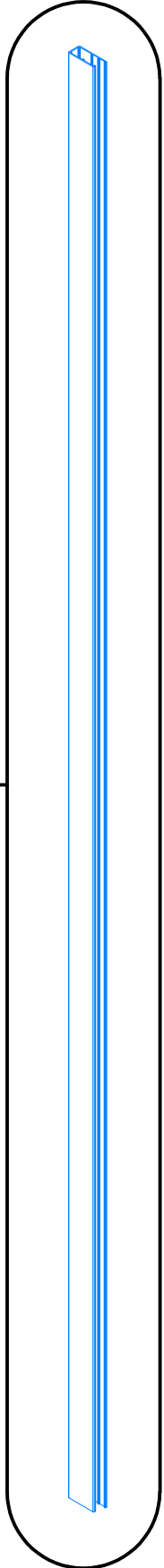
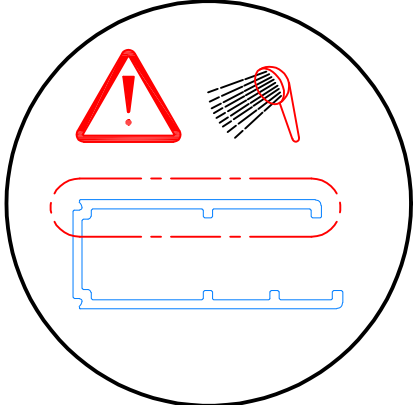
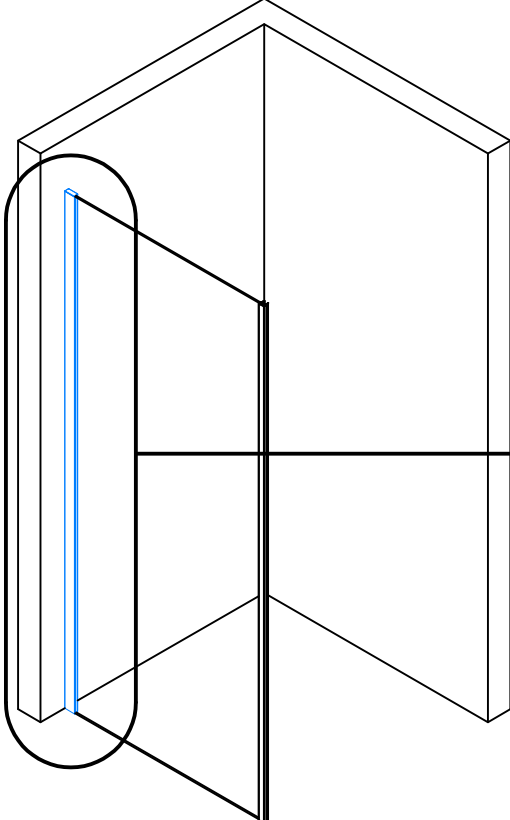
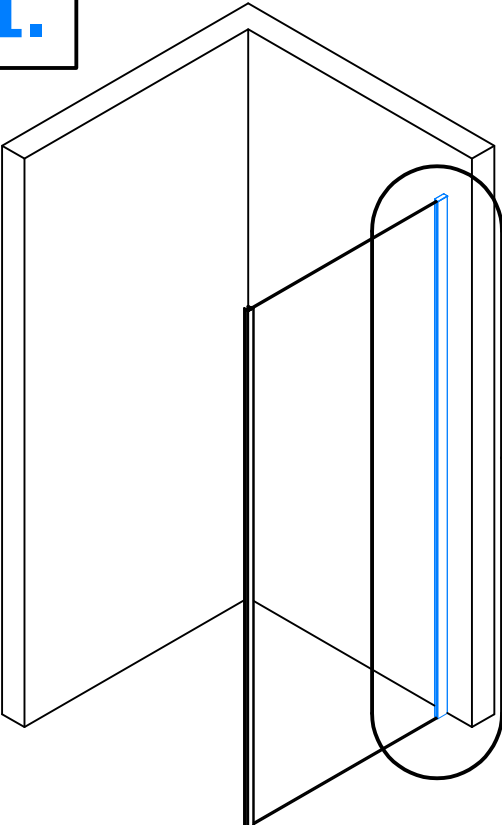


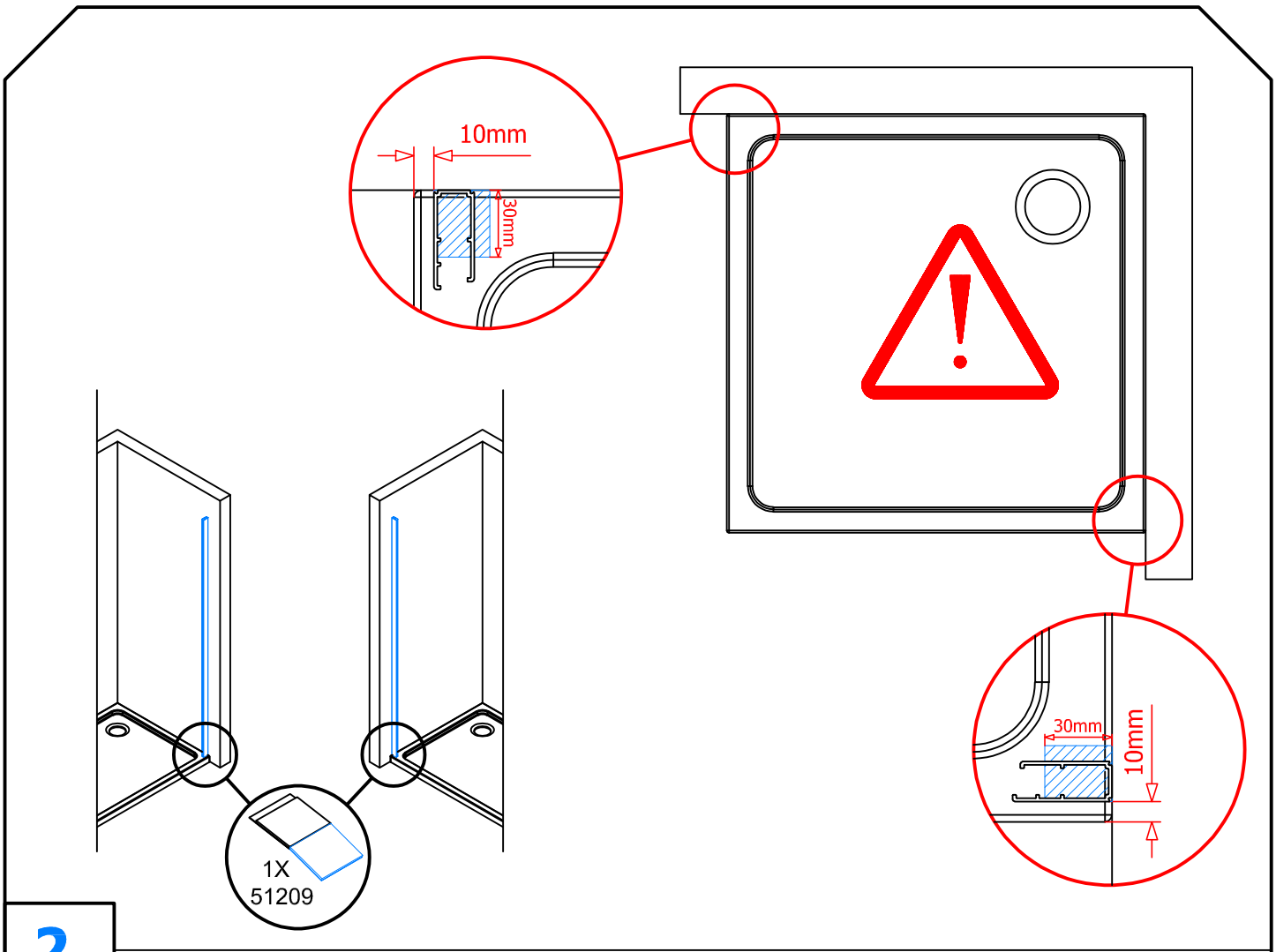
 1 x 81122.XX	 51209	 1 x 81124.XX
 1 x 81123.XX	 81169	



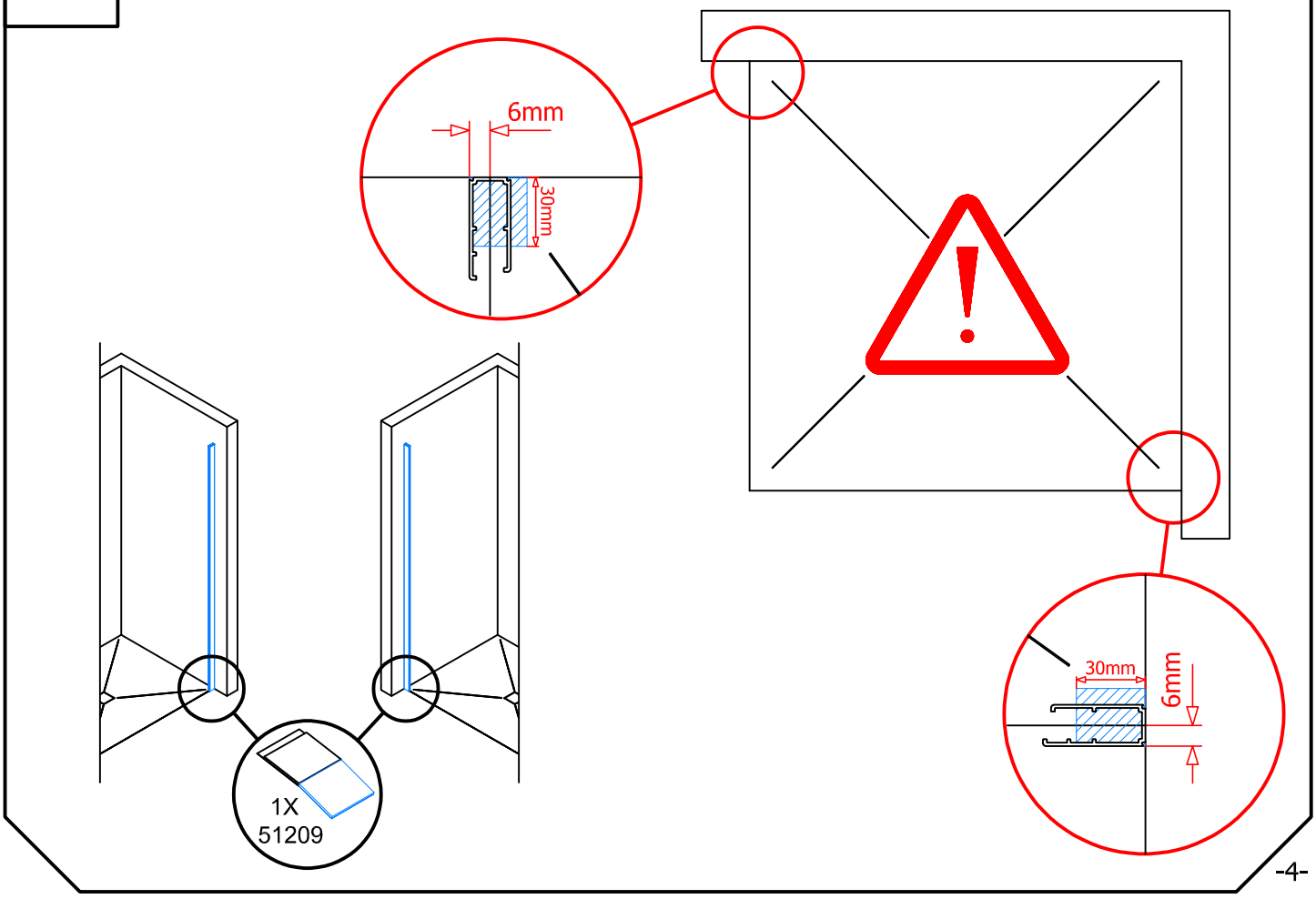
1.

80001FXX.XXXX

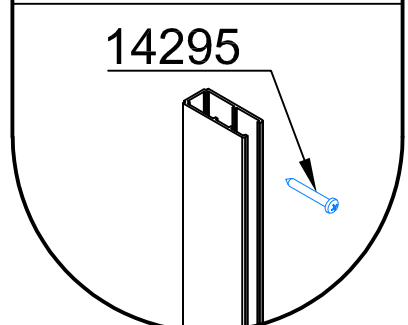
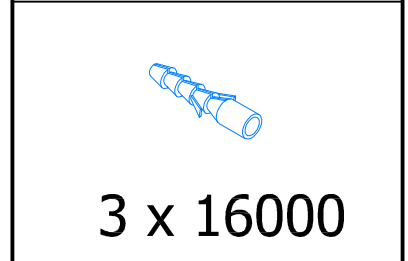
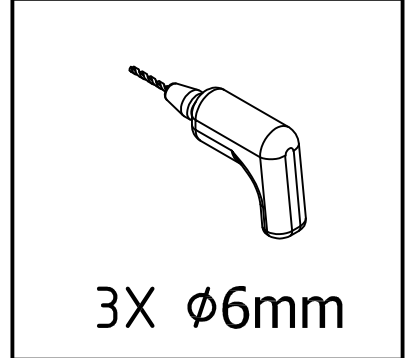
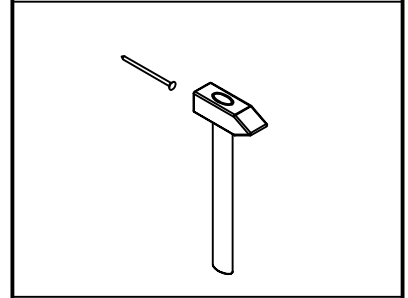
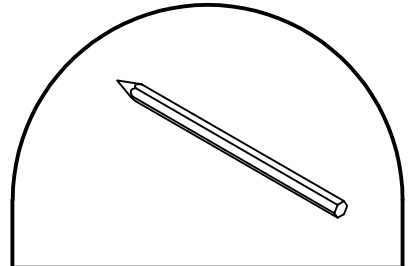
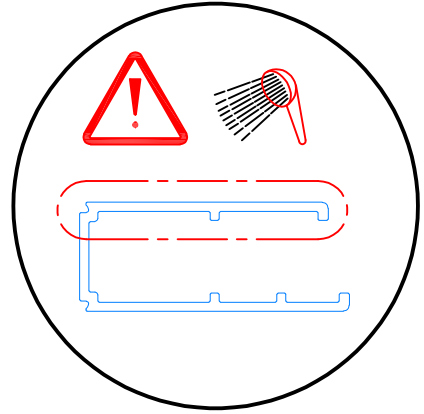
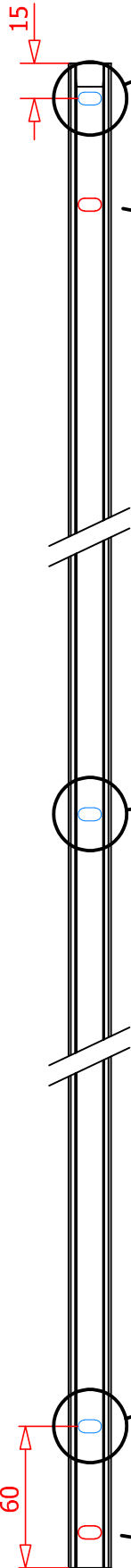
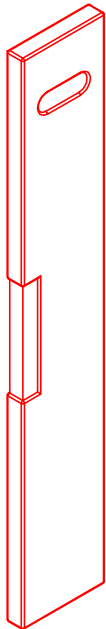




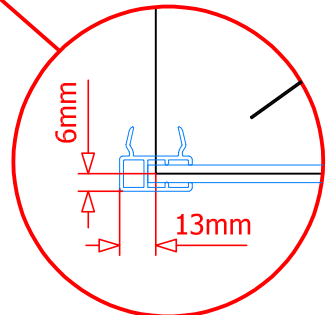
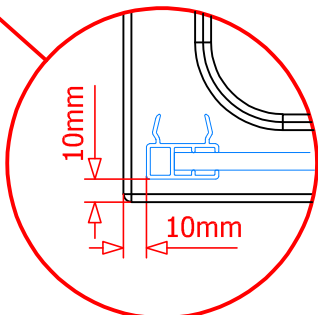
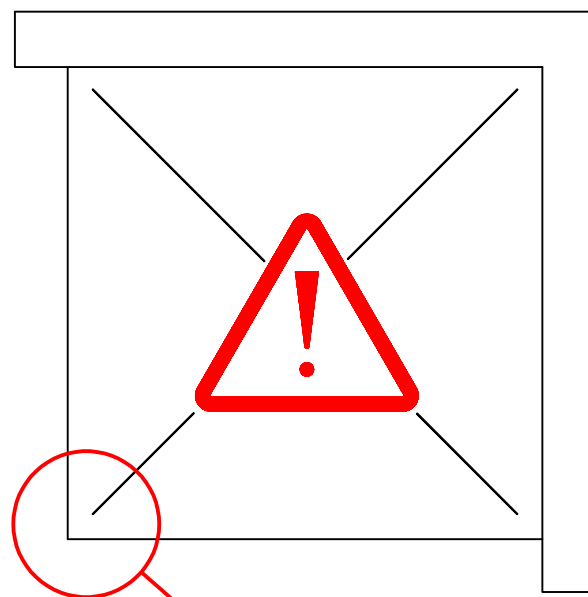
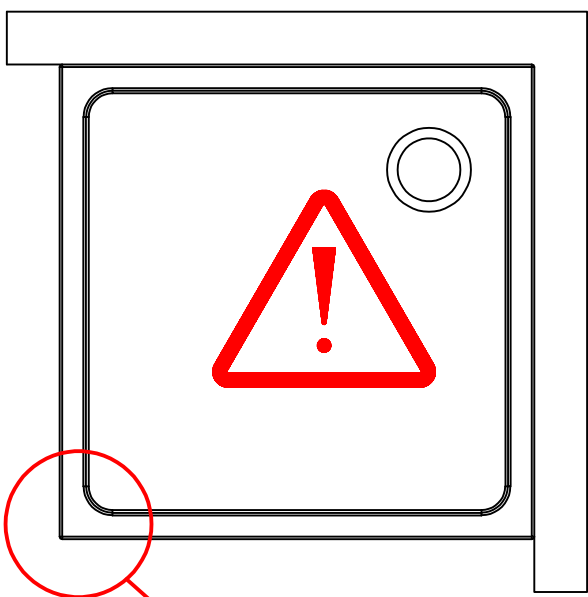
**2.**



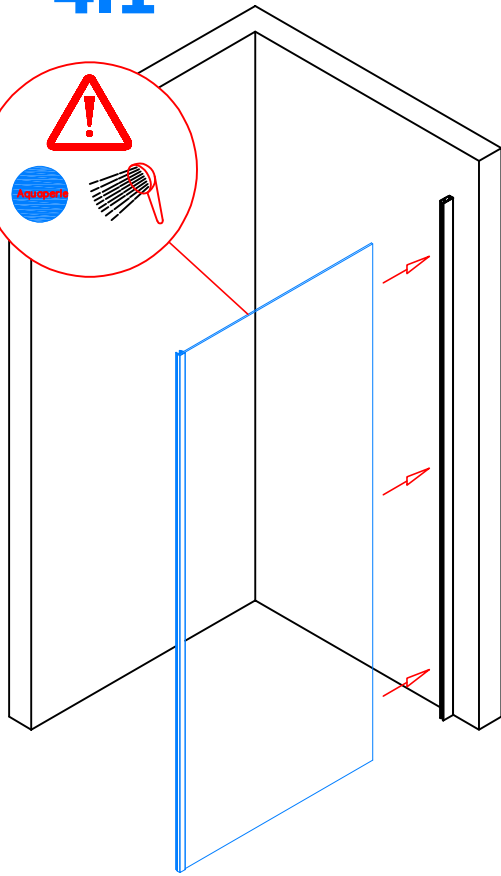
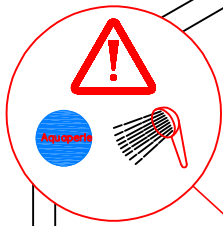
3.



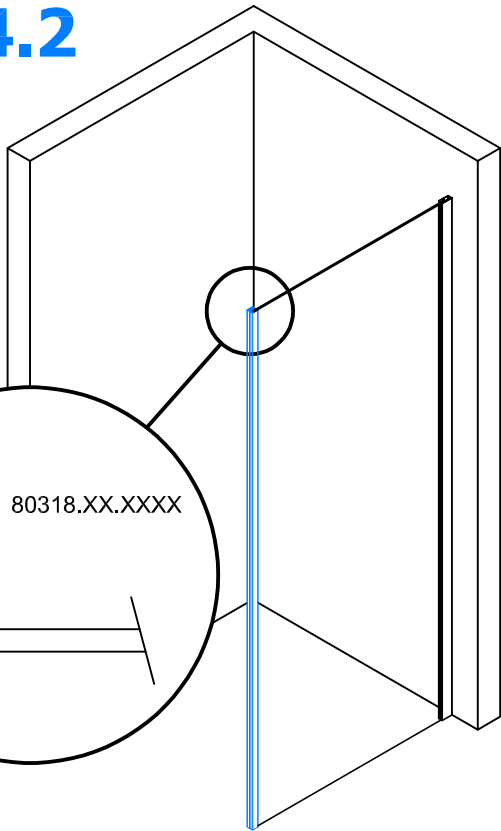
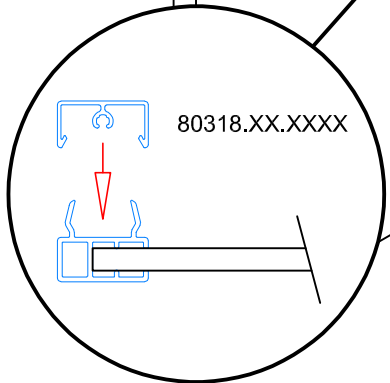
4.1 → 4.2



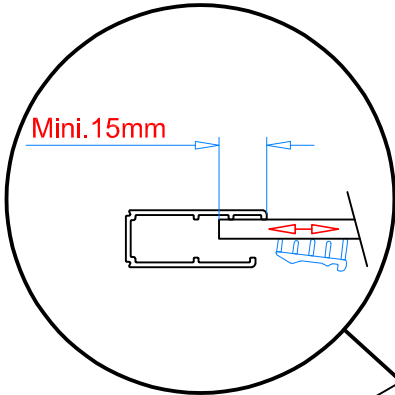
4.1



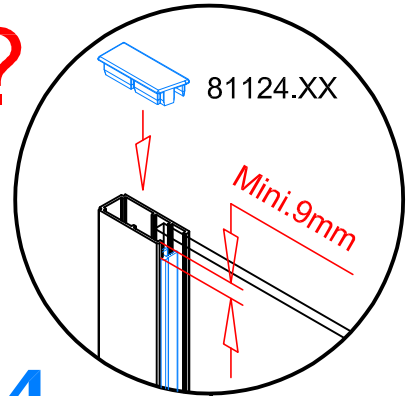
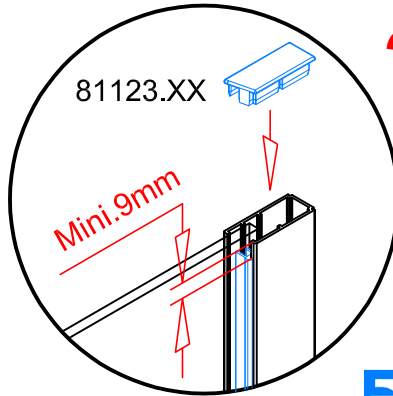
4.2



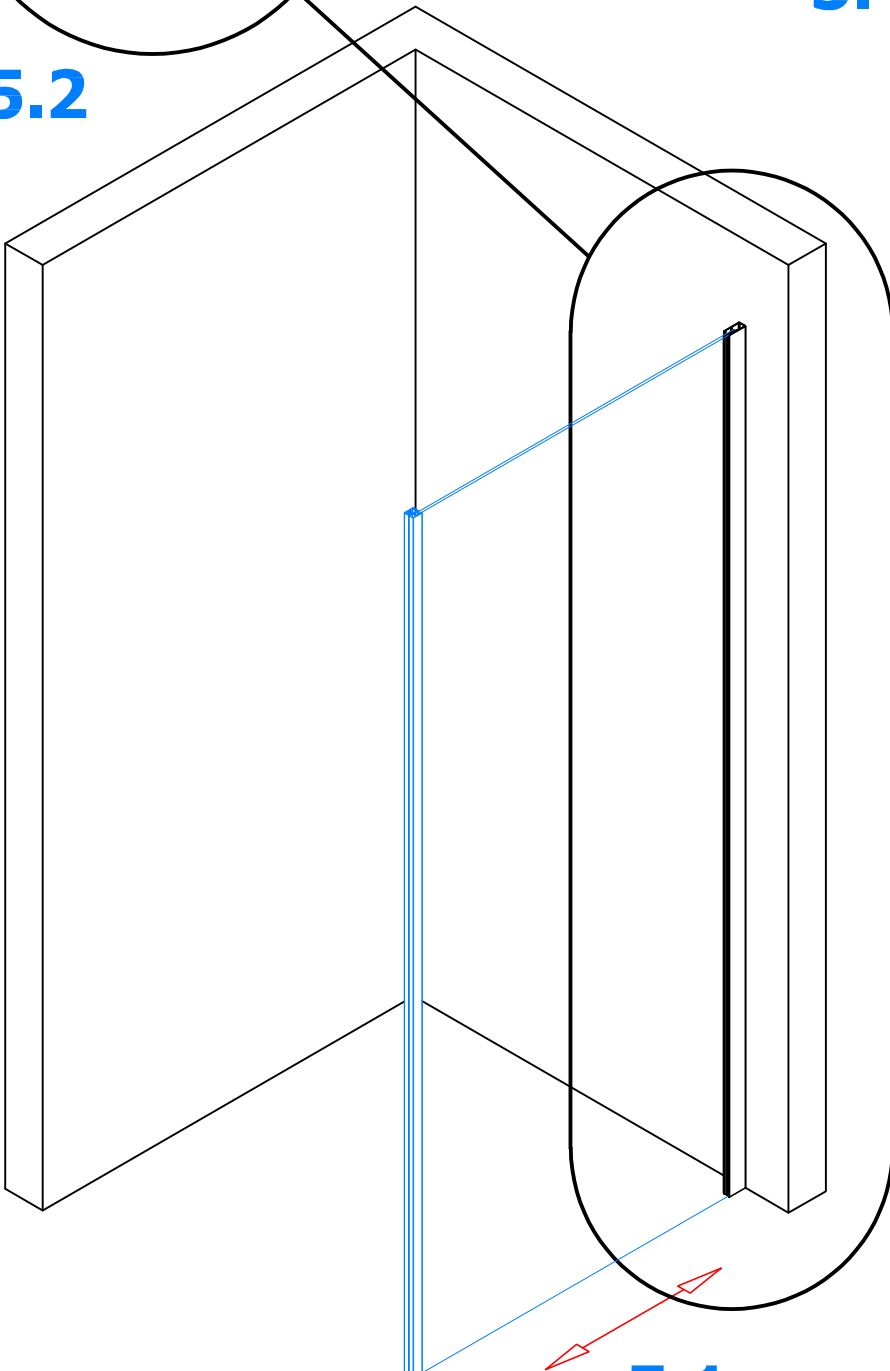
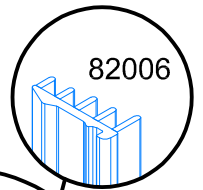
**5.1 → 5.4**



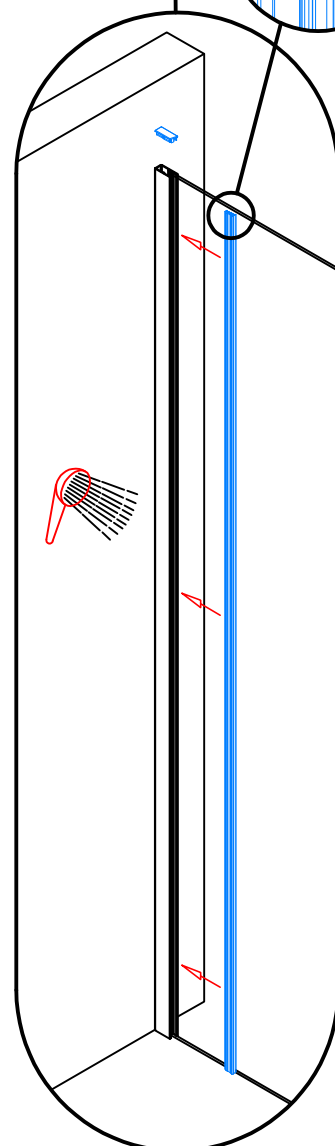
**5.2**



**5.4**

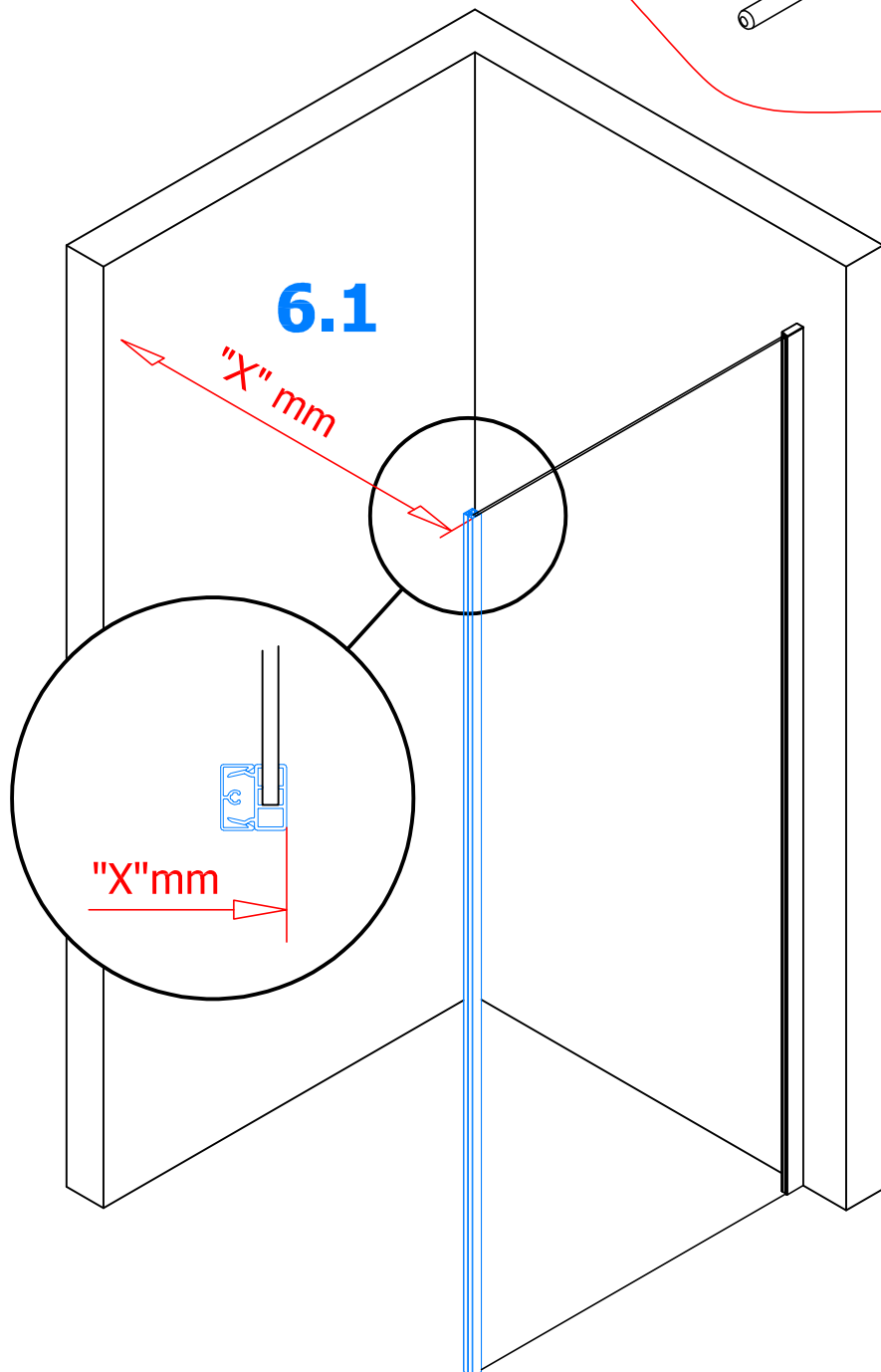
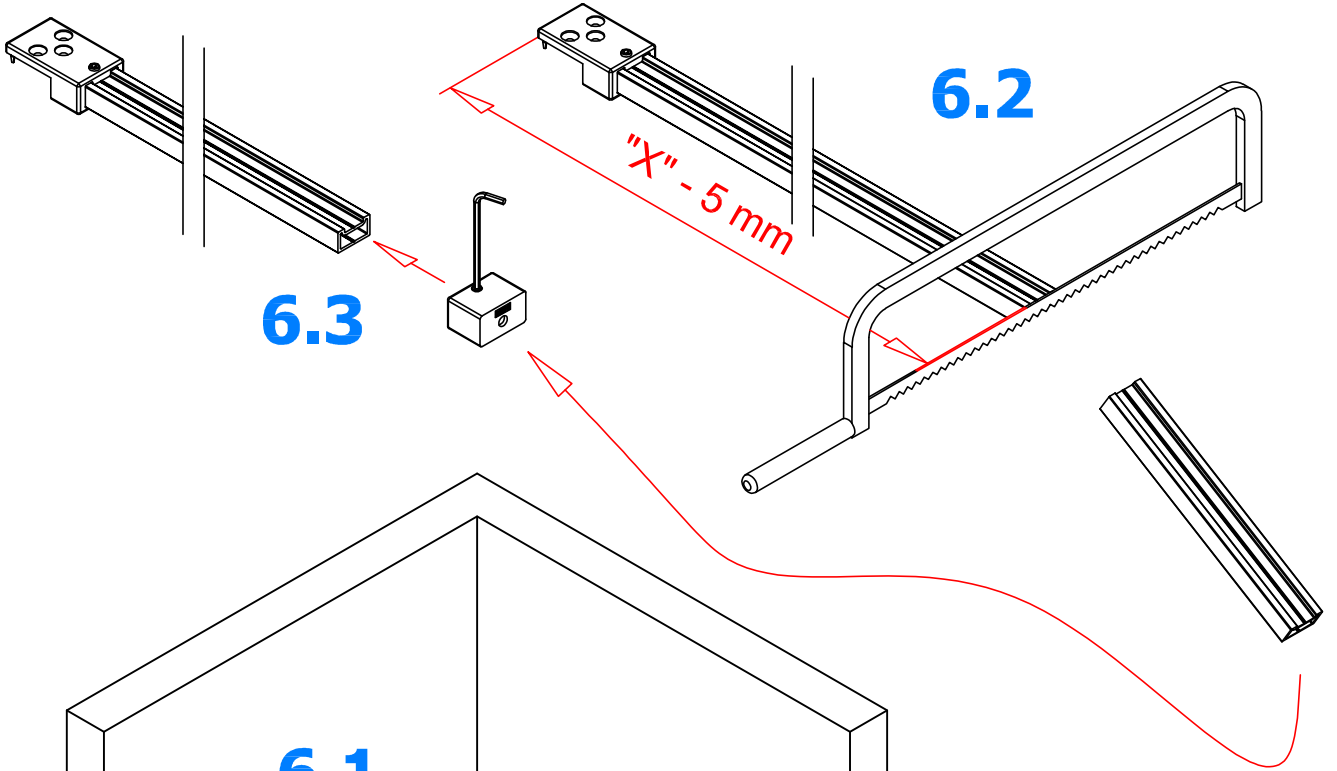


**5.1**



**5.3**

**6.1 → 6.3**

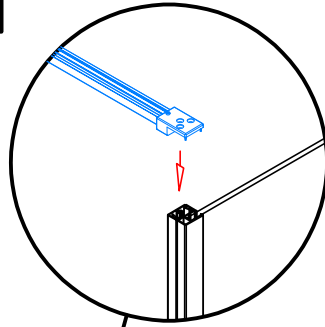
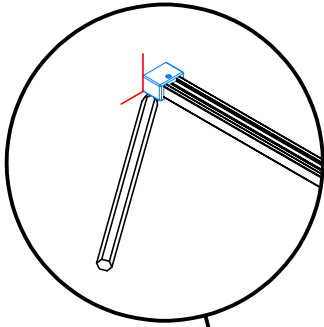




7.3

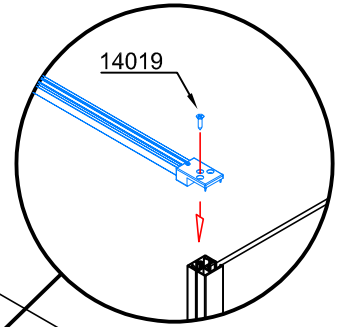
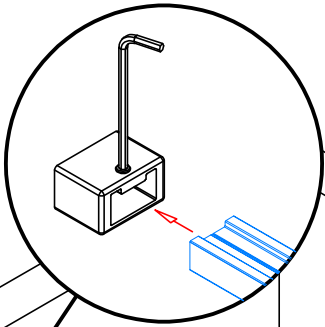
7.1 → 7.6

7.1



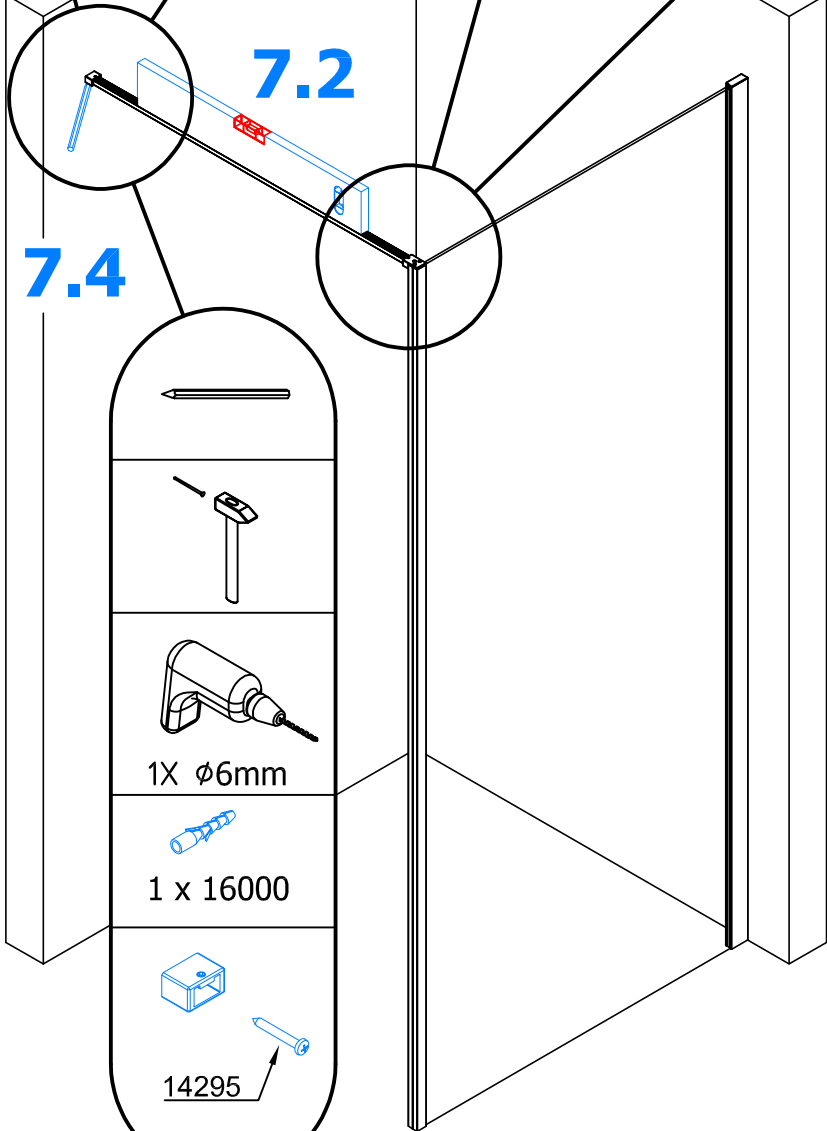
7.5


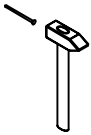
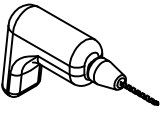


7.6



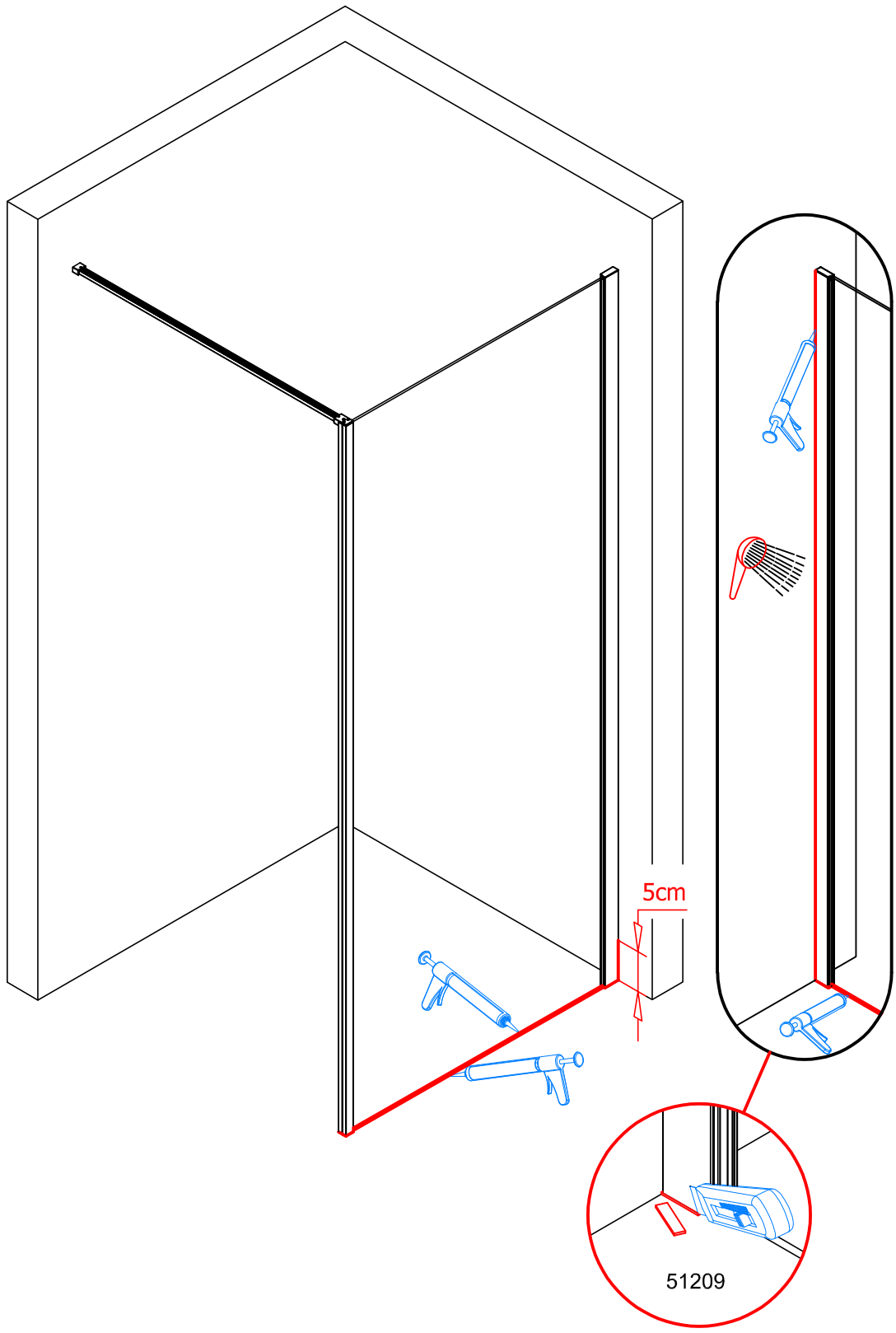
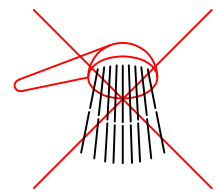
7.2

7.4



- 
- 
-   
1X  $\phi 6\text{mm}$
-   
1 x 16000
-   
14295

8.



5cm

51209