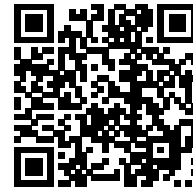
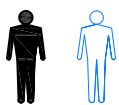
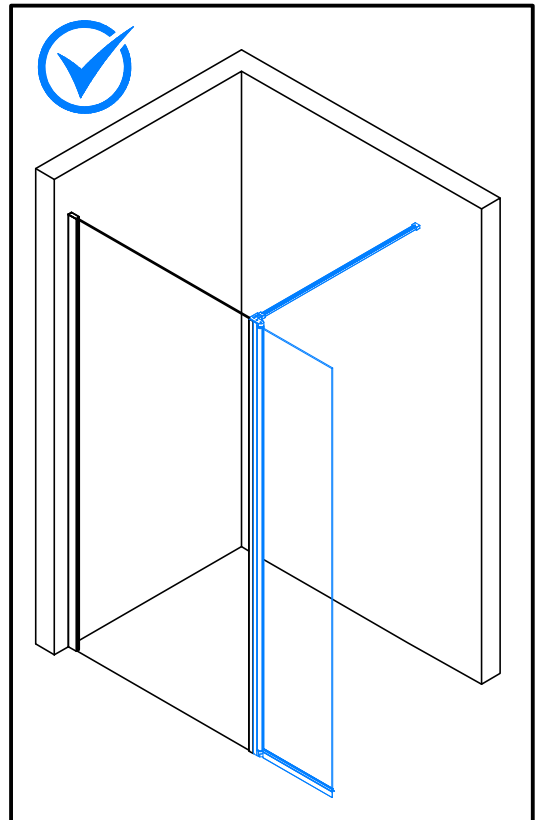
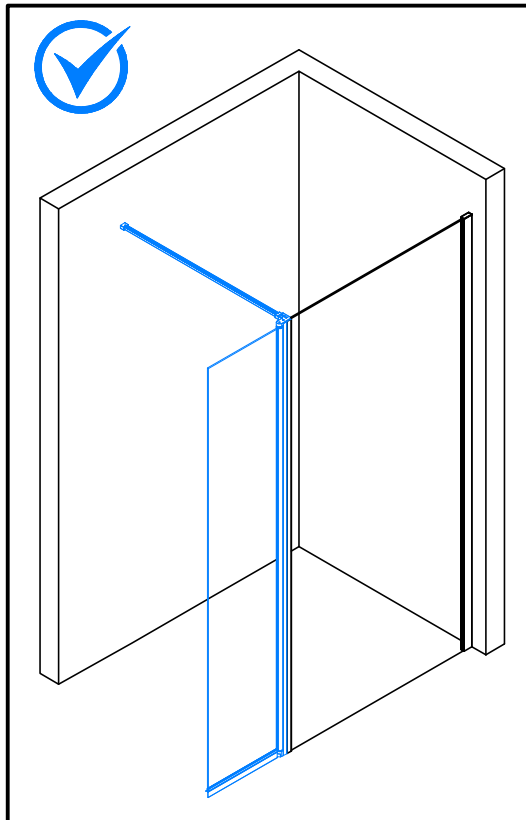


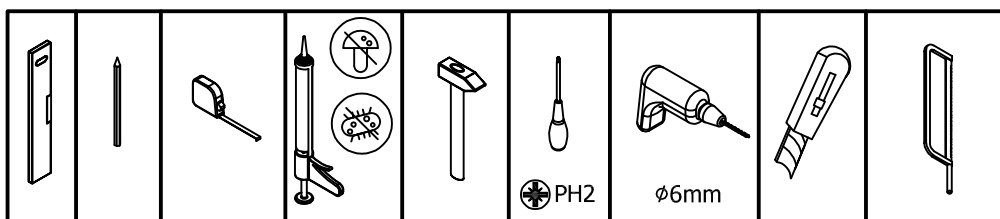
19753

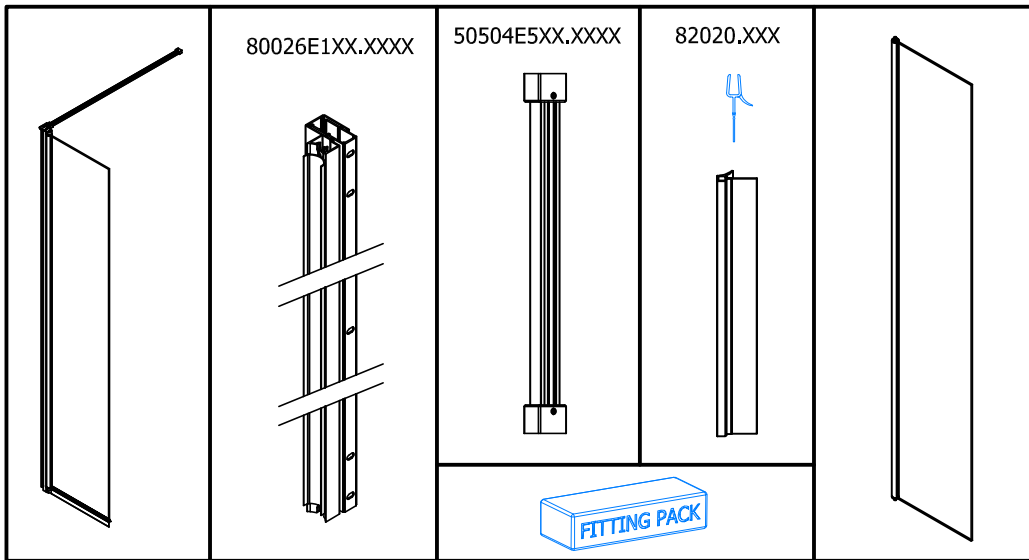


D22BTK3 + D22F1

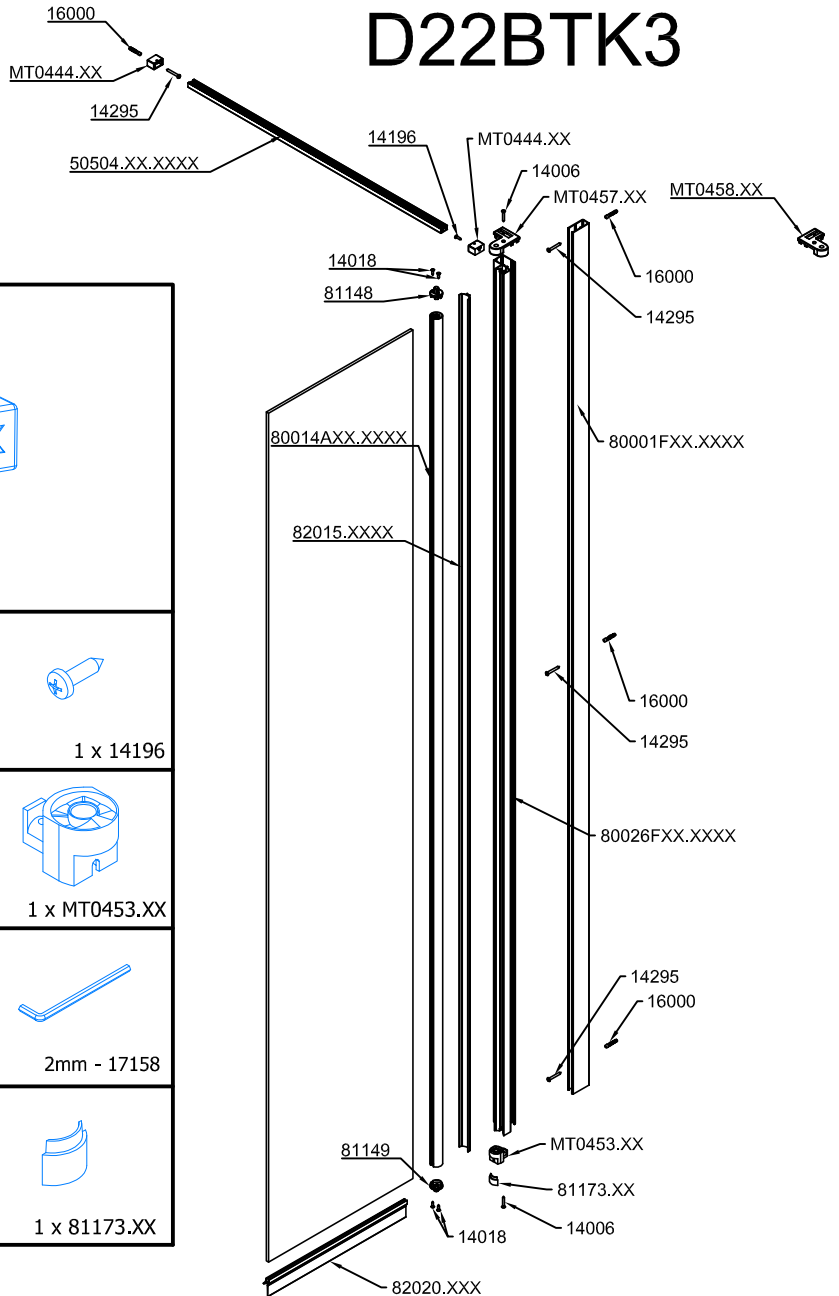








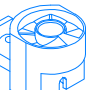






1x





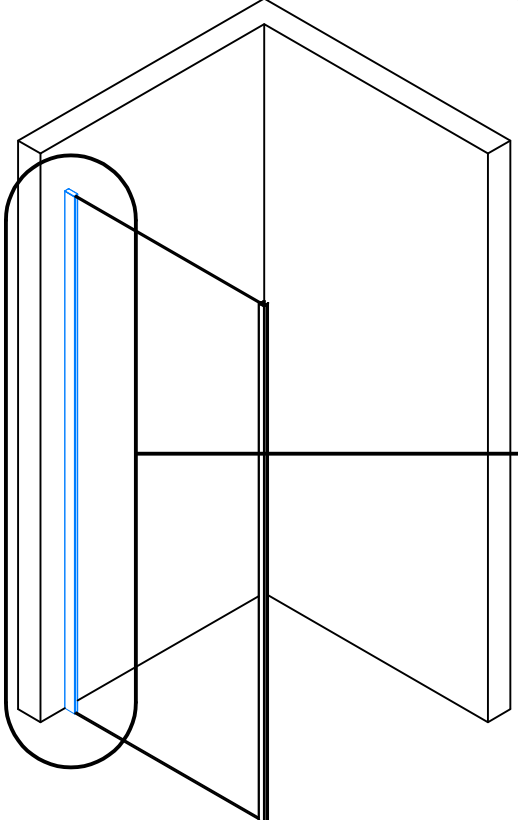
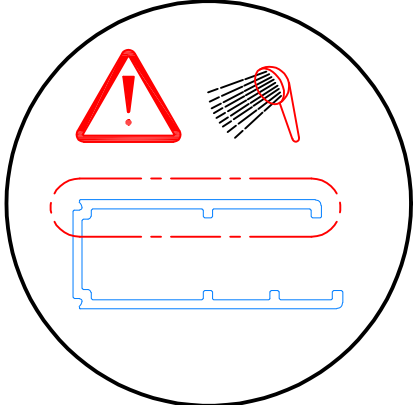
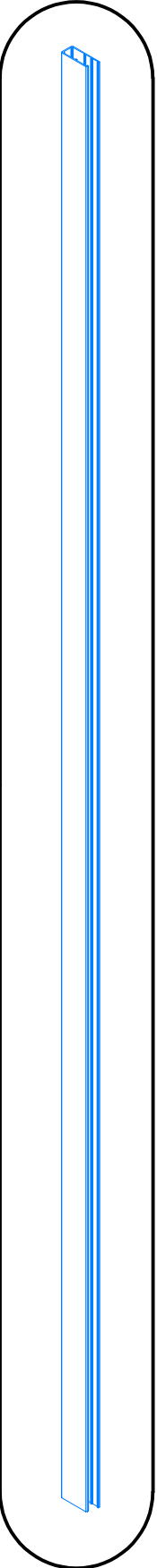
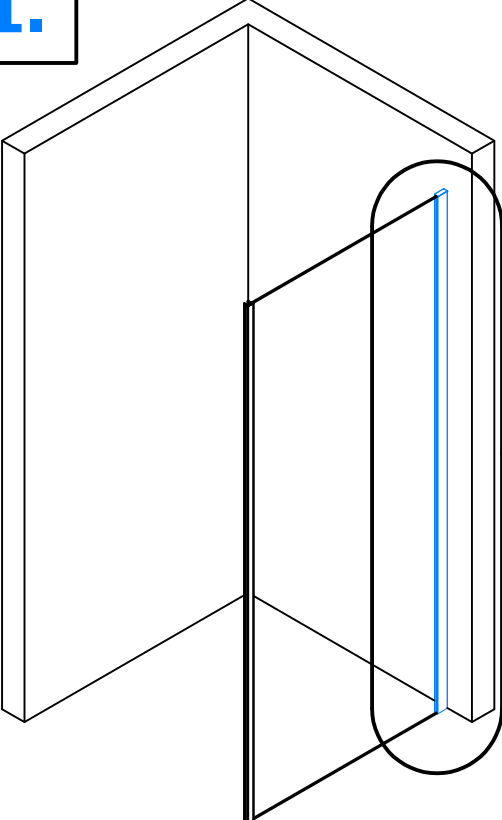
D22BTK3

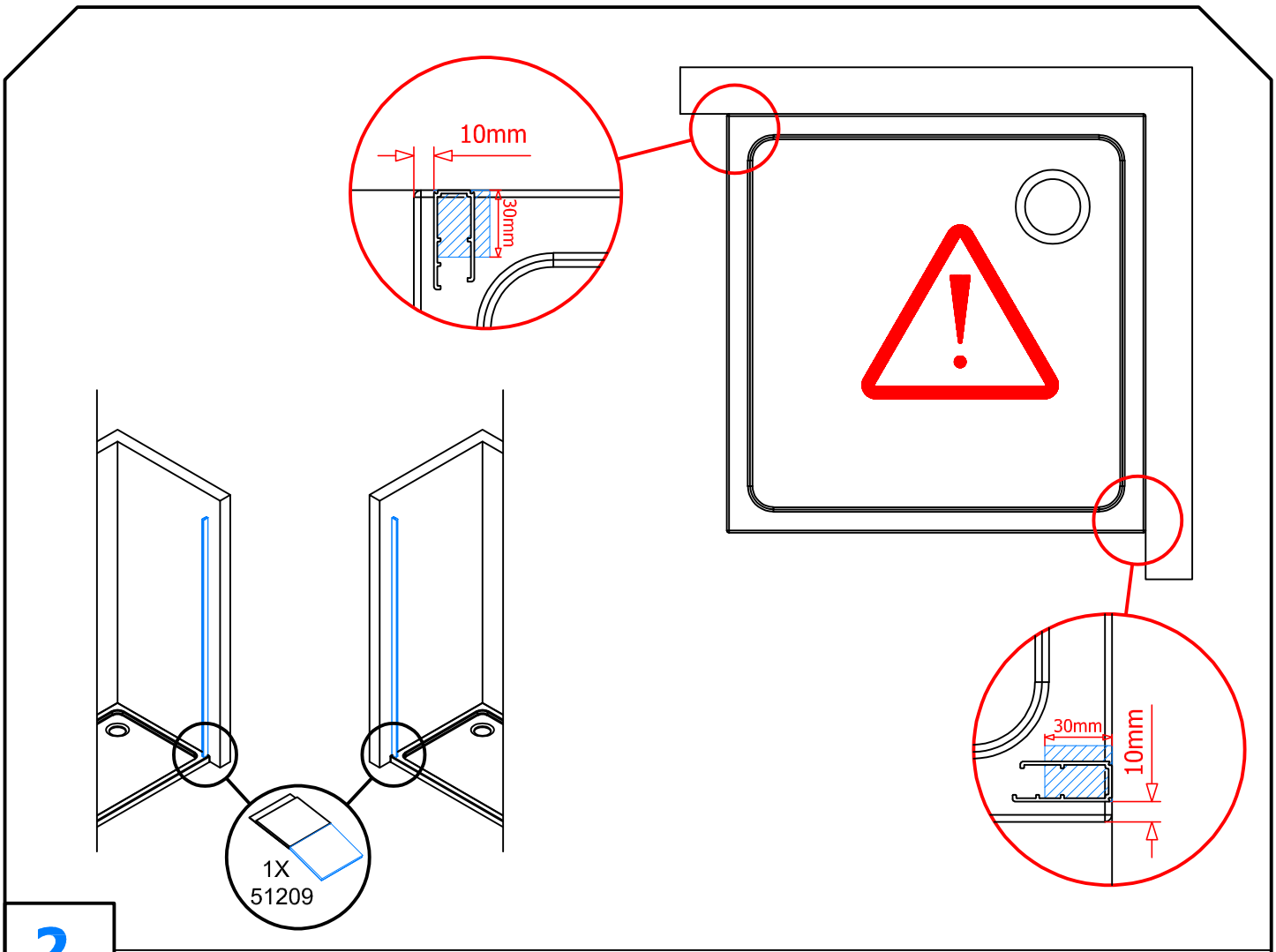


		
 4 x 16000 ϕ 6mm	 4 x 14295 4.2X32mm	 1 x 14196
 2 x 14006	 1 X 81149.XX	 1 x MT0453.XX
 1 x MT0457.XX	 1 x MT0458.XX	 2mm - 17158
 14041 ϕ 3mm	 1 x 11221	 1 x 81173.XX

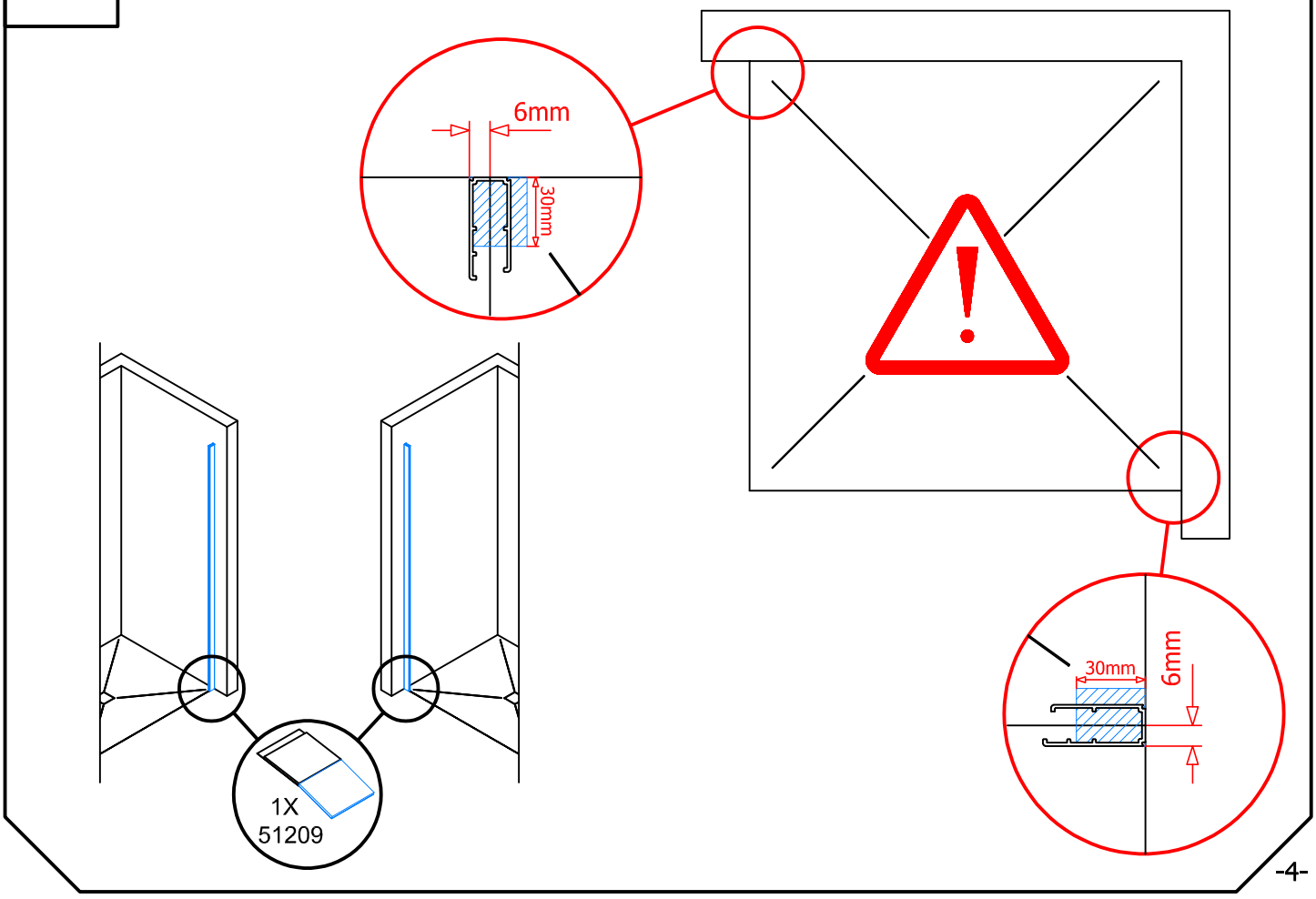
1.

80001FXX.XXXX

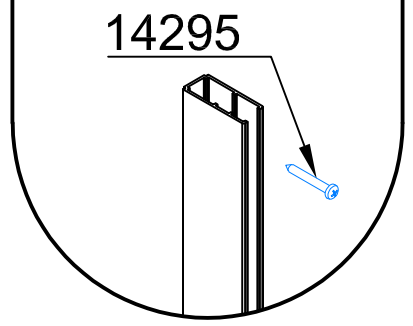
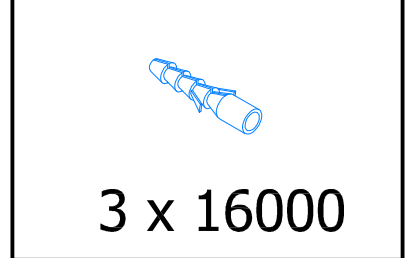
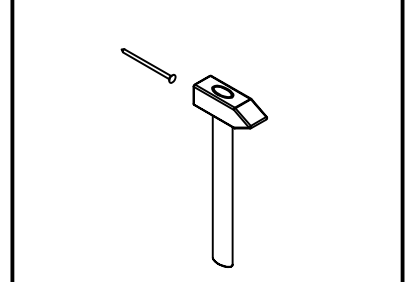
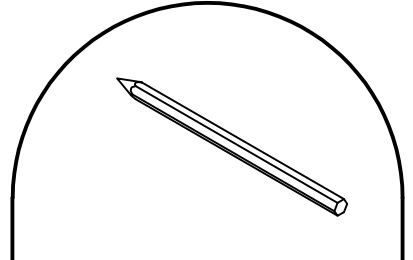
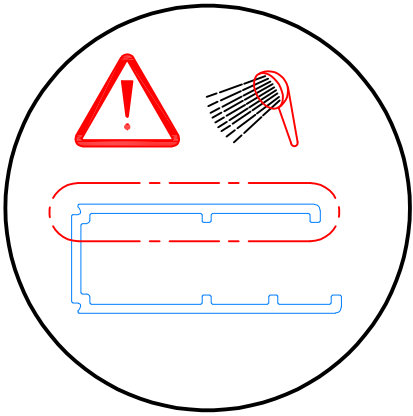
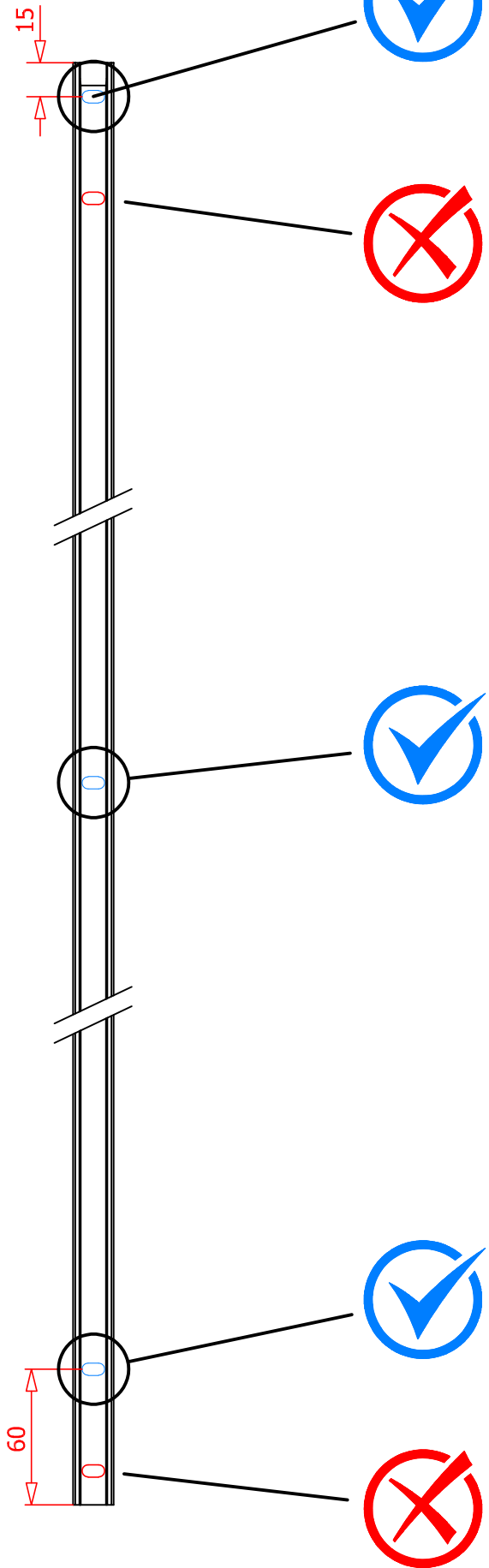


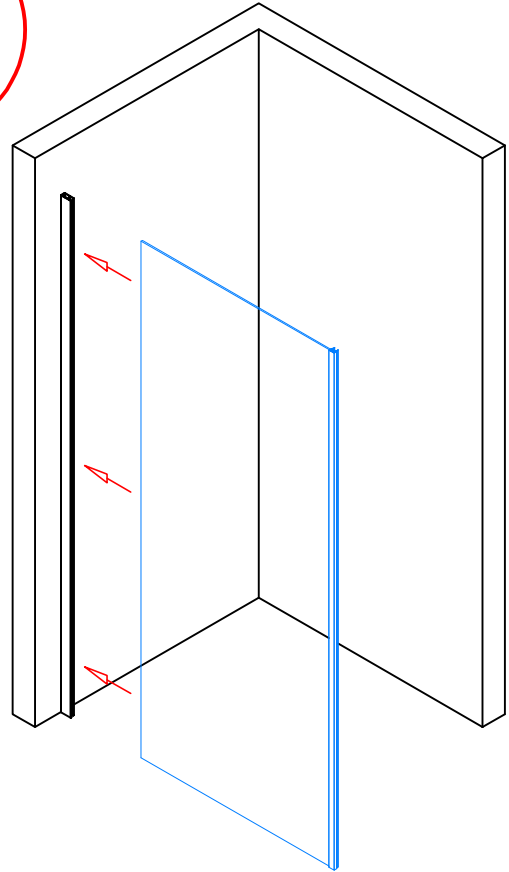
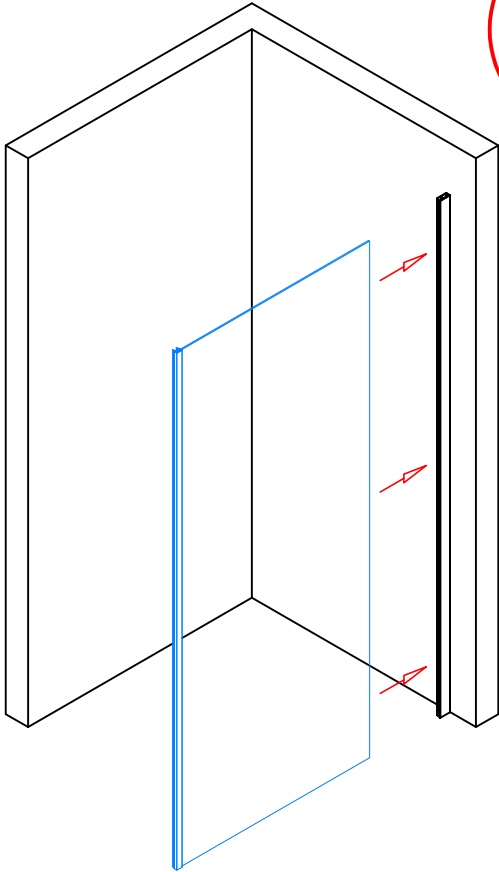
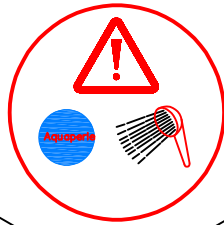


2.

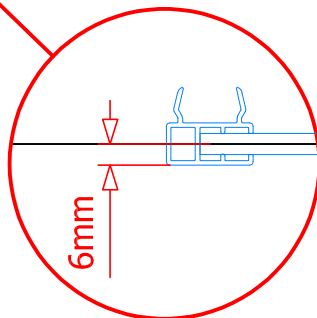
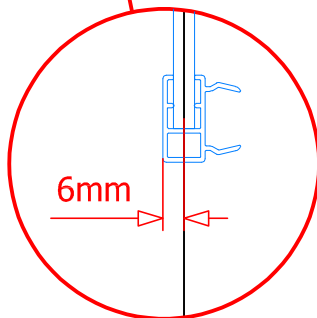
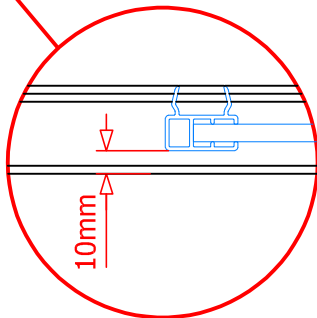
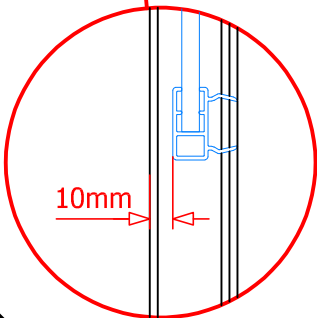
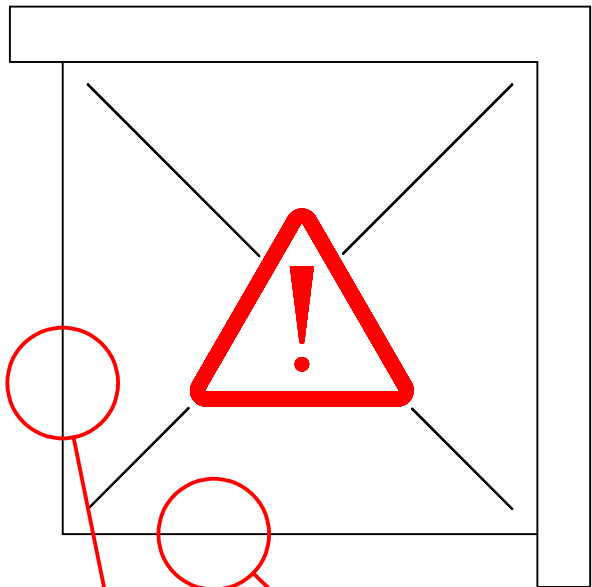
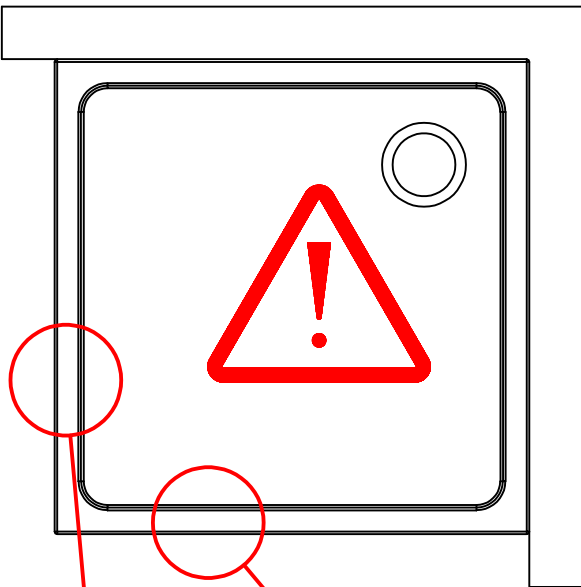


3.



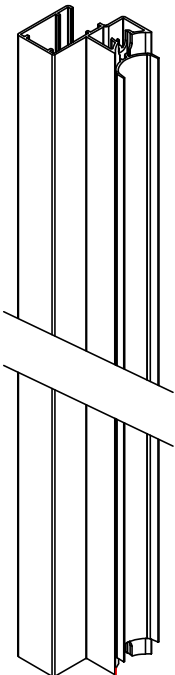


4.



5.1 → 5.2

80026E1XX.XXXX



5.1



MT0453.XX

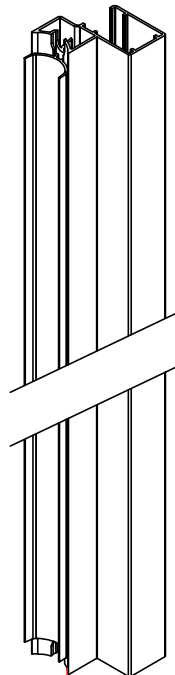


81173.XX

14006



80026E1XX.XXXX



MT0453.XX

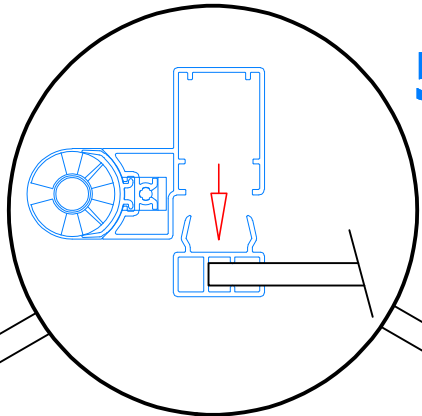


5.1

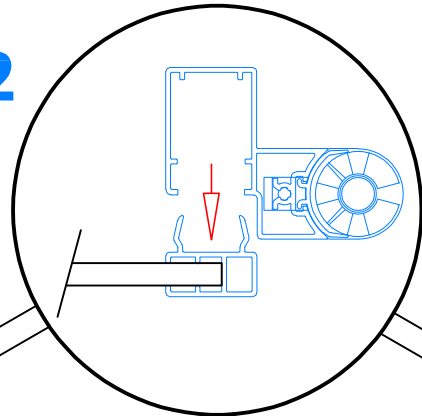
81173.XX



14006

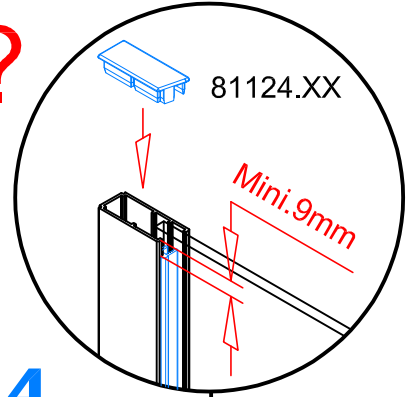
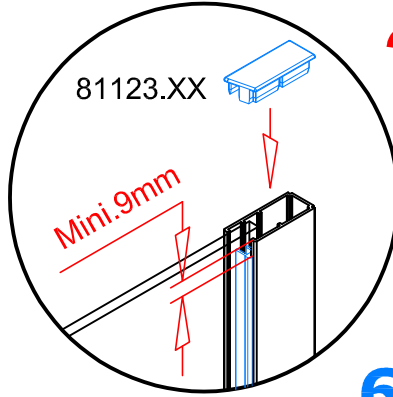
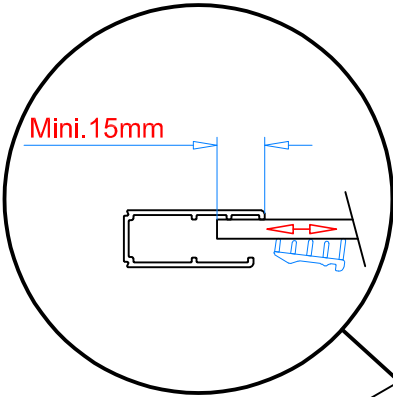


5.2



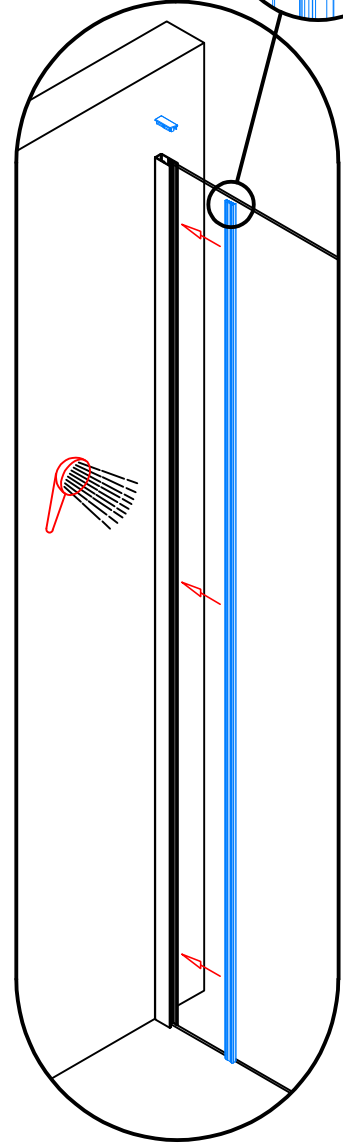
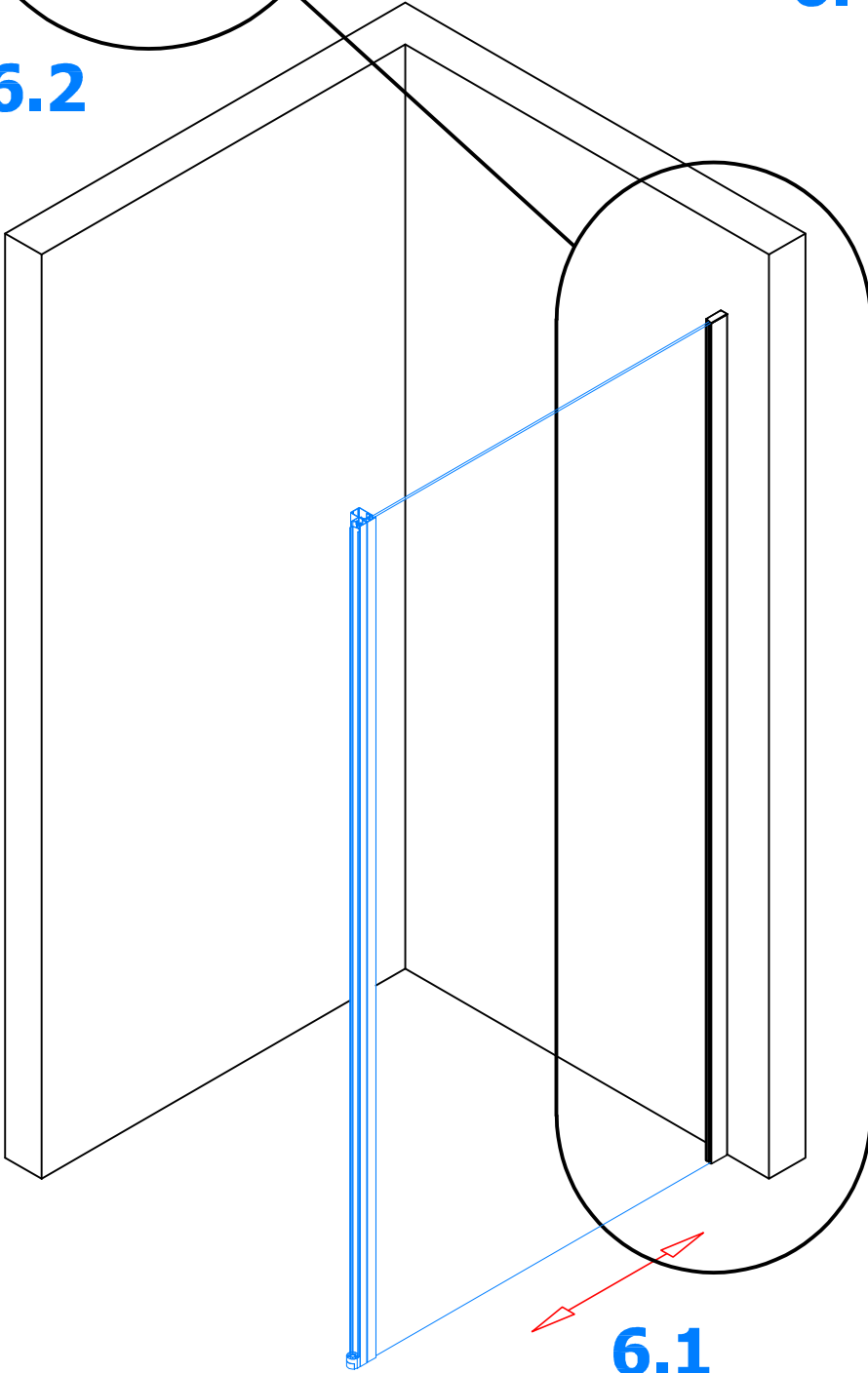
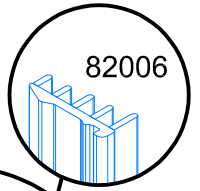
5.2

6.1 → 6.4



6.2

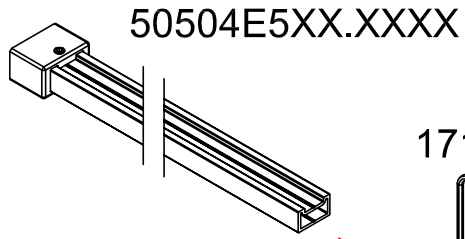
6.4



6.1

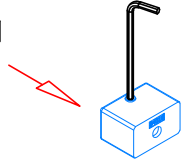
6.3

7.1 → 7.3

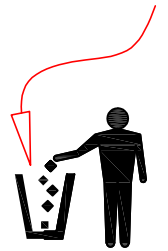
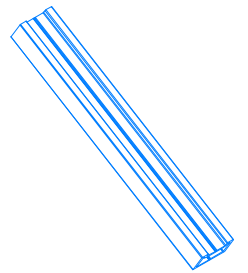
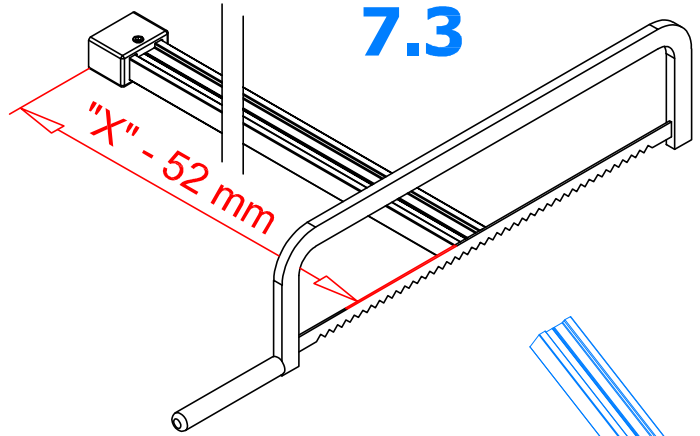


7.1

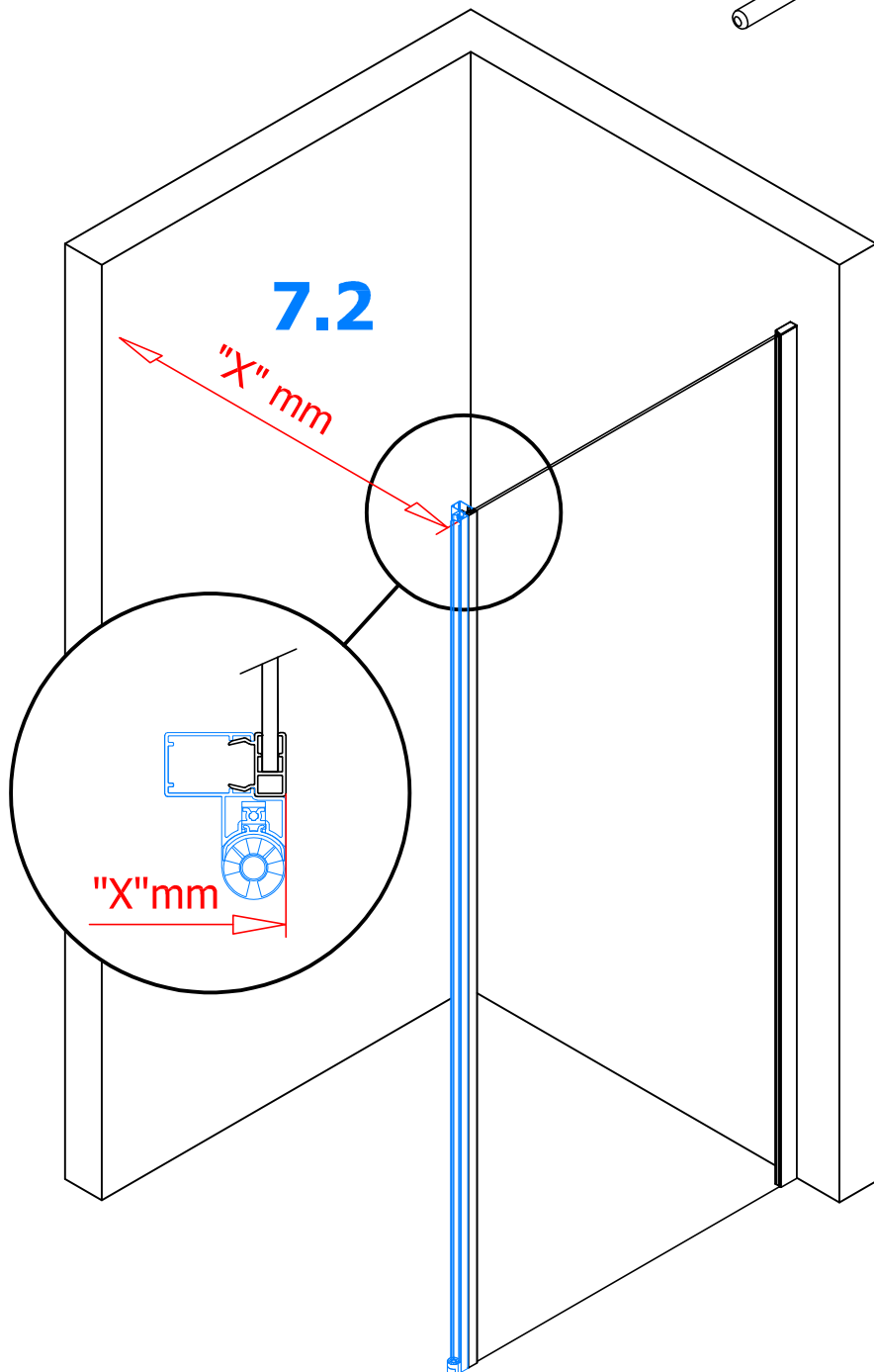
17158



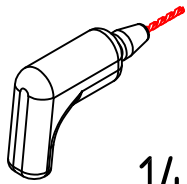
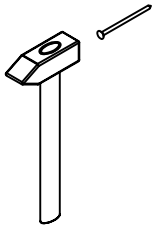
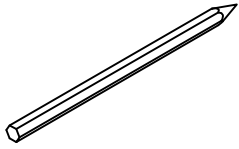
MT0444.XX



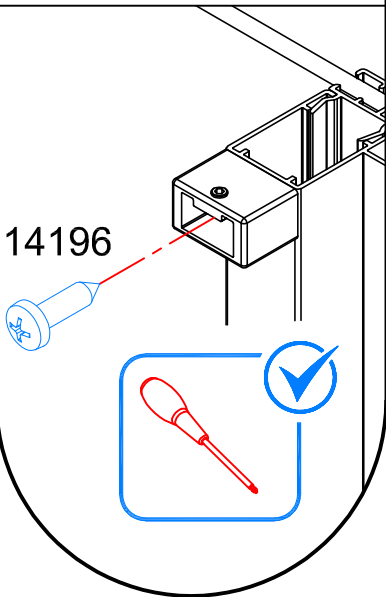
7.2



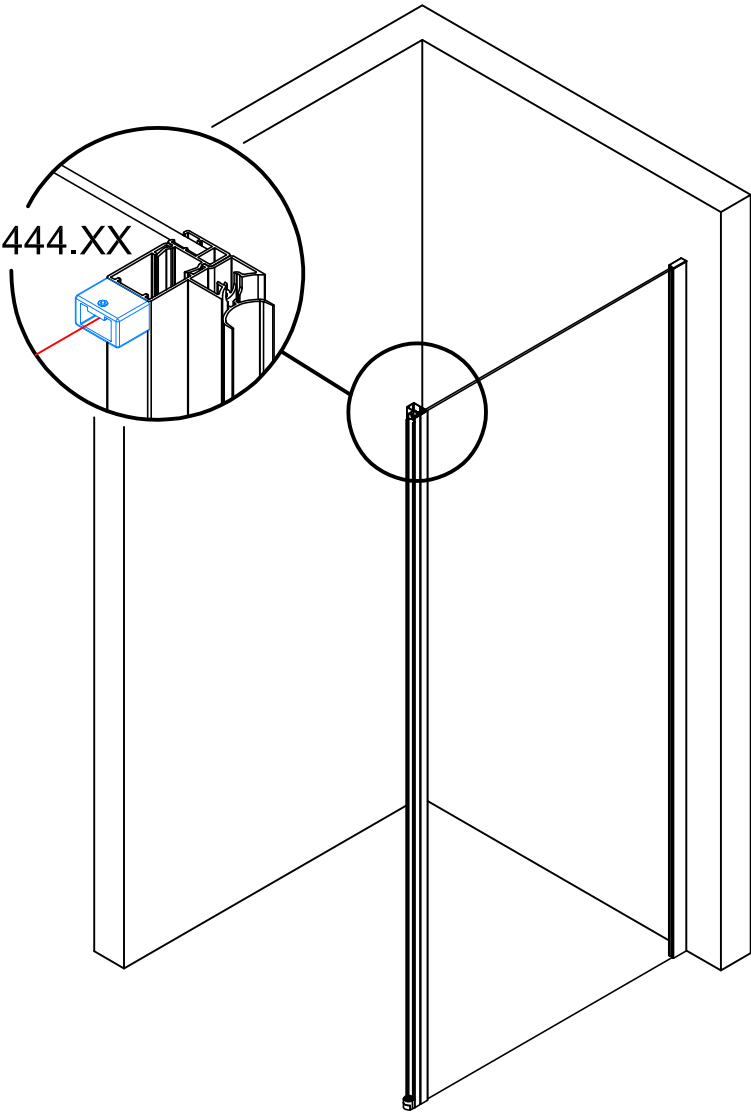
8.



14041
Ø3mm



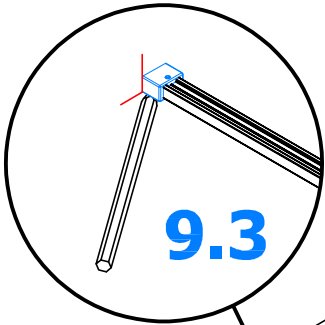
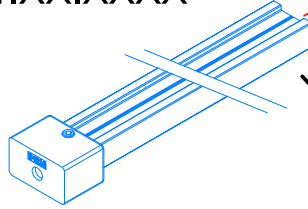
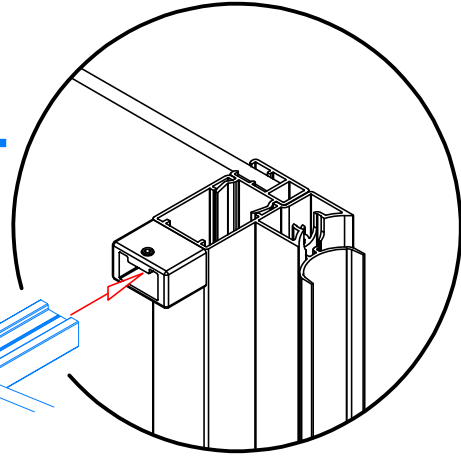
MT0444.XX



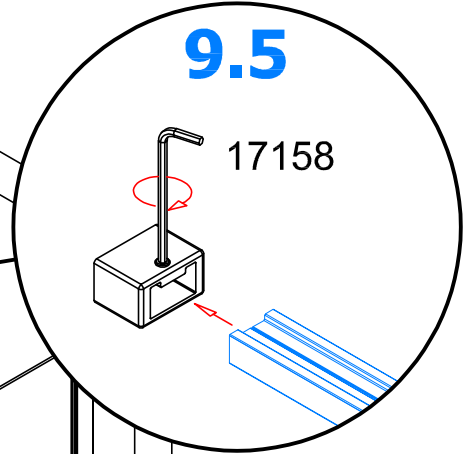
9.1 → 9.6

9.1

50504.XX.XXXX

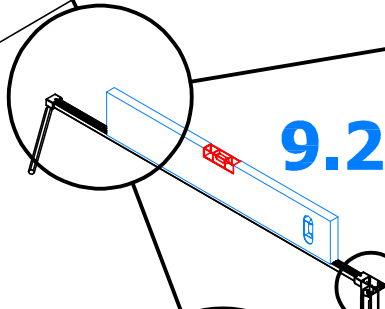


9.3

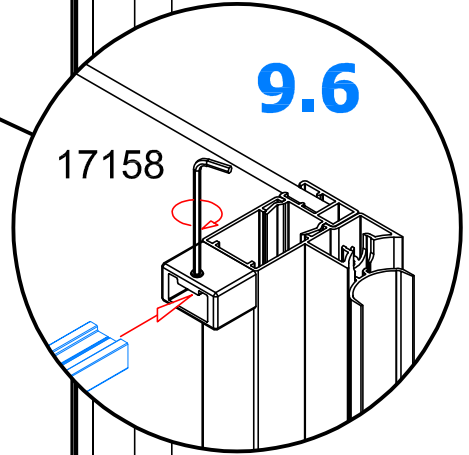


9.5

17158



9.2



9.6

17158

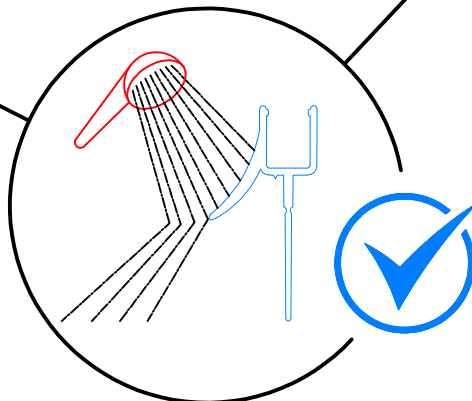
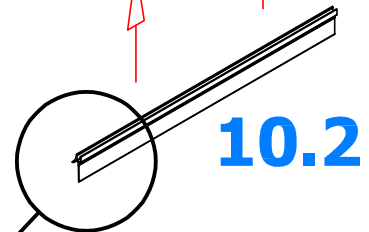
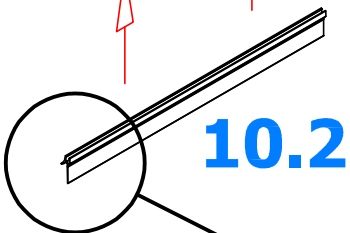
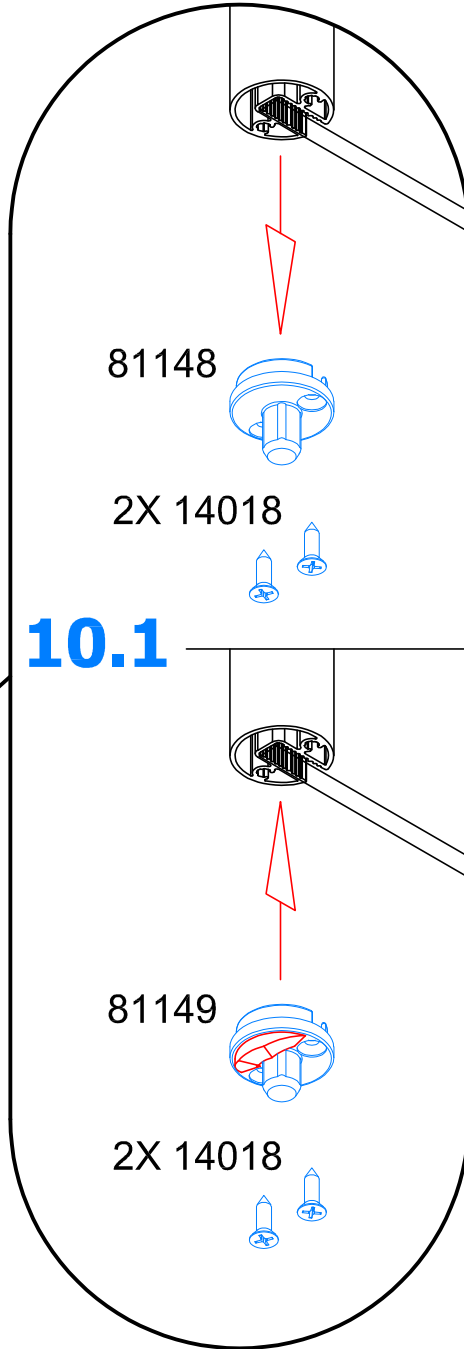
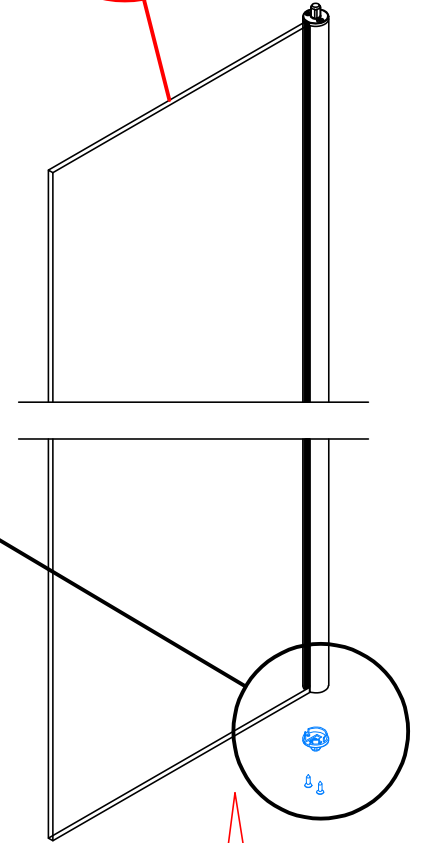
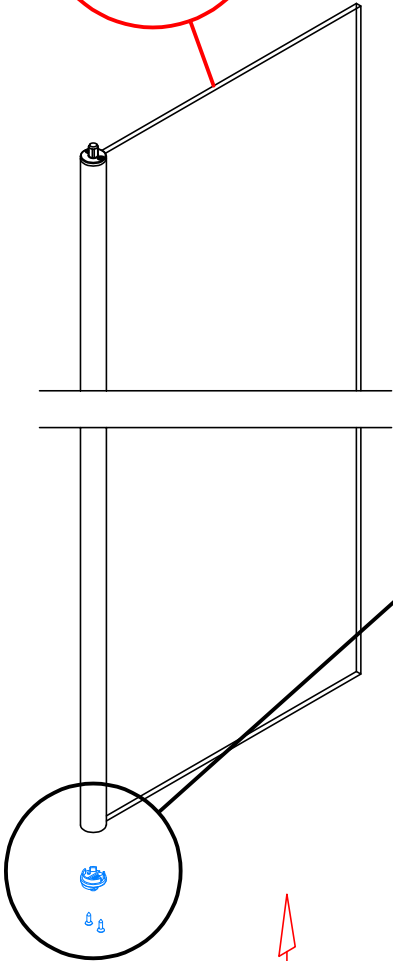
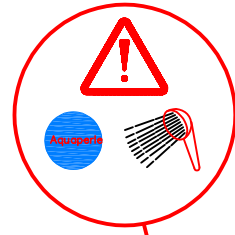
9.4

-
-
- 1X \varnothing 6mm
- 1 x 16000
- MT0444.XX
- 14295

D22BTK3 L

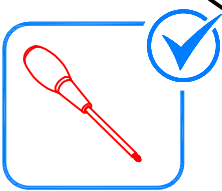
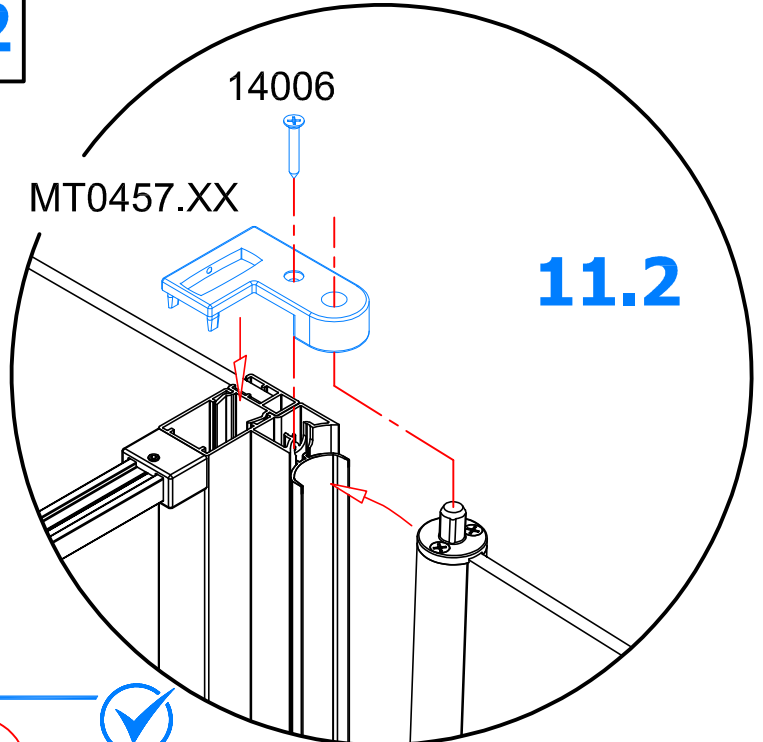
10.1 → 10.2

D22BTK3 R

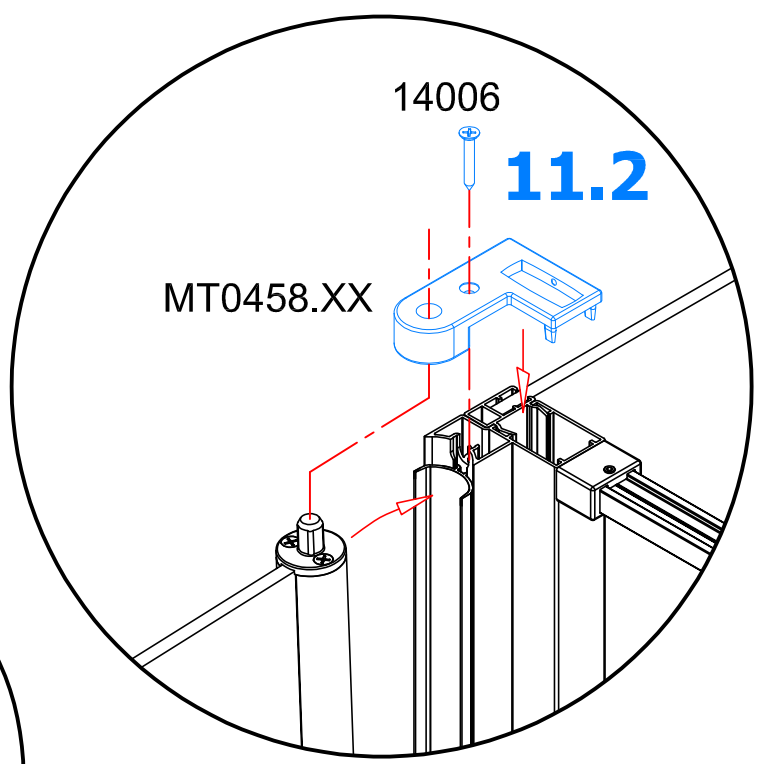


11.1 → 11.2

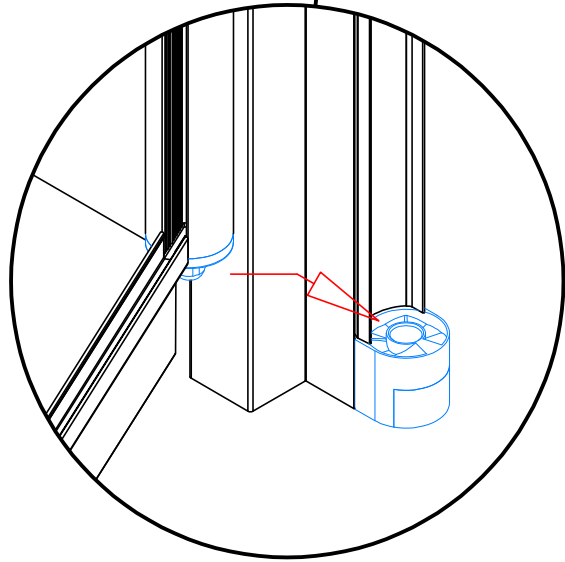
D22BTK3 R



D22BTK3 L



11.1



12.

