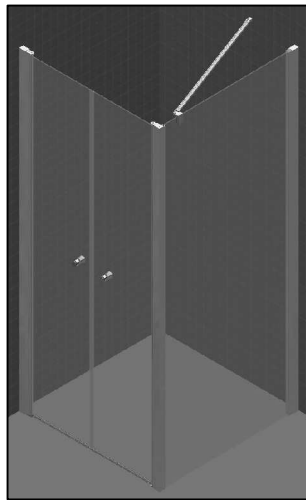
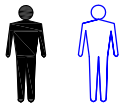
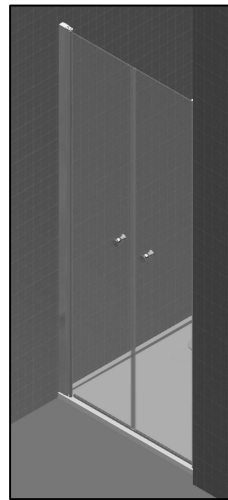


19427

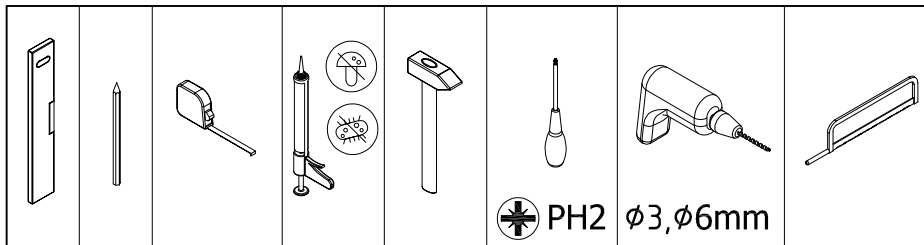
1. - 9.



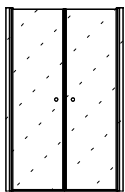
10. - 17.



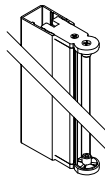
1x



PH2 $\phi 3, \phi 6\text{mm}$



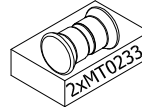
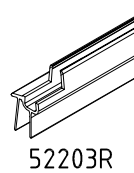
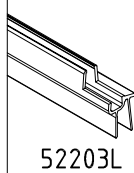
2x50007E
(50012+50007)



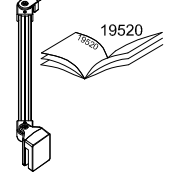
2x42356.1



2x52203U21000.F

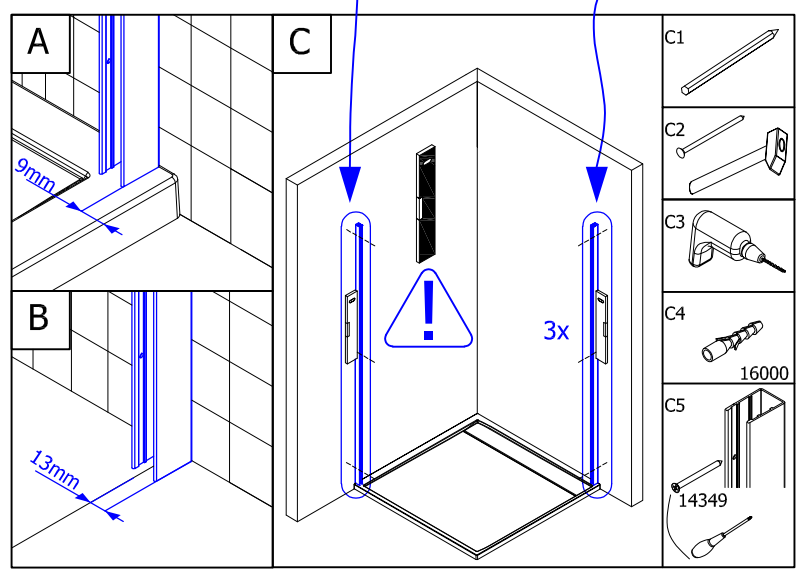
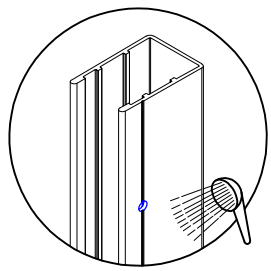
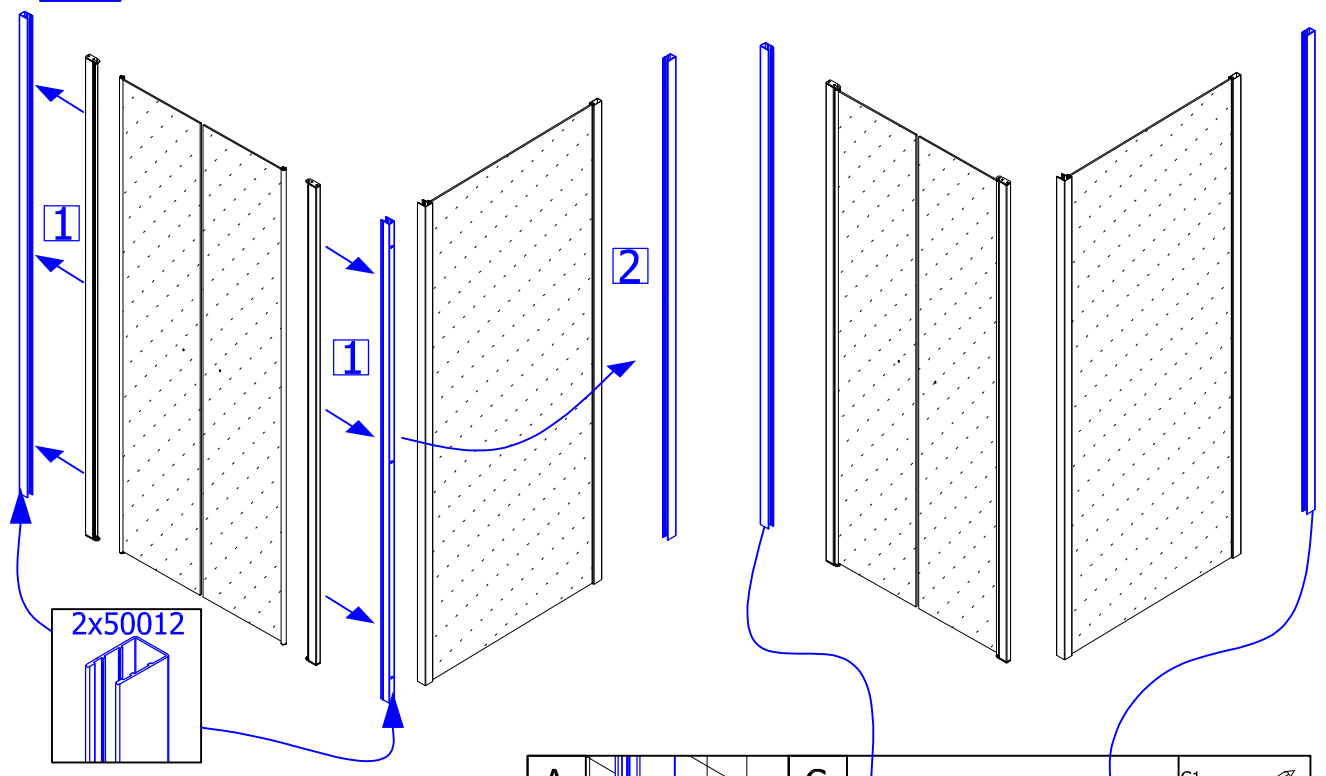


MT0324.xx.xxx
(1x)

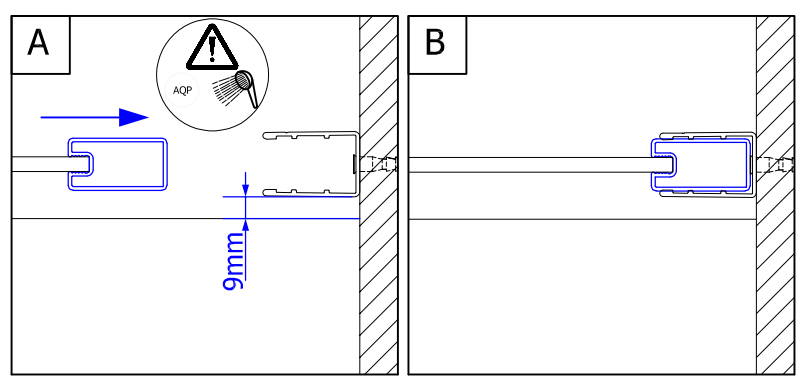
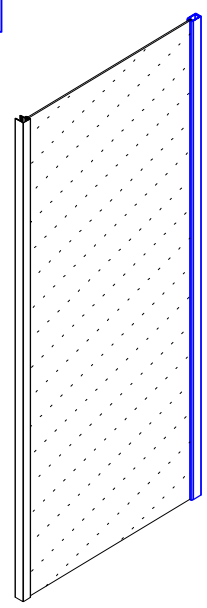


	 1 x 11221	 2 x 51400	 6 x 14349 4,2 x 45mm	 6 x 14003 3,5x9,5mm	 6x51337	 6x51338
	 1 x 51339	 1 x 51399	 3x51337	 3 x 14003 3,5x9,5mm	 1x51412	 1 x 51439/440
			 3x51338			

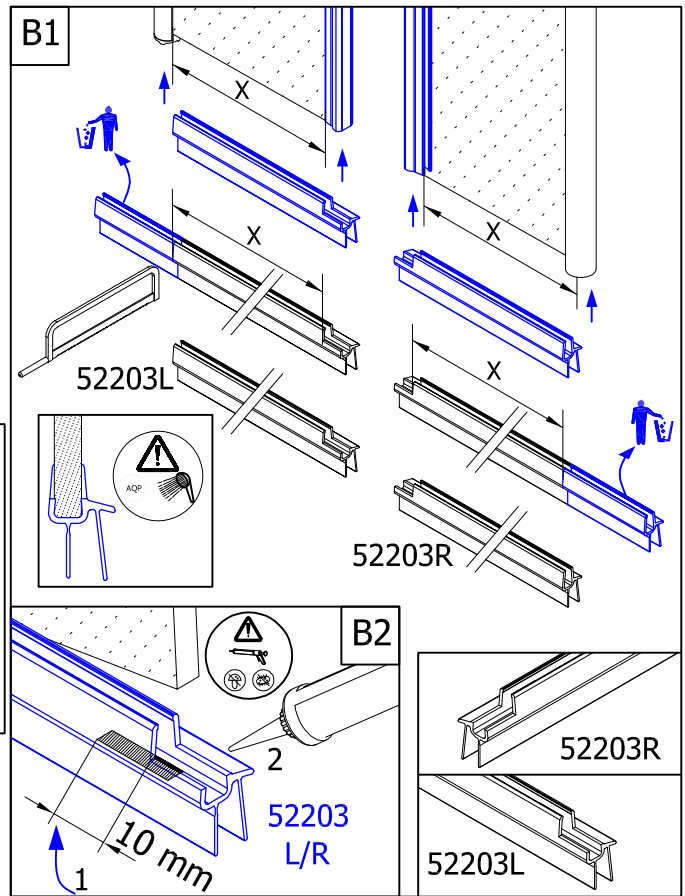
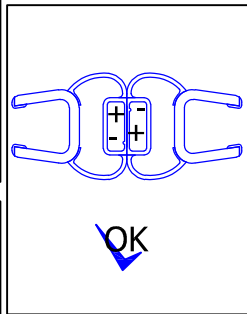
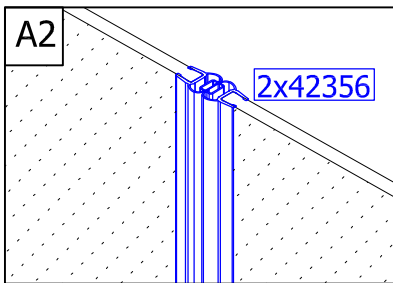
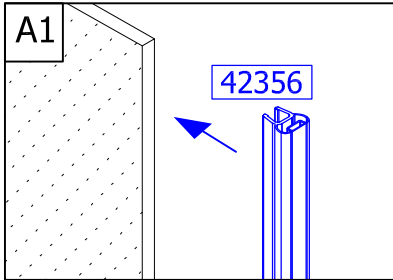
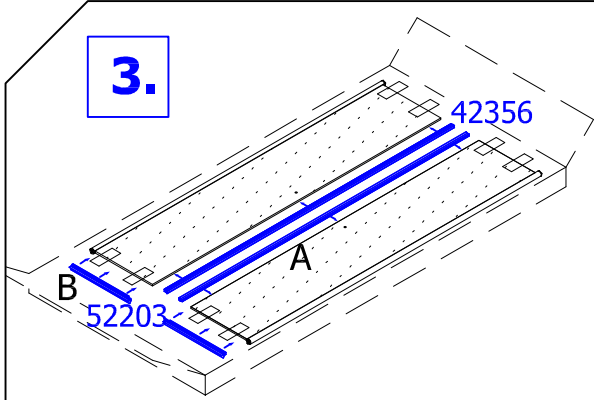
1.



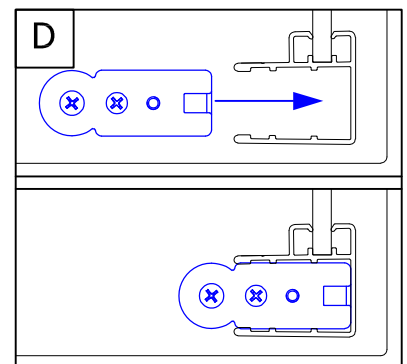
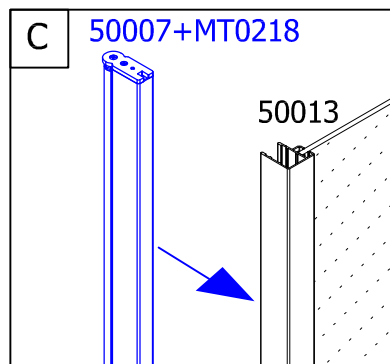
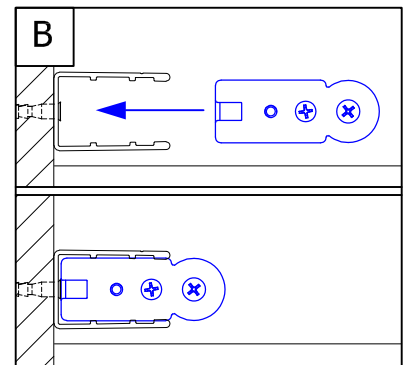
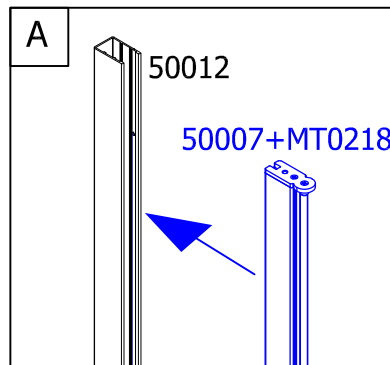
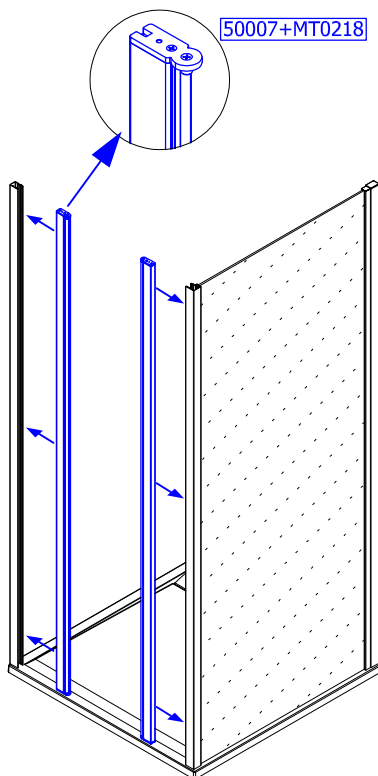
2.

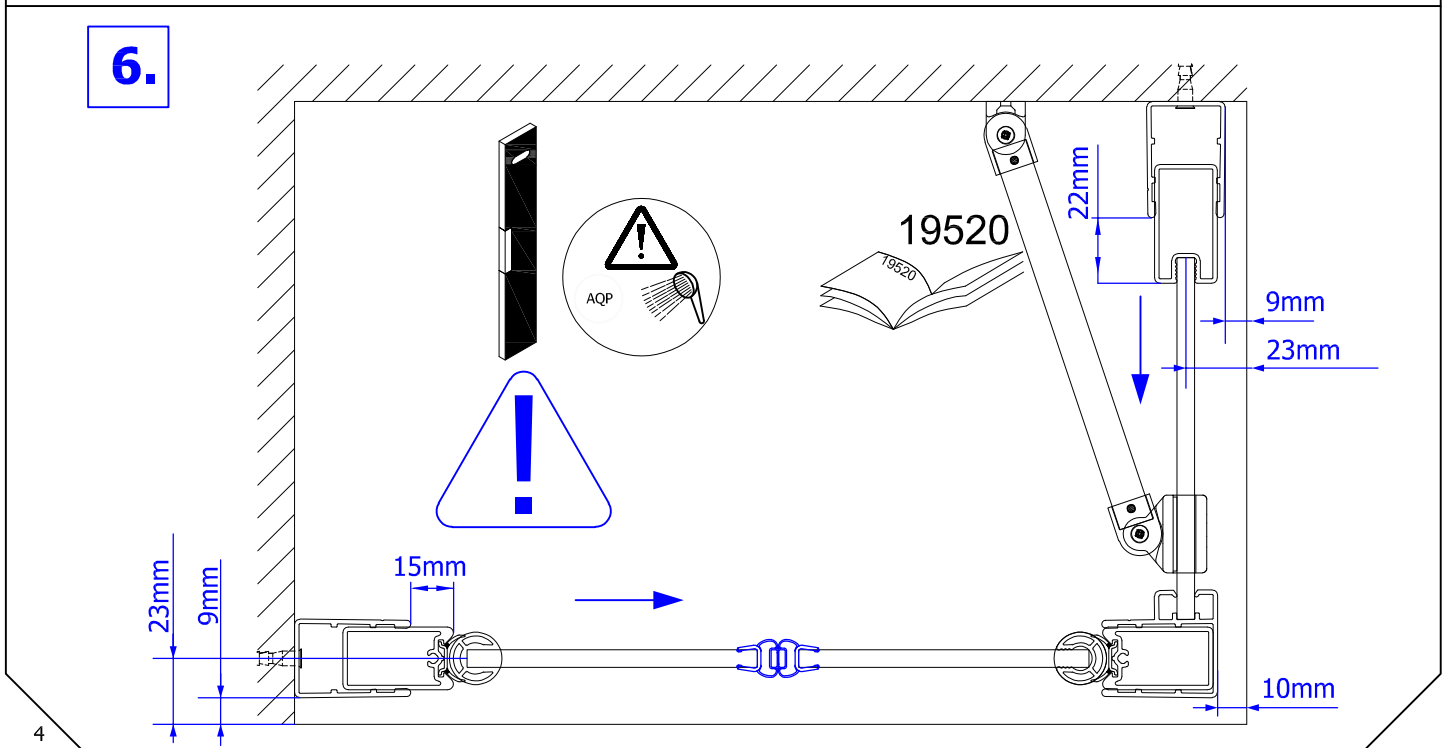
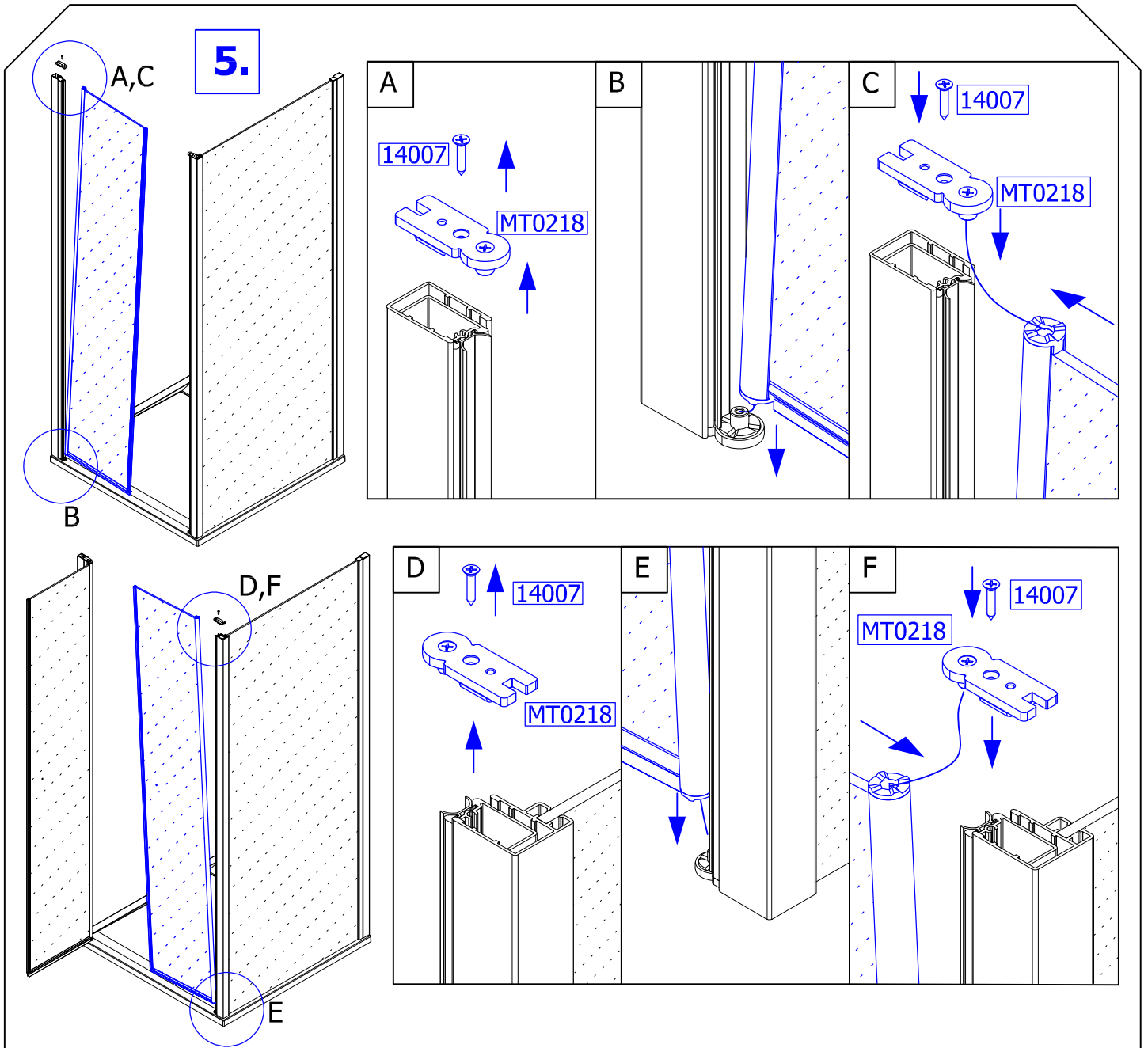


3.

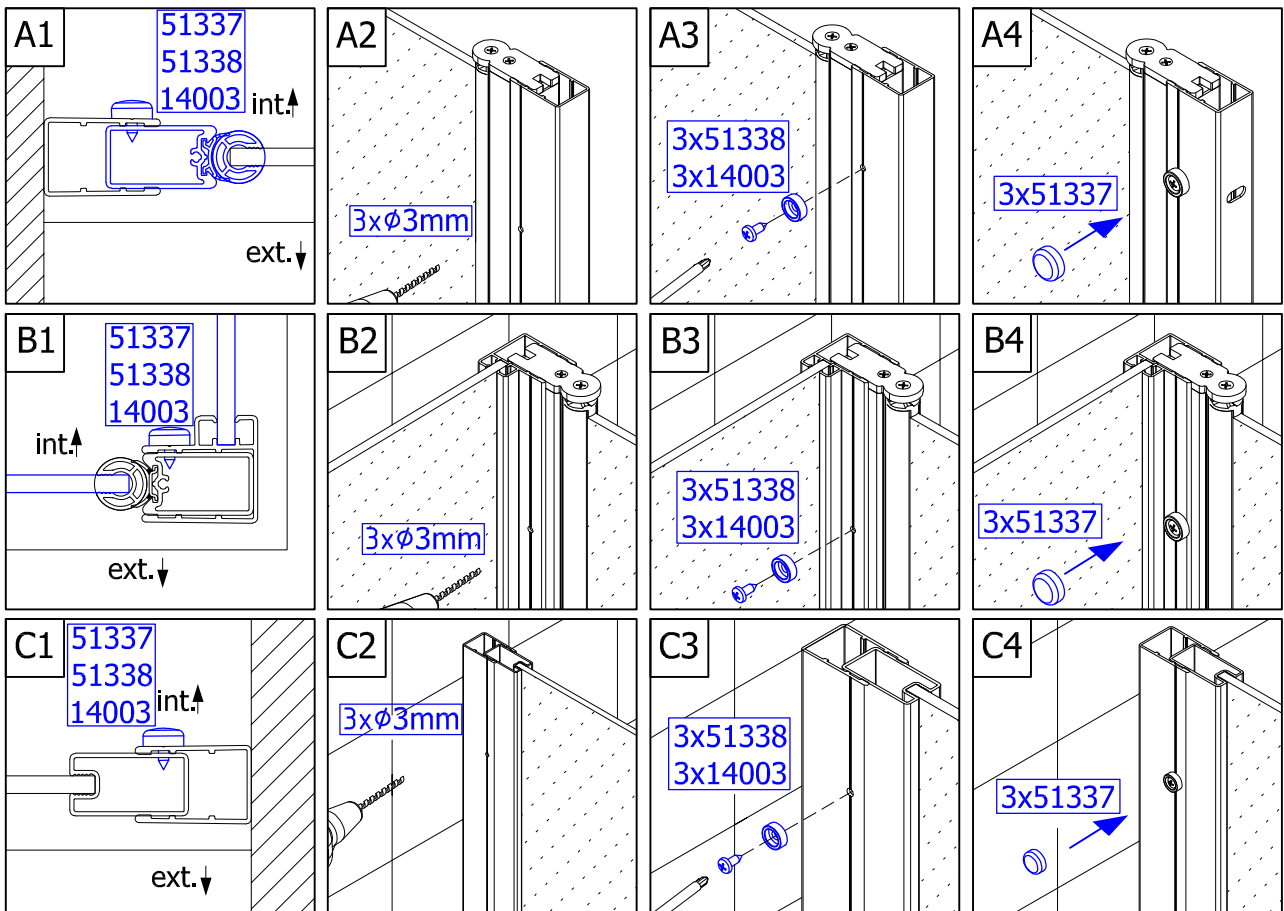
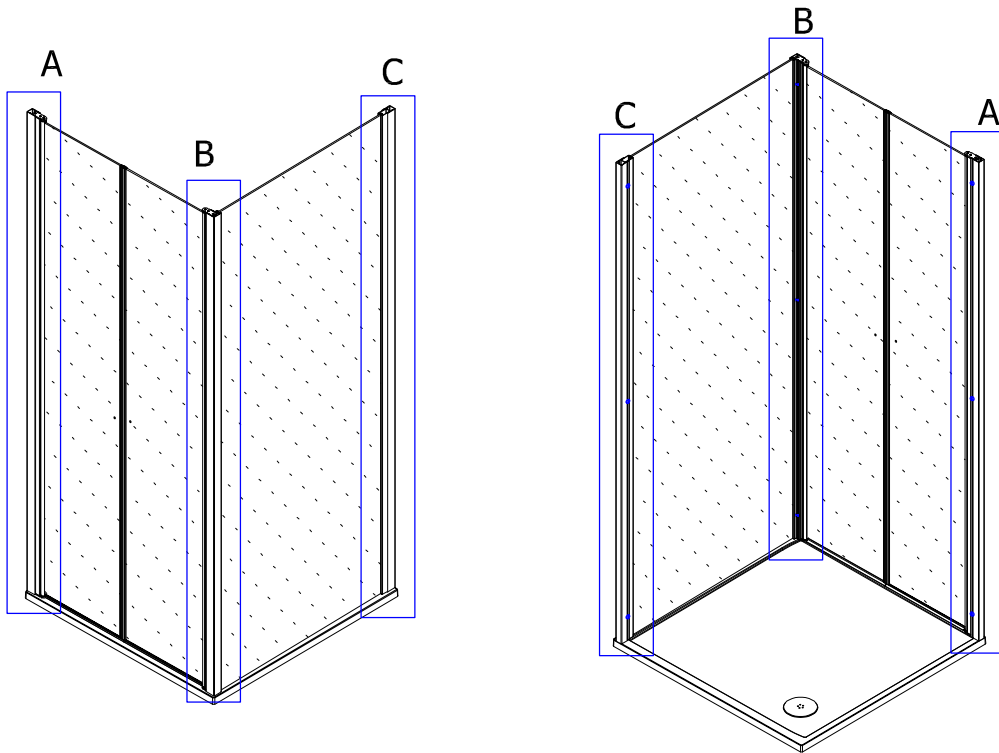


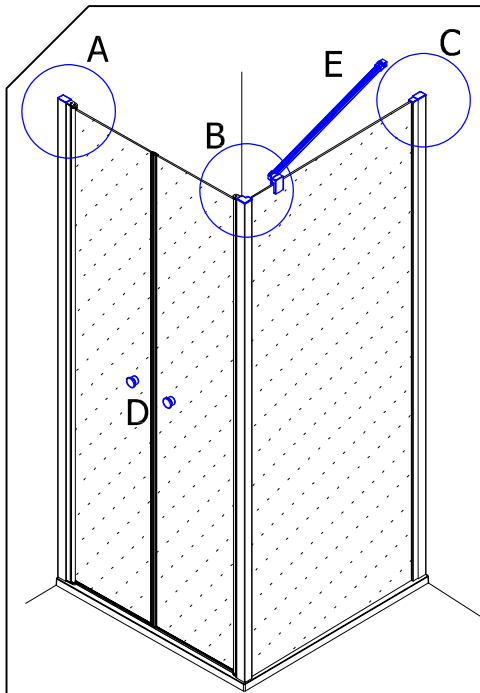
4.



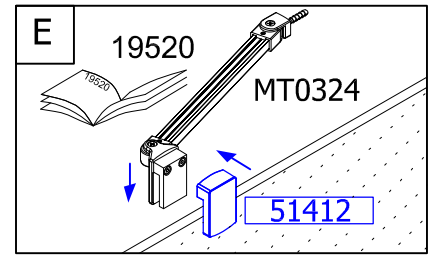
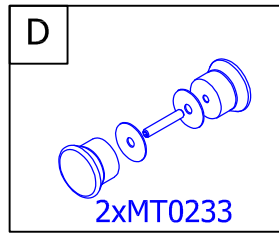
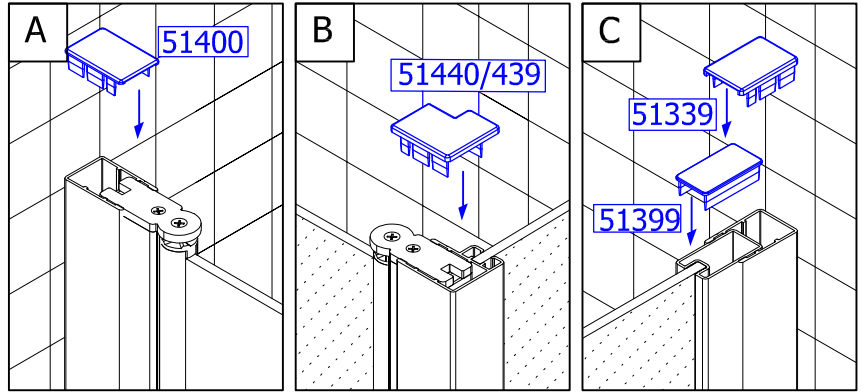


7.

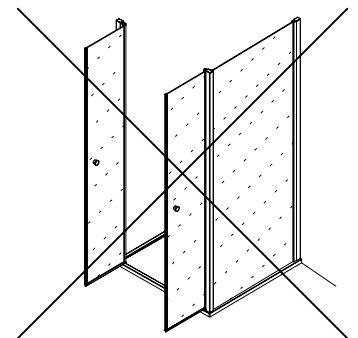
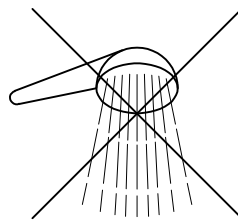
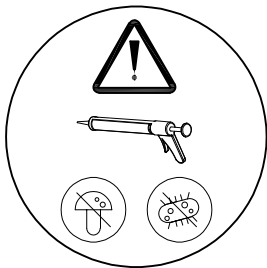
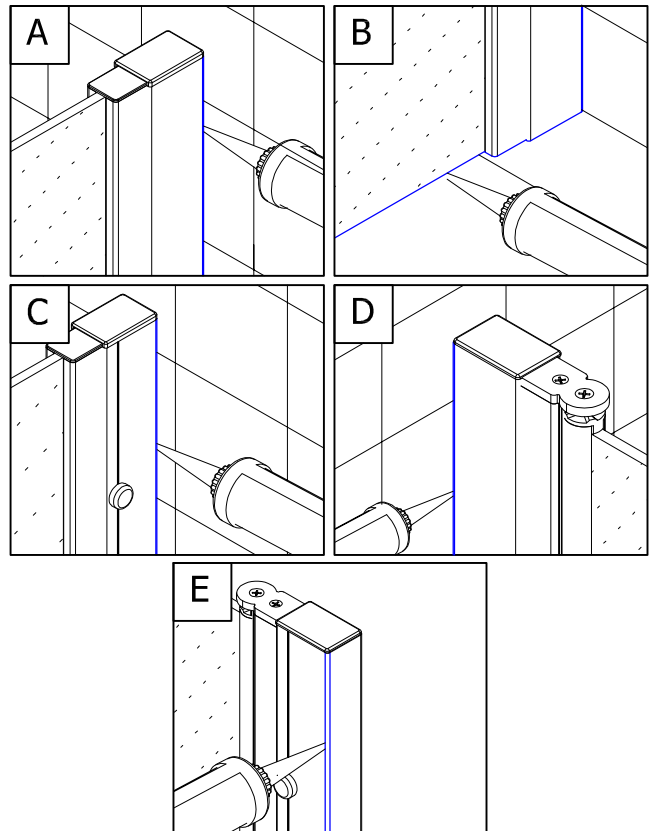
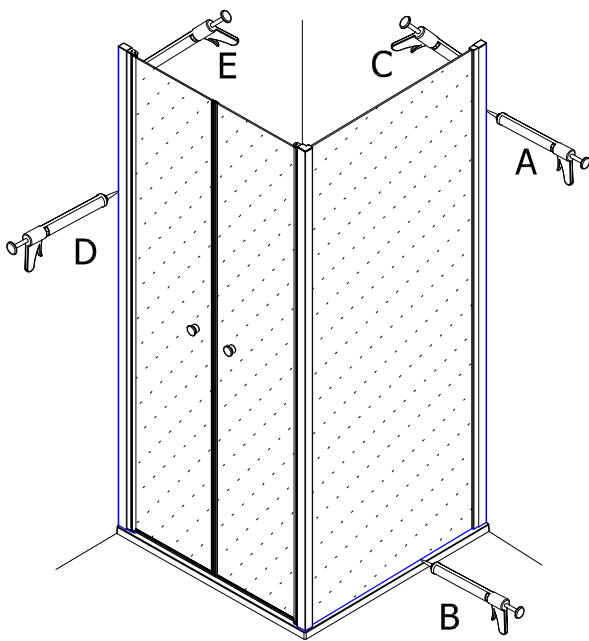


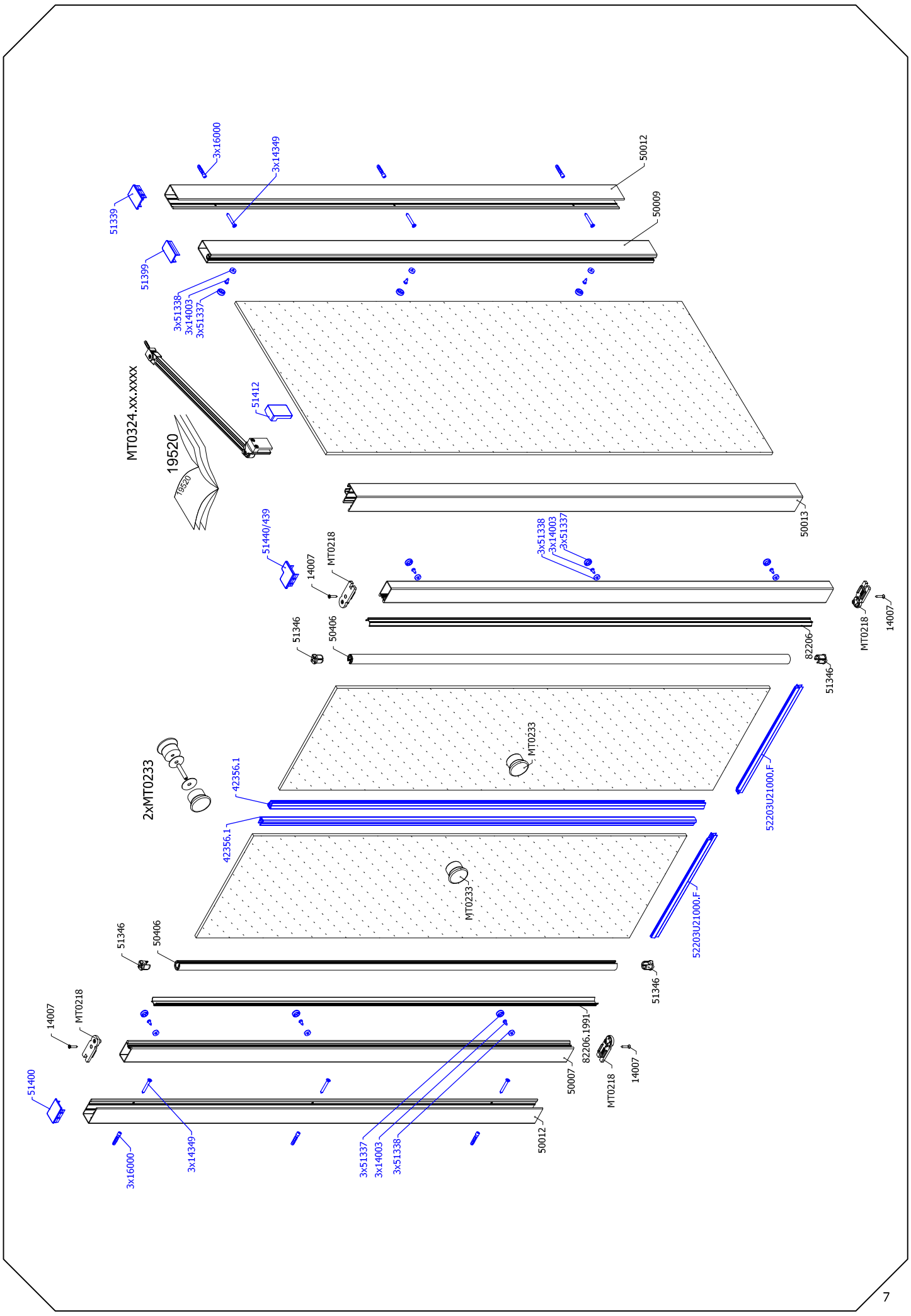


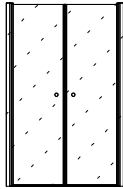
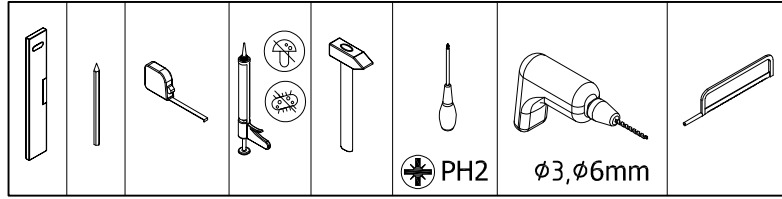
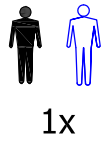
8.



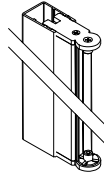
9.







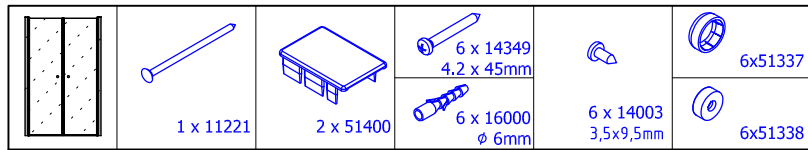
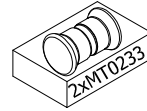
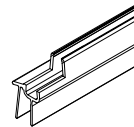
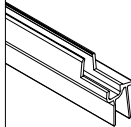
2x50007E
(50012+50007)



2x42356.1

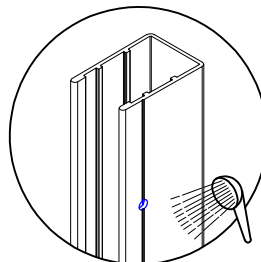
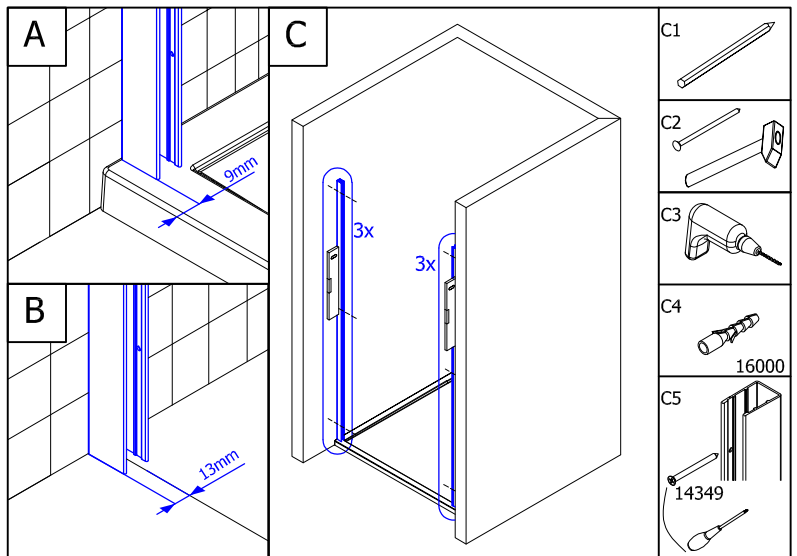
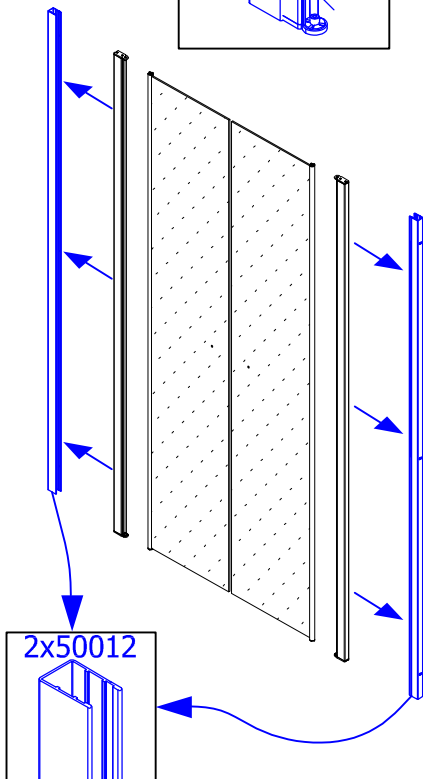
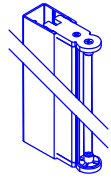


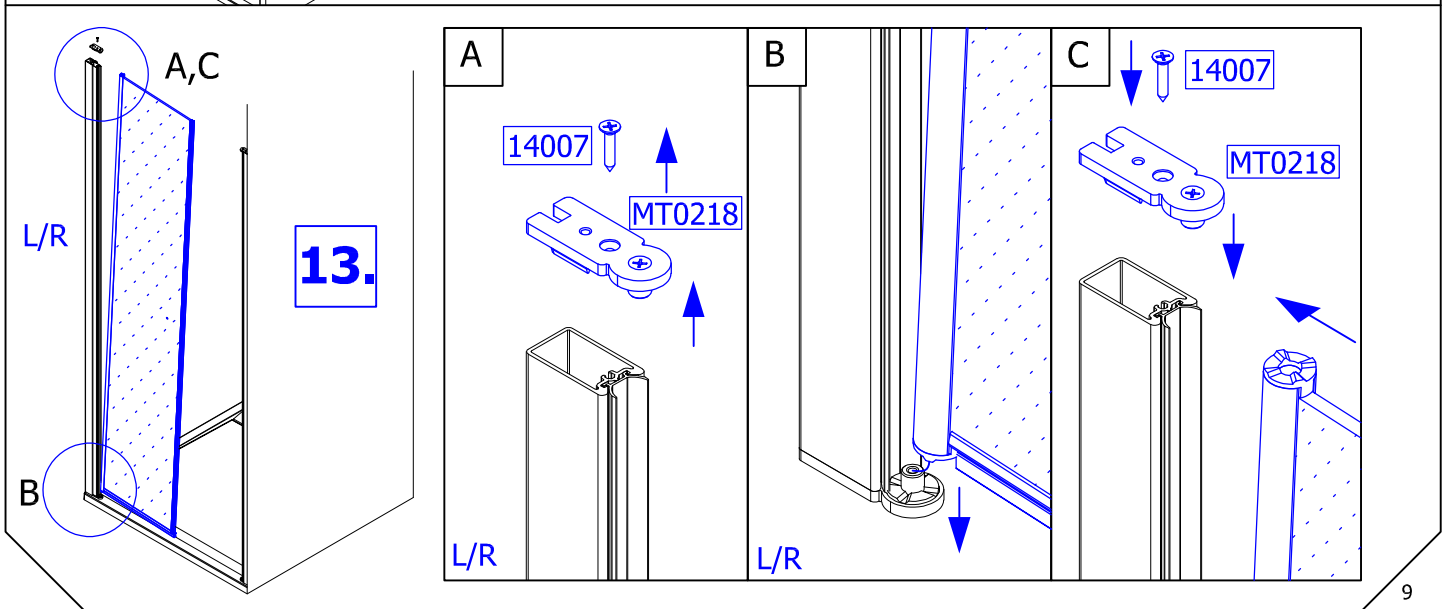
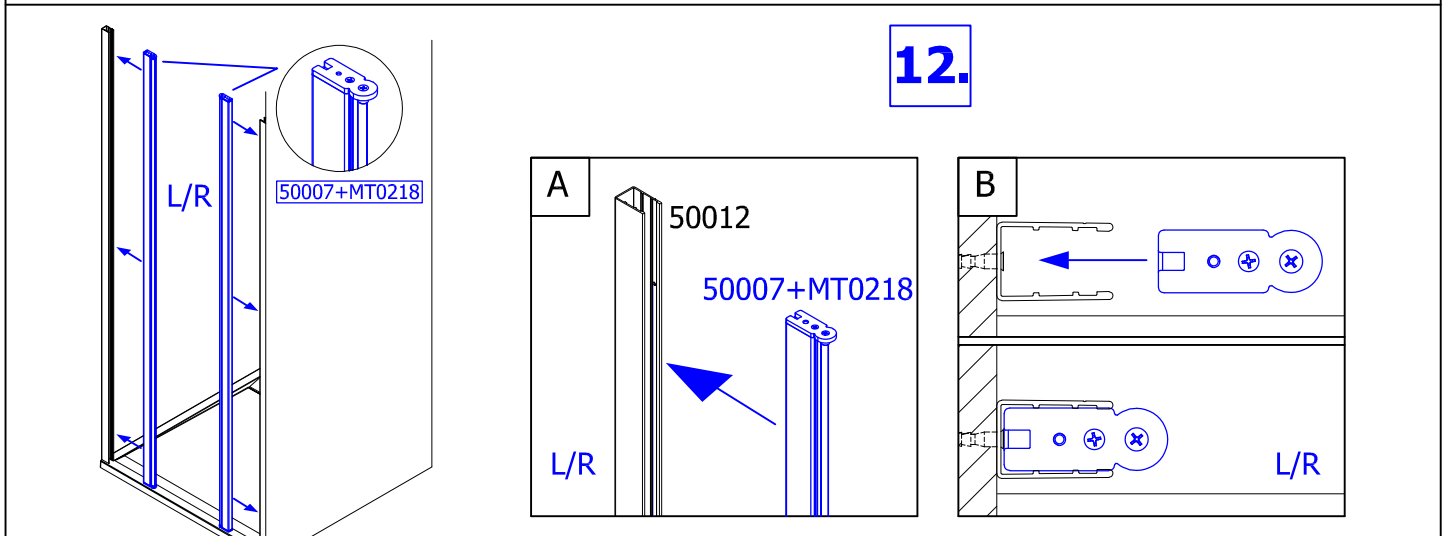
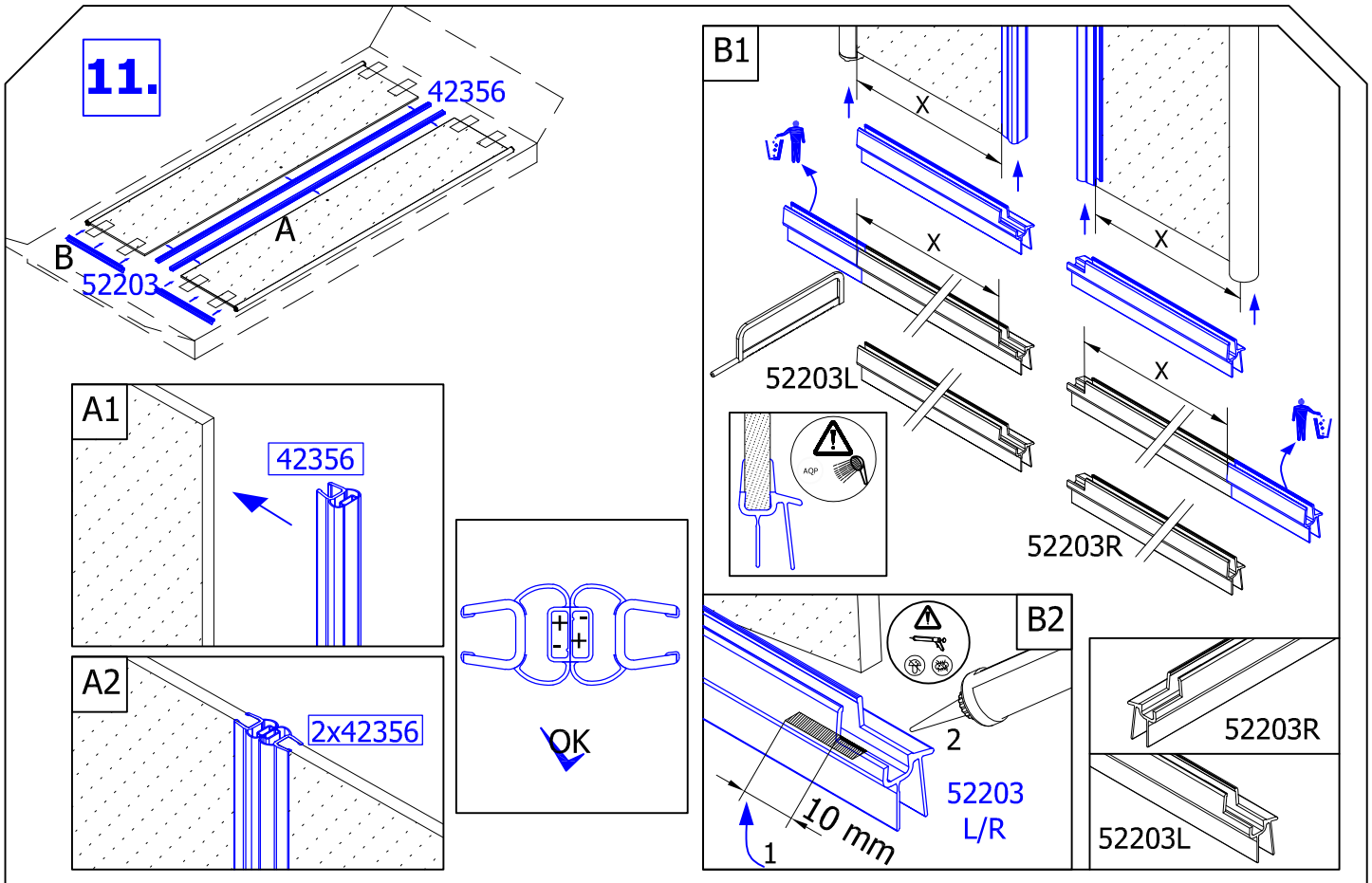
2x52203U21000.F



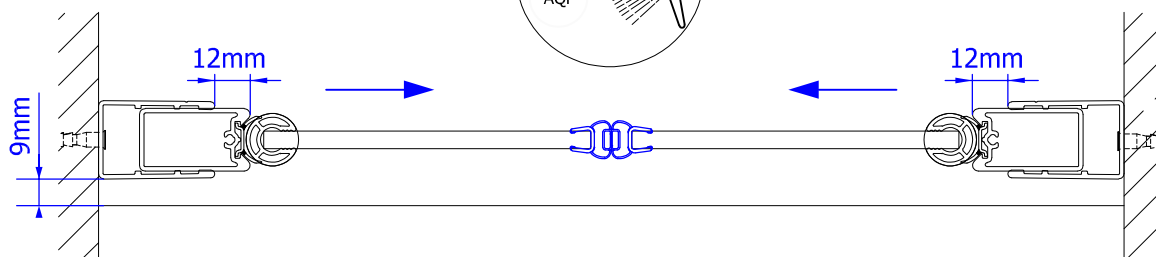
10.

2x50007E
(50012+50007)

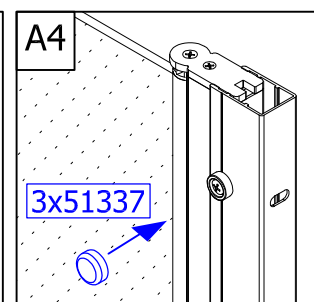
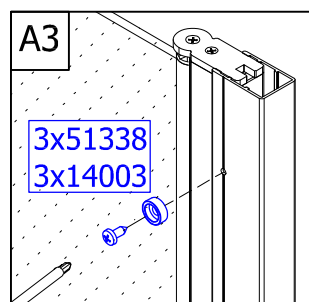
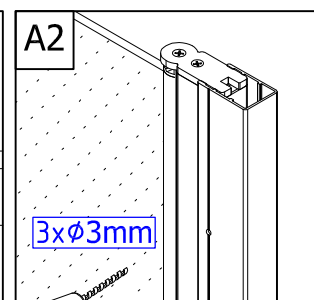
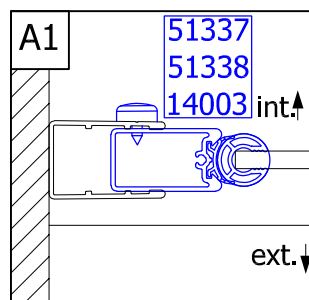
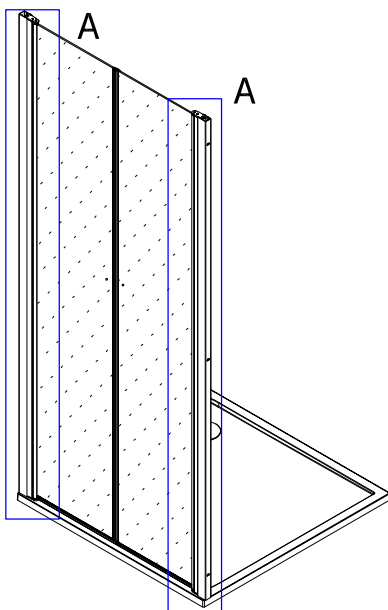




14.



15.



16.

