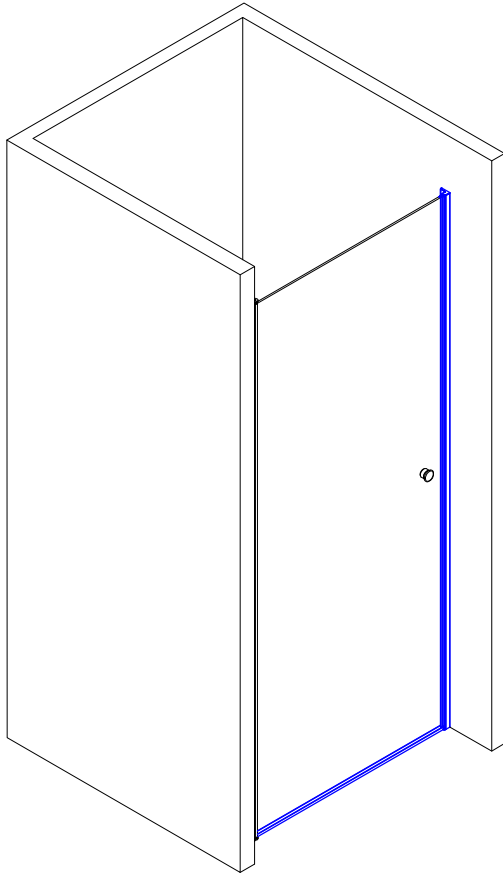
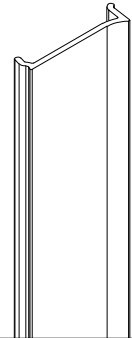
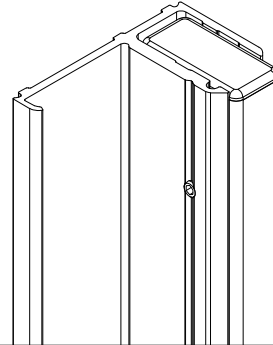


19541



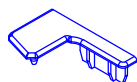
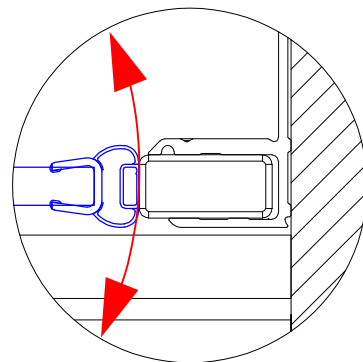
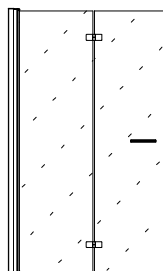
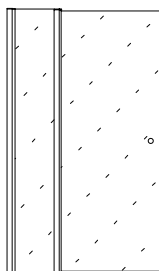
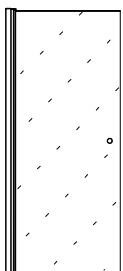
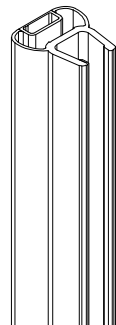
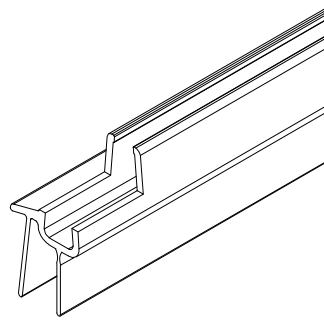
50444E+50017E

62100.x.x

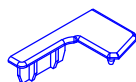


52203U21000.F

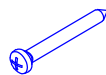
42356.1



1x51260



1x51261



3x14118
4.2 x 32mm



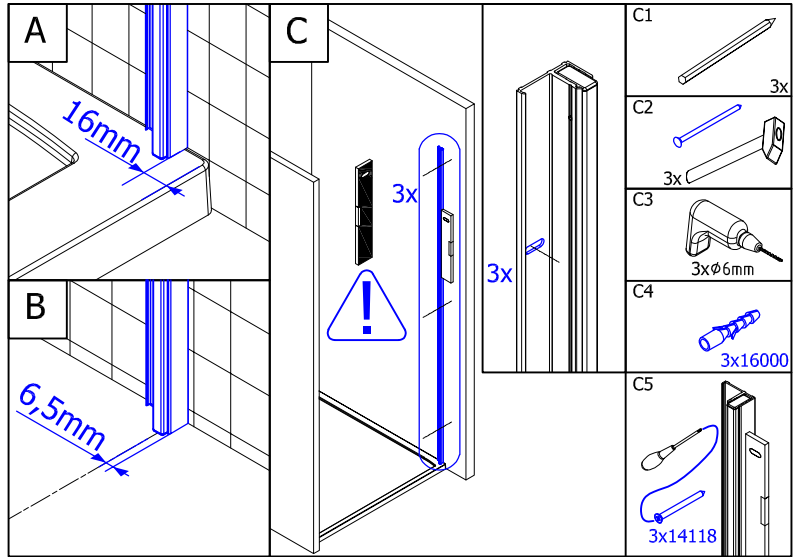
3x16000



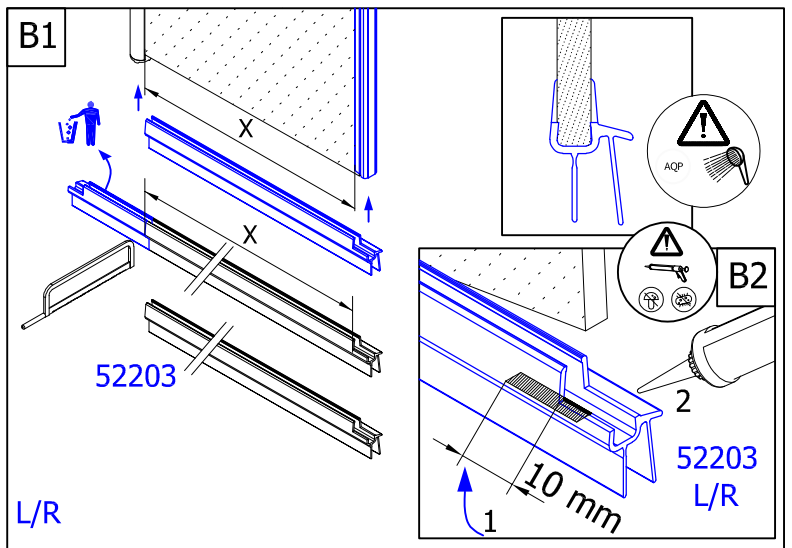
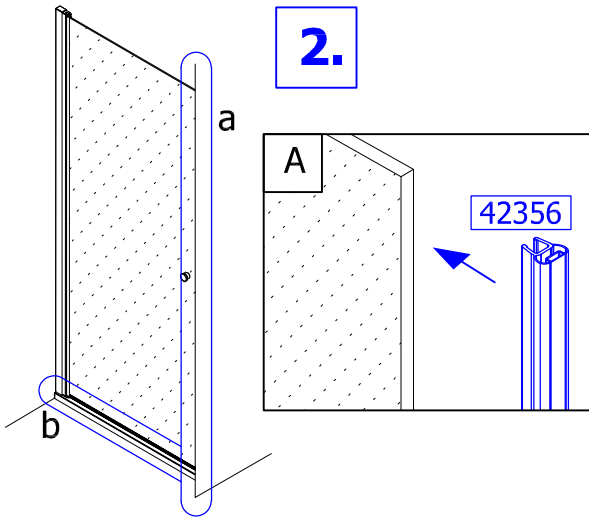
1x17157
1,5mm

1.

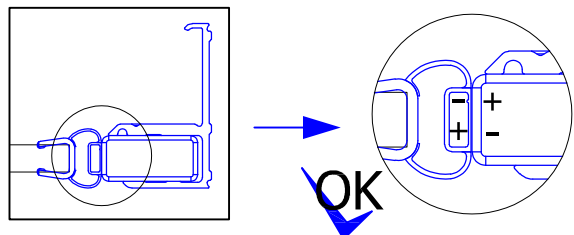
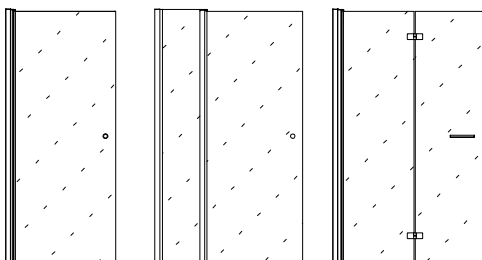
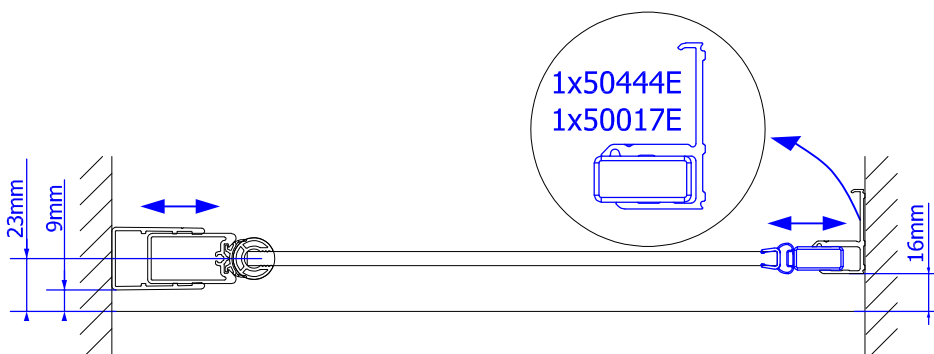
1x50444E
1x50017E



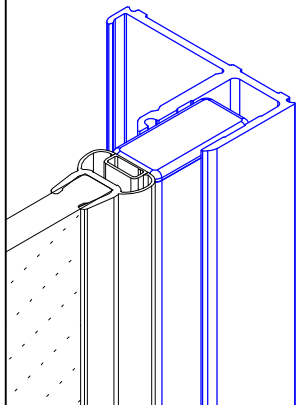
2.



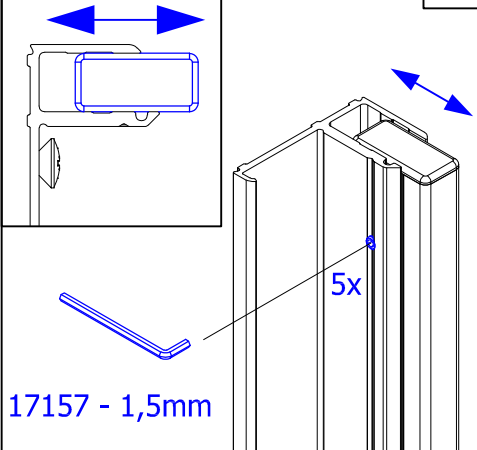
3.



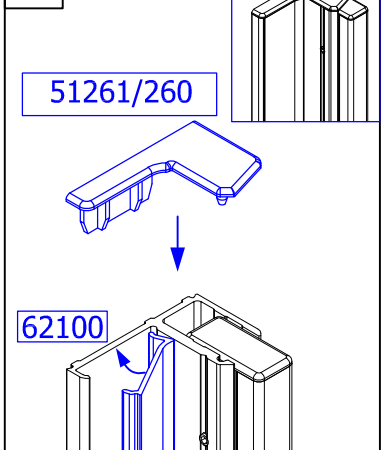
A



A1



A2



4.

