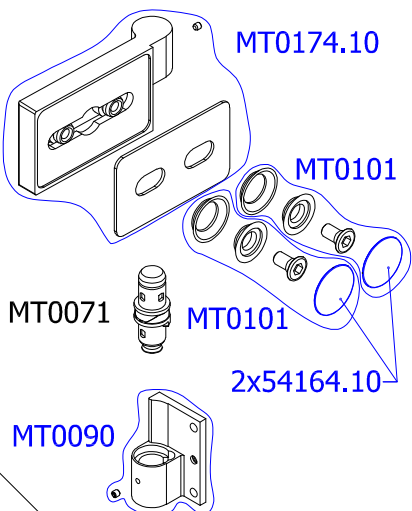
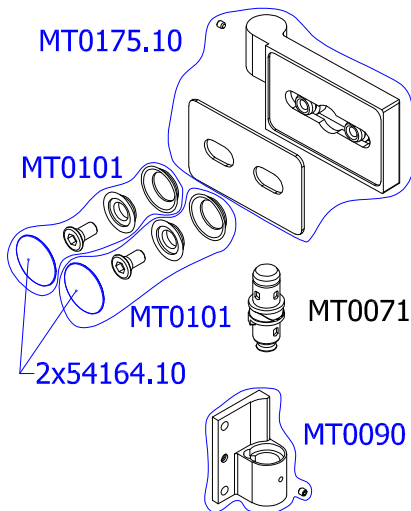


DETAIL A - L



DETAIL A - R



DETAIL B - L/R

